

REVISIONS

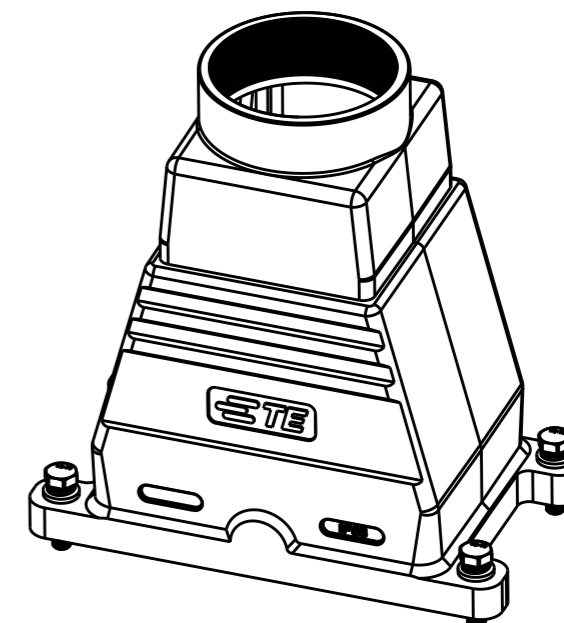
P	LTR	DESCRIPTION	DATE	DWN	APVD
	A	INITIAL	28JUL2016	QY	CW

NOTES:

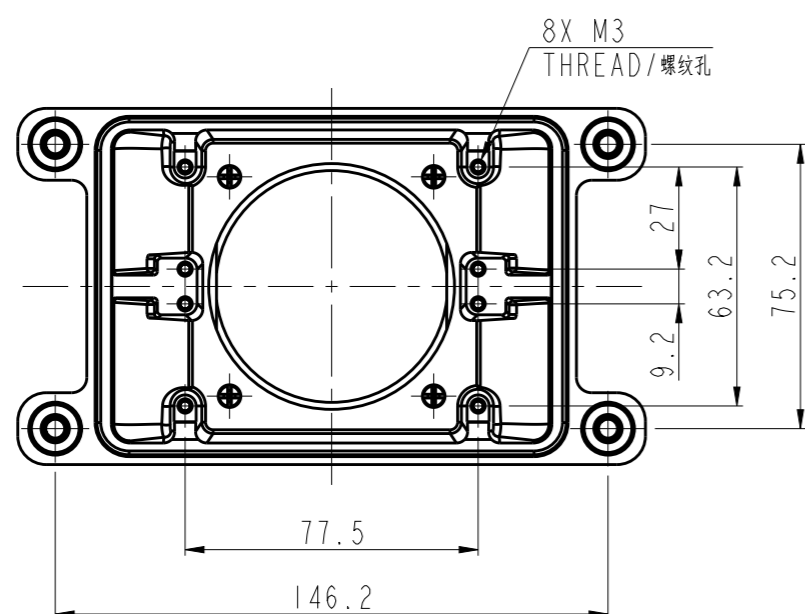
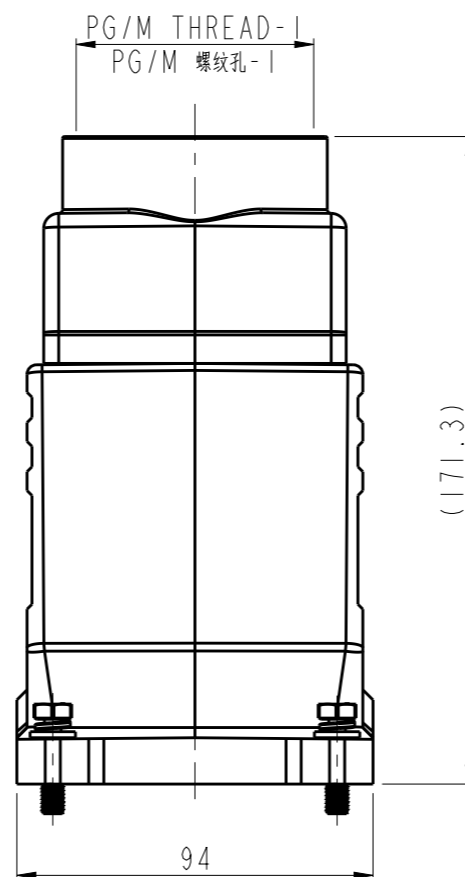
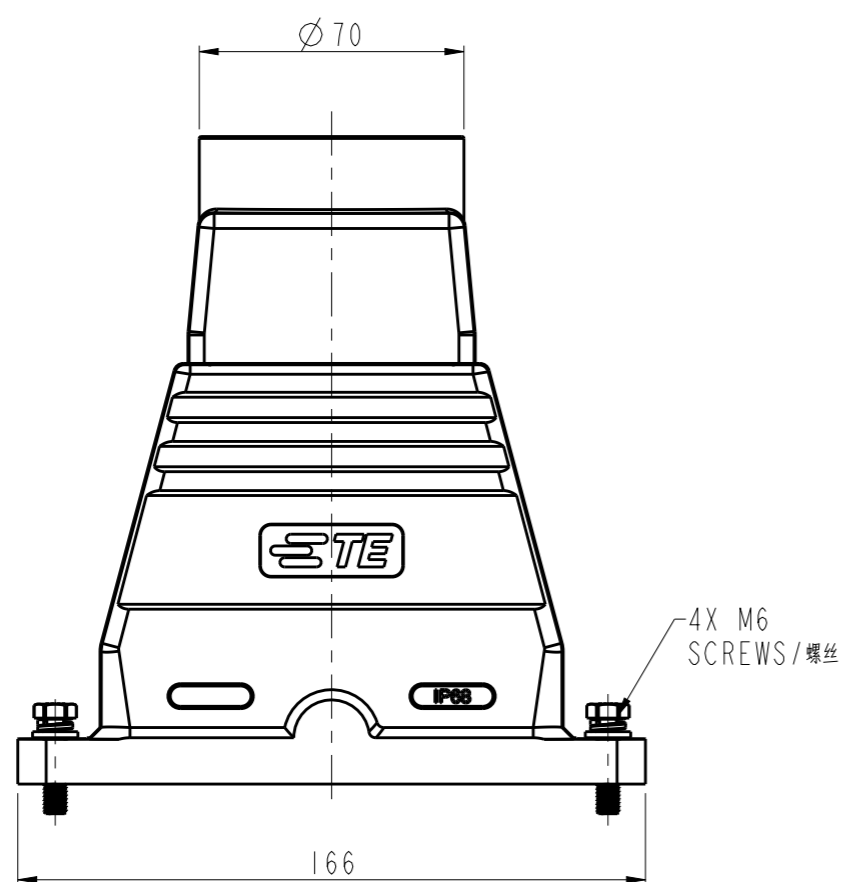
- 1. TECHNICAL CHARACTERISTICS:
HOOD MATERIAL: DIE CAST ALUMINIUM ALLOY
SURFACE: POWDER COATED, BLACK
DEGREE OF PROTECTION: IP68 (MATED)

注释:

- 1. 技术参数:
上壳材料: 铝合金
表面处理: 黑色粉末喷涂
防护等级: IP68(配合)



SCALE 2:5



T1926320163-001	H32BPR-TGXH-4S-M63	H32BPR HEIGHTEN HOOD, QUADRANGE LOCKING, TOP ENTRY M63, POWDER COATED, BLACK H32BPR四角锁定加高上壳, 顶出M63, 黑色粉末喷涂	M63
T1926320150-001	H32BPR-TGXH-4S-M50	H32BPR HEIGHTEN HOOD, QUADRANGE LOCKING, TOP ENTRY M50, POWDER COATED, BLACK H32BPR四角锁定加高上壳, 顶出M50, 黑色粉末喷涂	M50
PART NUMBER 料号	PART DESCRIPTION 描述		PG/M THREAD-1 PG/M 螺纹孔-1

THIS DRAWING IS A CONTROLLED DOCUMENT.

DIMENSIONS:	TOLERANCES UNLESS OTHERWISE SPECIFIED:
mm	
	0 PLC ±-
	1 PLC ±-
	2 PLC ±-
	3 PLC ±-
	4 PLC ±-
	ANGLES ±-
MATERIAL	FINISH
-	-
-	-

DWN	28JUL2016
CHK	28JUL2016
APVD	28JUL2016
PRODUCT SPEC	108-137014
APPLICATION SPEC	114-137014
WEIGHT	-
CUSTOMER DRAWING	

TE Connectivity		NAME		H32BPR-TGXH-4S-PG/M	
		SIZE	CAGE CODE	DRAWING NO	RESTRICTED TO
A3	-	©-T19263201XX001	-		
SCALE 1:2		SHEET 1 OF 1	REV A		