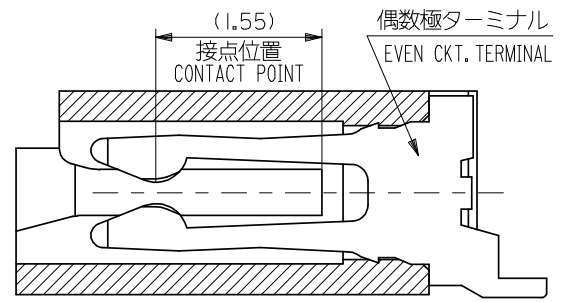


SECT. M-M
SCALE 20:1

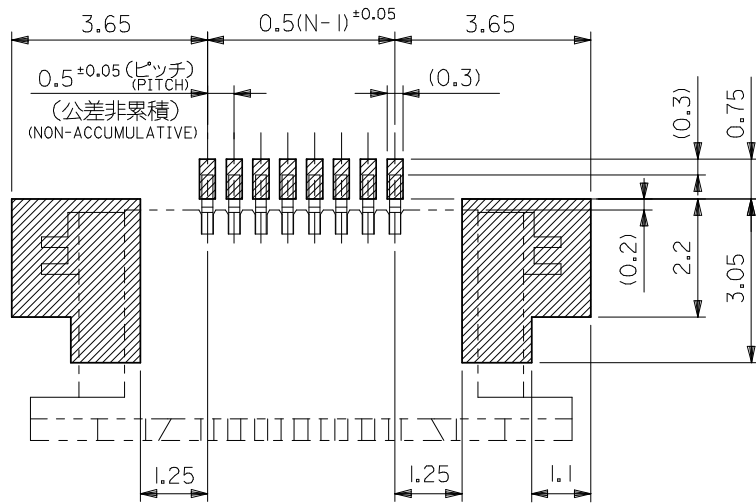


SECT. F-F
SCALE 20:1

- 注記(NOTES)
1. 使用材料 (MATERIAL)
 ターミナル (TERMINAL): リン青銅、ニッケル下地 金メッキ (接点部)、錫メッキ (テール部)
 (PHOSPHOR BRONZE t=0.2, GOLD (CONTACT), TIN (TAIL) PLATING OVER NICKEL)
 ハウジング (HOUSING): 46ナイロン (46NYLON), UL 94V-0
 金具 (FITTING NAIL): リン青銅、ニッケル下地、錫メッキ
 (PHOSPHOR BRONZE t=0.2, TIN PLATING OVER NICKEL)
 2. パターン剥離止め用金具。
 (FITTING NAIL FOR PREVENTION OF PEELING OFF PCB. PATTERN.)
 3. ソルダータール半田付け面のズレ量、及び金具半田付け面のズレ量は、基準面 $\square L$ に対し上方向 0.1MAX.、下方向 0.15MAX. とする。
 MISALIGNMENT OF SOLDER TAILS AND FITTING NAILS FROM $\square L$.
 UPPER DIRECTION 0.1MAX., LOWER DIRECTION 0.15MAX.
 4. 偶数極に適用。(TO BE APPLIED ONLY WHEN ALL CKTS. ARE EVEN.)
 5. 本製品は 52689-***40 の鉛フリー (部分金メッキ) 品である。
 THIS PRODUCT IS LEAD FREE OF 52689-***40 (CONTACT GOLD PLATING).

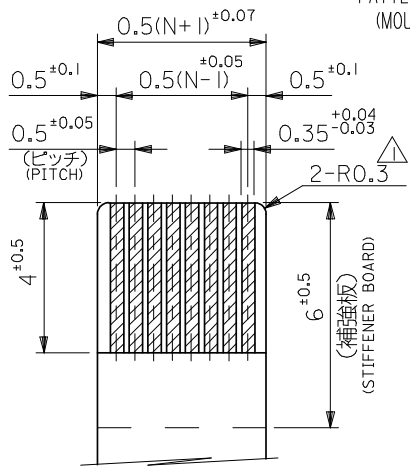
52689-***66 MODEL NO.

REVISED EC NO: J2008-4308 DRWN: NABEI 2008/06/27 CHKD: THARUYAMA 2008/06/30 APPR: NUKITA 2008/06/30	GENERAL TOLERANCES (UNLESS SPECIFIED)		DIMENSION STYLE MM ONLY		SCALE ---	DESIGN UNITS METRIC	THIRD ANGLE PROJECTION	
	10 UNDER	± 0.2	DRAWN BY M. NABEI	DATE '04/08/06	TITLE 0.5 FPC CONN NON ZIF HSG ASSY FOR SMT(R/A) -LEAD FREE-			
	10 OVER 30 UNDER	± 0.25	CHECKED BY K. TOJO	DATE '04/08/06	MOLEX INCORPORATED			
	30 OVER	± 0.3	APPROVED BY N. UKITA	DATE '04/08/06	DOCUMENT NO. SD-52689-040		SHEET NO. 1 OF 2	
	ANGULAR ± 3 °		MATERIAL NO. SEE SHEET 2					
DRAFT WHERE APPLICABLE MUST REMAIN WITHIN DIMENSIONS		THIS DRAWING CONTAINS INFORMATION THAT IS PROPRIETARY TO MOLEX INCORPORATED AND SHOULD NOT BE USED WITHOUT WRITTEN PERMISSION						



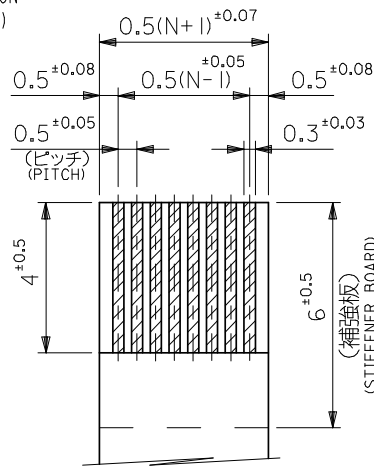
参考基板レイアウト
(マウント面)

REFERENCE P.C. BOARD
PATTERN DIMENSION
(MOUNTING SIDE)



適合FPC推奨寸法
APPLICABLE FPC
RECOMMENDED DIMENSION

(仕上がり厚さ: 0.3 ± 0.03)
(THICKNESS: 0.3 ± 0.03)



適合FFC推奨寸法
APPLICABLE FFC
RECOMMENDED DIMENSION

(仕上がり厚さ: 0.3 ± 0.03)
(THICKNESS: 0.3 ± 0.03)

注記 NOTES

△ R0.3は、FPCの導体部にかからないこと。
R0.3 MUST NOT BE OVERLAPPED TO PATTERN OF FPC.

FPCについて:

打抜き方向は導体側から補強板側を推奨致します。
補強フィルム材質はポリイミドを推奨致します。
接着剤は熱硬化接着剤を推奨致します。

ABOUT FPC:

RECOMMENDED PUNCHER DIRECTION : FROM CONDUCTOR SIDE TO STIFFENER BOARD SIDE.

RECOMMENDED MATERIAL:

STIFFENER FILM : POLYIMIDE
BONDING AGENT : THERMOSETTING BONDING AGENT

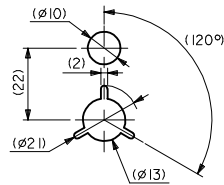
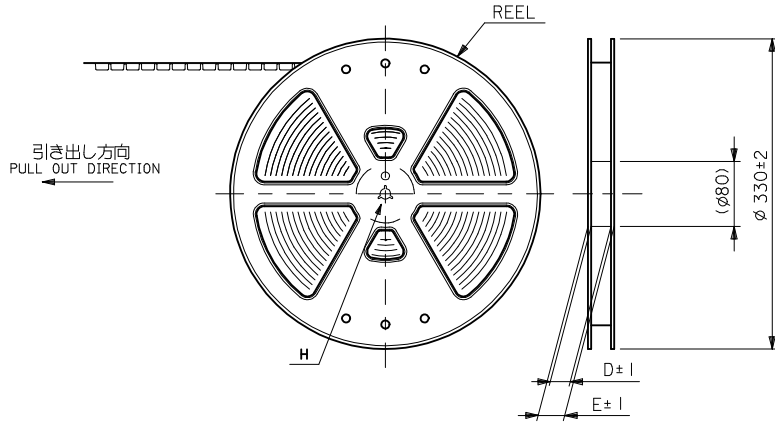
17.6	21.1	19.3	15.5	14.5	52689-3075	52689-3066	30
16.6	20.1	18.3	14.5	13.5	-2875	-2866	28
15.6	19.1	17.3	13.5	12.5	-2675	-2666	26
15.1	18.6	16.8	13.0	12.0	-2575	-2566	25
14.6	18.1	16.3	12.5	11.5	-2475	-2466	24
14.1	17.6	15.8	12.0	11.0	-2375	-2366	23
13.6	17.1	15.3	11.5	10.5	-2275	-2266	22
13.1	16.6	14.8	11.0	10.0	-2175	-2166	21
12.6	16.1	14.3	10.5	9.5	-2075	-2066	20
12.1	15.6	13.8	10.0	9.0	-1975	-1966	19
11.6	15.1	13.3	9.5	8.5	-1875	-1866	18
10.6	14.1	12.3	8.5	7.5	-1675	-1666	16
10.1	13.6	11.8	8.0	7.0	-1575	-1566	15
9.6	13.1	11.3	7.5	6.5	-1475	-1466	14
9.1	12.6	10.8	7.0	6.0	-1375	-1366	13
8.6	12.1	10.3	6.5	5.5	-1275	-1266	12
8.1	11.6	9.8	6.0	5.0	-1175	-1166	11
7.6	11.1	9.3	5.5	4.5	-1075	-1066	10
6.6	10.1	8.3	4.5	3.5	-0875	-0866	8
6.1	9.6	7.8	4.0	3.0	-0775	-0766	7
5.6	9.1	7.3	3.5	2.5	-0675	-0666	6
5.1	8.6	6.8	3.0	2.0	52689-0575	52689-0566	5

52689-**66	W	D	C	B	A	EMBOSSED TAPE	MATERIAL NO.	極数 CKT.
MODEL NO.						ORDER No. オーダー番号		

REVISED EC NO: J2008-4308 DRWN: MNABEI 2008/06/27 CH'KD: THARUYAMA 2008/06/30 APPR: NUKITA 2008/06/30	GENERAL TOLERANCES (UNLESS SPECIFIED)		DIMENSION STYLE MM ONLY		SCALE ---	DESIGN UNITS METRIC	THIRD ANGLE PROJECTION	
	10 UNDER	± 0.2	DRAWN BY MNABEI	DATE '04/08/06	TITLE 0.5 FPC CONN NON ZIF HSG ASSY FOR SMT(R/A) -LEAD FREE-			
	10 OVER 30 UNDER	± 0.25	CHECKED BY KTOJO	DATE '04/08/06	MOLEX INCORPORATED			
	30 OVER	± 0.3	APPROVED BY NUKITA	DATE '04/08/06	DOCUMENT NO. SD-52689-040		SHEET NO. 2 OF 2	
	ANGULAR	± 3 °	MATERIAL NO. SEE TABLE		THIS DRAWING CONTAINS INFORMATION THAT IS PROPRIETARY TO MOLEX INCORPORATED AND SHOULD NOT BE USED WITHOUT WRITTEN PERMISSION			

注記 NOTES

- 製品詳細寸法については図面 SD-52689-040 を参照下さい。
RE DETAILED DIMENSION,SEE SD-52689-040.
- 梱包数量：1000個/リール
NUMBER OF CONNECTORS:1000PCS/REEL
- リードテープ長さ LEAD TAPE LENGTH



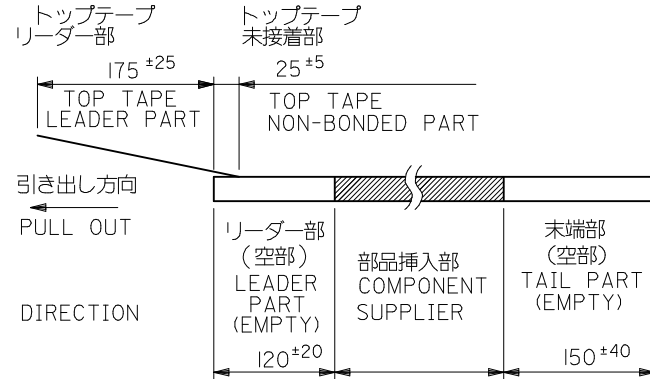
DETAIL H

5. 材料 キャリアテープ：ポリプロピレン (PP)
 トップテープ：PET, PE, PEF
 リール：ポリスチレン (PS)

MATERIAL CARRIER TAPE:POLYPROPYLENE
 TOP TAPE:PET,PE,PEF
 REEL:POLYSTYRENE

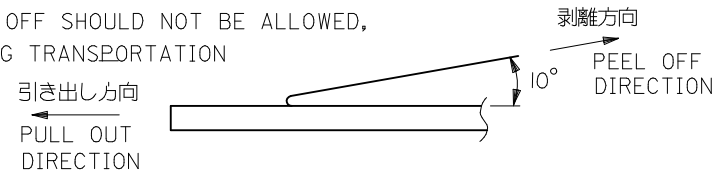
6. 本製品は 52689-**97 の鉛フリー(部分金メッキ)品である。
 THIS PRODUCT IS LEAD FREE OF 52689-**97 (CONTACT GOLD PLATING).

7. 本製品は乾燥剤入り、ハイバリア梱包仕様である。
 THIS PRODUCT IS HIGH BARRIER PACKAGE WITH DESICCANT.



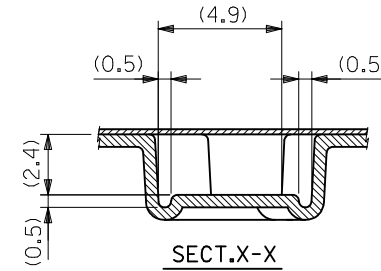
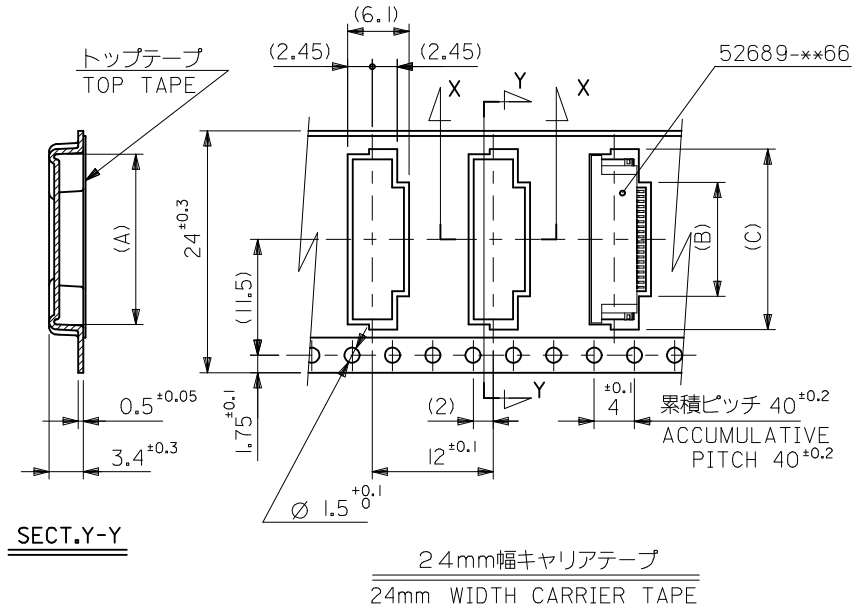
- トップテープの剥離強度：(剥離方向は下図参照)
 0.1~1.3N {10~130gf} 尚、本規格値は、出荷時に適用。
 (但し、輸送時に剥離が発生しない事。)

PEELING OFF FORCE OF TOP TAPE
 0.1~1.3N {10~130gf}(PEELING DIRECTION AS SHOWN IN FOLLOWING FIG.)
 THIS REQUIREMENT SHOULD BE APPLIED AT SHIPMENT
 PEEL OFF SHOULD NOT BE ALLOWED,
 DURING TRANSPORTATION



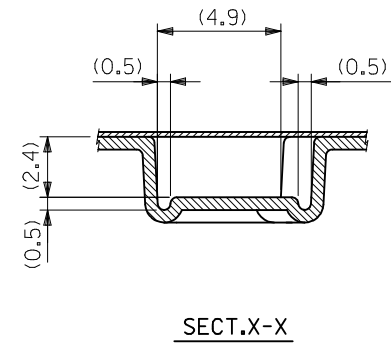
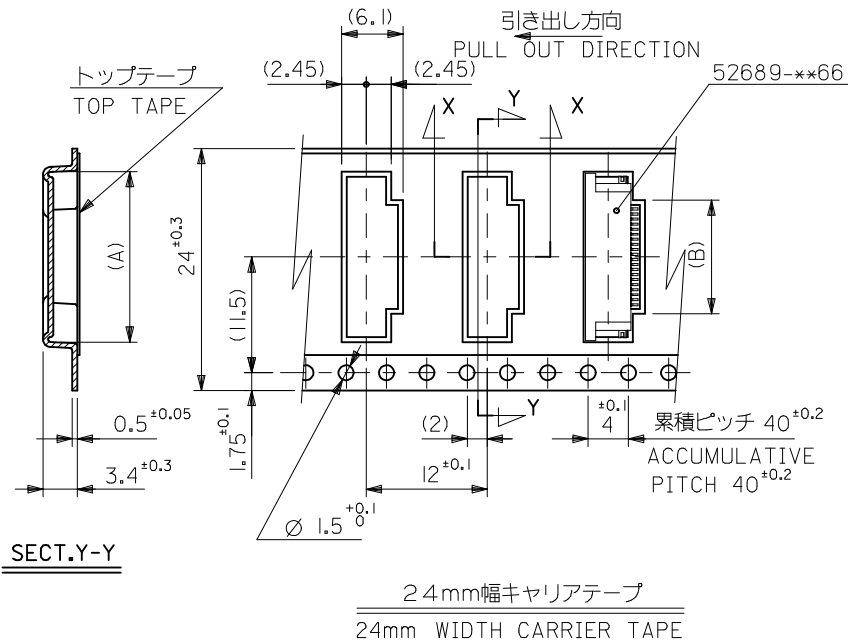
REVISED EC NO: J2009-2061 DRWN:TKON 2009/05/20 CHKD:HATSUMOTO 2009/05/21 APPR:NUKITA 2009/05/21	DESCRIPTION	GENERAL TOLERANCES (UNLESS SPECIFIED)		DIMENSION STYLE MM ONLY		SCALE ---	52689-**75	MODEL NO.
		10 UNDER ±---		DRAWN BY MNABEI	DATE '04/08/06	TITLE EMBOSSED TAPE PACKAGE FOR 52689-**66 -LEAD FREE-	DESIGN UNITS METRIC	THIRD ANGLE PROJECTION
		10 OVER 30 UNDER ±---		CHECKED BY KTOJO	DATE '04/08/06	MOLEX MOLEX INCORPORATED	DOCUMENT NO. SD-52689-041	SHEET NO. 1 OF 4
		30 OVER ±---		APPROVED BY NUKITA	DATE '04/08/06			
REV	REV	ANGULAR ±---°	MATERIAL NO. SEE TABLE					
DRAFT WHERE APPLICABLE MUST REMAIN WITHIN DIMENSIONS		THIS DRAWING CONTAINS INFORMATION THAT IS PROPRIETARY TO MOLEX INCORPORATED AND SHOULD NOT BE USED WITHOUT WRITTEN PERMISSION						

引き出し方向 PULL OUT DIRECTION



24	29.4	25.4	17.9	11.3	16.9	52689-2175	21
			17.4	10.8	16.4	-2075	20
			16.9	10.3	15.9	-1975	19
			16.4	9.8	15.4	-1875	18
			15.4	8.8	14.4	-1675	16
			14.9	8.3	13.9	-1575	15
			14.4	7.8	13.4	-1475	14
			13.9	7.3	12.9	-1375	13
			13.4	6.8	12.4	-1275	12
			12.9	6.3	11.9	-1175	11
			12.4	5.8	11.4	-1075	10
			11.4	4.8	10.4	-0875	8
			10.9	4.3	9.9	-0775	7
10.4	3.8	9.4	-0675	6			
9.9	3.3	8.9	52689-0575	5			
キャリアテープ幅 CARRIER TAPE WIDTH			(C)	(B)	(A)	MATERIAL NO.	CIRCUIT

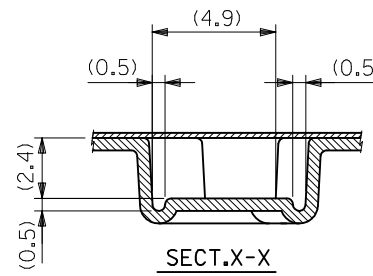
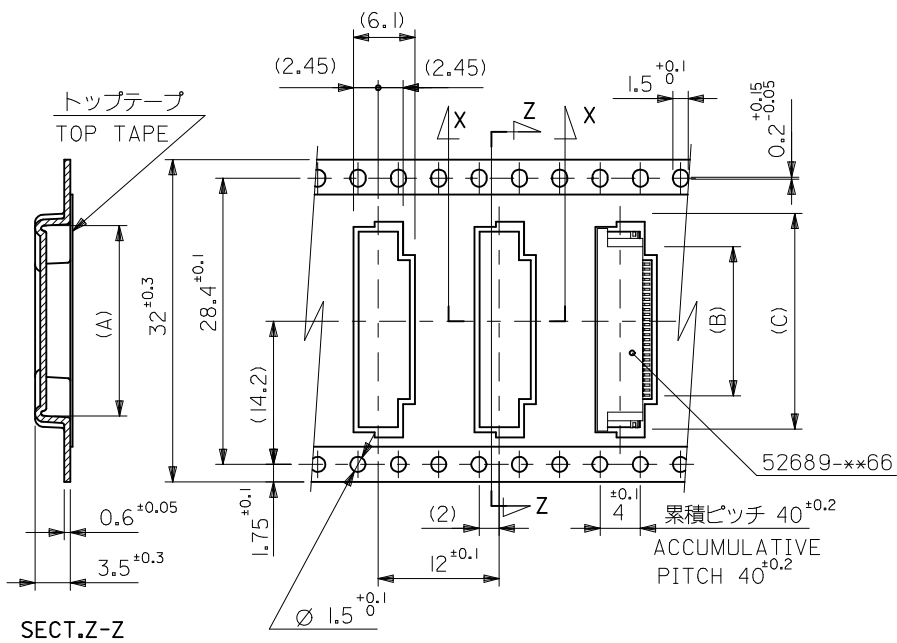
REVISED EC NO: J2009-2061 DRWN:TKON 2009/05/20 CHKD:HMATSUMOTO 2009/05/21 APPR:NUKITA 2009/05/21	GENERAL TOLERANCES (UNLESS SPECIFIED)		DIMENSION STYLE MM ONLY		SCALE ---	DESIGN UNITS METRIC	THIRD ANGLE PROJECTION
	10 UNDER	± ---	DRAWN BY MNABEI	DATE '04/08/06	TITLE EMBOSSED TAPE PACKAGE FOR 52689-**66 -LEAD FREE-		
	10 OVER 30 UNDER	± ---	CHECKED BY KTOJO	DATE '04/08/06	MOLEX INCORPORATED		
	30 OVER	± ---	APPROVED BY NUKITA	DATE '04/08/06	MATERIAL NO. SEE TABLE	DOCUMENT NO. SD-52689-041	SHEET NO. 2 OF 4
	ANGULAR ± --- °	THIS DRAWING CONTAINS INFORMATION THAT IS PROPRIETARY TO MOLEX INCORPORATED AND SHOULD NOT BE USED WITHOUT WRITTEN PERMISSION					
	DRAFT WHERE APPLICABLE MUST REMAIN WITHIN DIMENSIONS						



24	29.4	25.4	11.8	17.4	52689-2275	22
キャリアテープ幅 CARRIER TAPE WIDTH	E	D	(B)	(A)	MATERIAL NO.	極数 CIRCUIT

REVISED EC NO.: J2009-2061 DRWN:TKON 2009/05/20 CHKD: 2009/05/21 APPR:NUKITA 2009/05/21 REV:	GENERAL TOLERANCES (UNLESS SPECIFIED)		DIMENSION STYLE MM ONLY	SCALE ---	DESIGN UNITS METRIC	THIRD ANGLE PROJECTION
	10 UNDER	±---	DRAWN BY MNABEI	DATE '04/08/06	TITLE EMBOSSED TAPE PACKAGE FOR 52689-***66 -LEAD FREE-	
	10 OVER 30 UNDER	±---	CHECKED BY KTOJO	DATE '04/08/06	MOLEX INCORPORATED	
	30 OVER	±---	APPROVED BY NUKITA	DATE '04/08/06	MATERIAL NO. SEE TABLE	DOCUMENT NO. SD-52689-041
	ANGULAR ±--- °		THIS DRAWING CONTAINS INFORMATION THAT IS PROPRIETARY TO MOLEX INCORPORATED AND SHOULD NOT BE USED WITHOUT WRITTEN PERMISSION			
	DRAFT WHERE APPLICABLE MUST REMAIN WITHIN DIMENSIONS					

引き出し方向 PULL OUT DIRECTION



32mm幅キャリアテープ
32mm WIDTH CARRIER TAPE

32	37.4	33.4	22.4	15.8	21.4	52689-3075	30
			21.4	14.8	20.4	-2875	28
			20.4	13.8	19.4	-2675	26
			19.9	13.3	18.9	-2575	25
			19.4	12.8	18.4	-2475	24
			18.9	12.3	17.9	52689-2375	23
キャリアテープ幅 CARRIER TAPE WIDTH	E	D	(C)	(B)	(A)	MATERIAL NO.	CIRCUIT

REVISED EC NO: J2009-2061 DRWN:TKON 2009/05/20 CHKD:HMATSUMOTO 2009/05/21 APPR:NUKITA 2009/05/21	GENERAL TOLERANCES (UNLESS SPECIFIED)		DIMENSION STYLE MM ONLY		SCALE ---		DESIGN UNITS METRIC		THIRD ANGLE PROJECTION		
	10 UNDER	± ---	DRAWN BY	DATE	TITLE						
	10 OVER 30 UNDER	± ---	MNABEI	'04/08/06	EMBOSSED TAPE PACKAGE FOR 52689-***66 -LEAD FREE-						
	30 OVER	± ---	CHECKED BY	DATE	MOLEX INCORPORATED						
ANGULAR ± --- °		APPROVED BY NUKITA '04/08/06		MATERIAL NO. SEE TABLE		DOCUMENT NO. SD-52689-041		SHEET NO. 4 OF 4			
DRAFT WHERE APPLICABLE MUST REMAIN WITHIN DIMENSIONS		THIS DRAWING CONTAINS INFORMATION THAT IS PROPRIETARY TO MOLEX INCORPORATED AND SHOULD NOT BE USED WITHOUT WRITTEN PERMISSION									