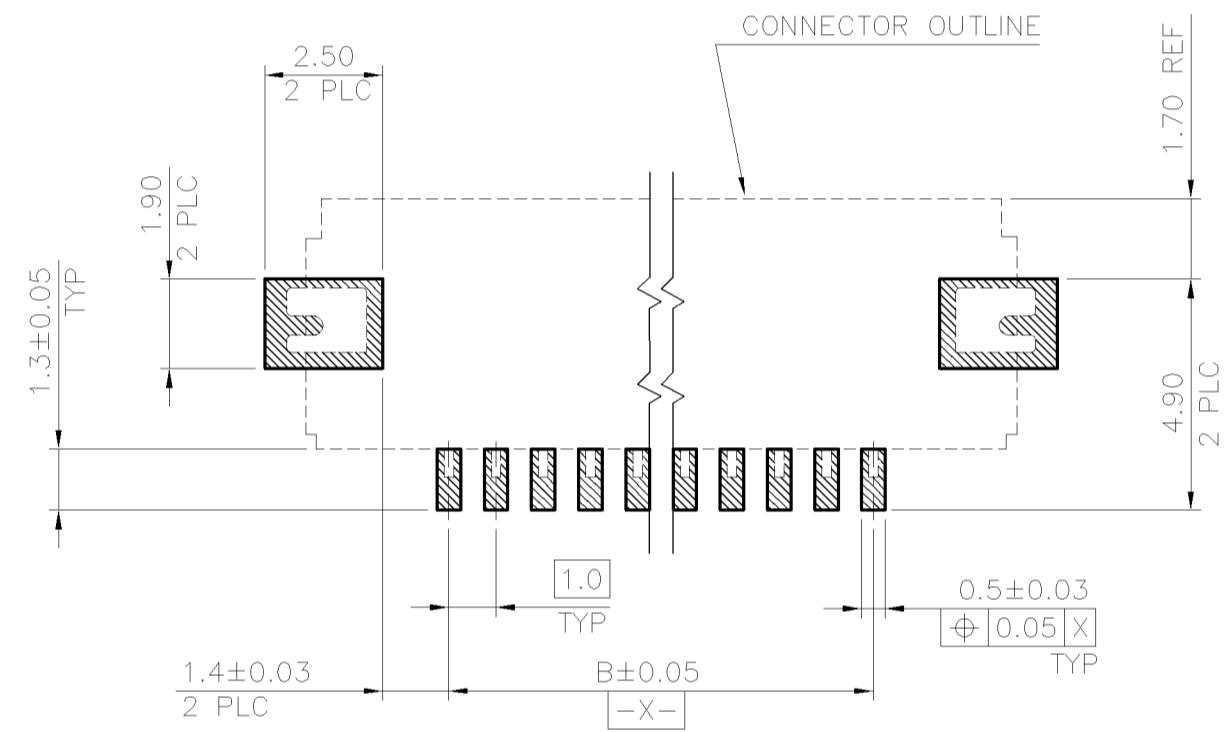
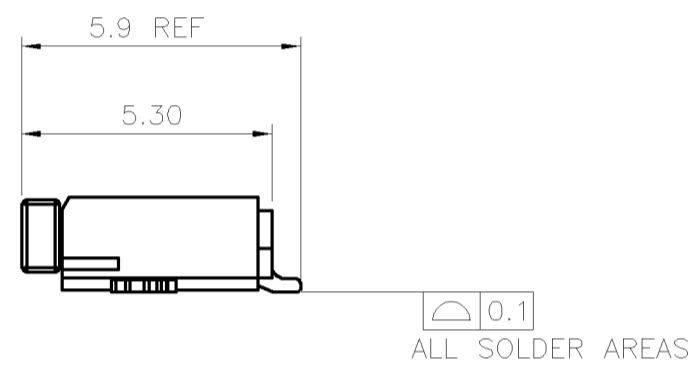
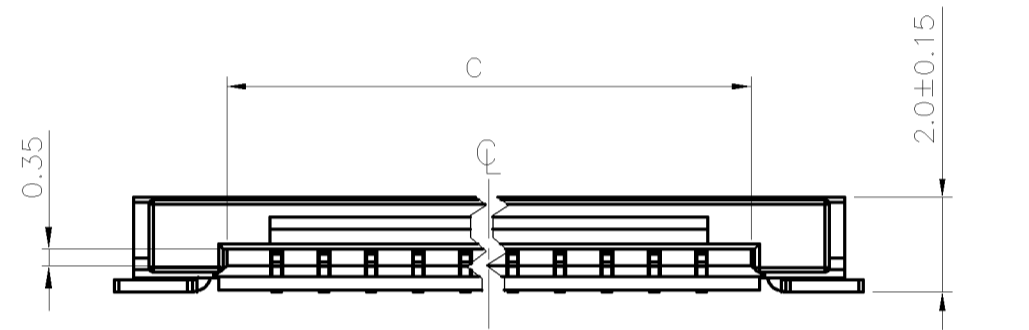
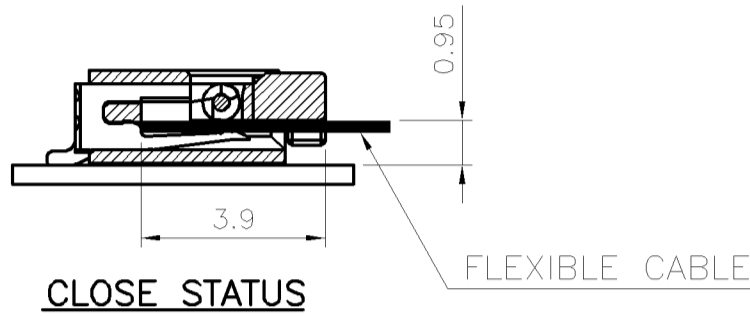
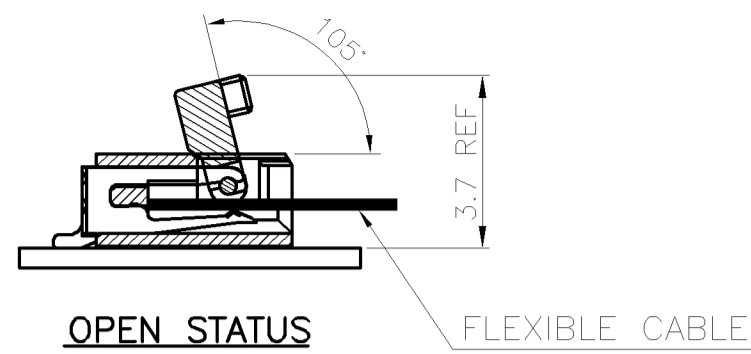
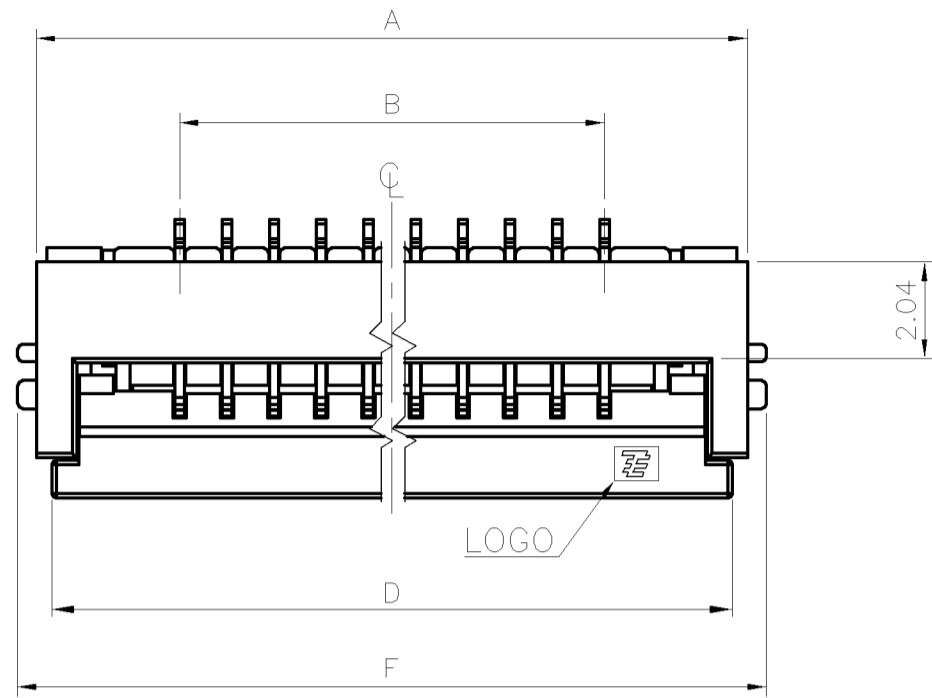


THIS DRAWING IS UNPUBLISHED. RELEASED FOR PUBLICATION  
 © COPYRIGHT 2010 BY TYCO ELECTRONICS CORPORATION. ALL RIGHTS RESERVED.

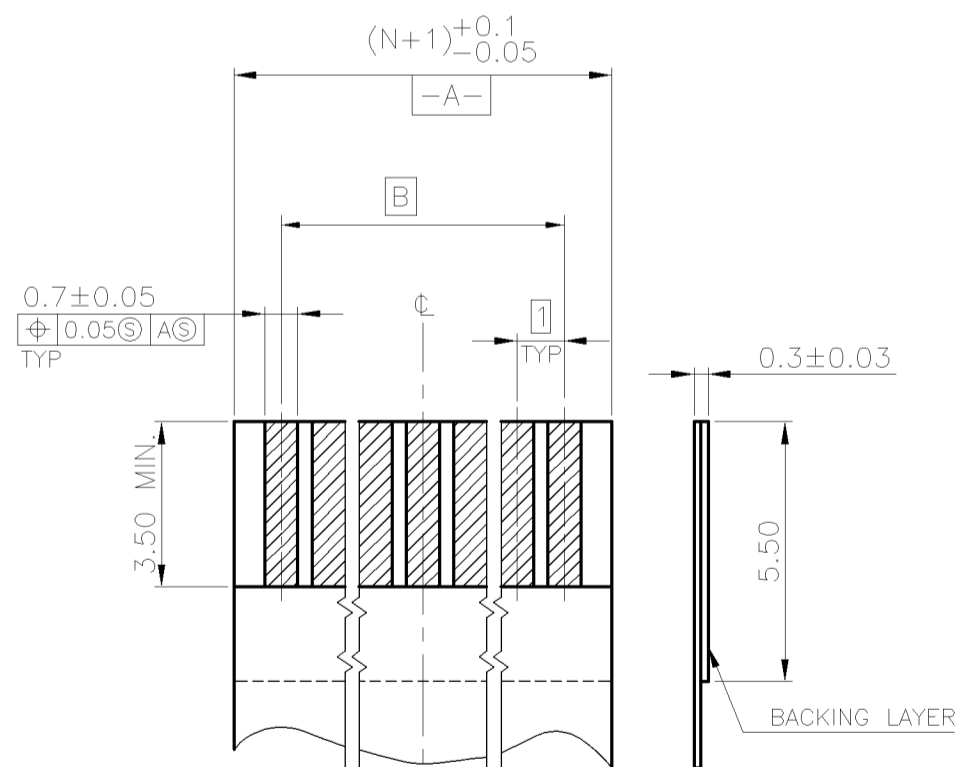
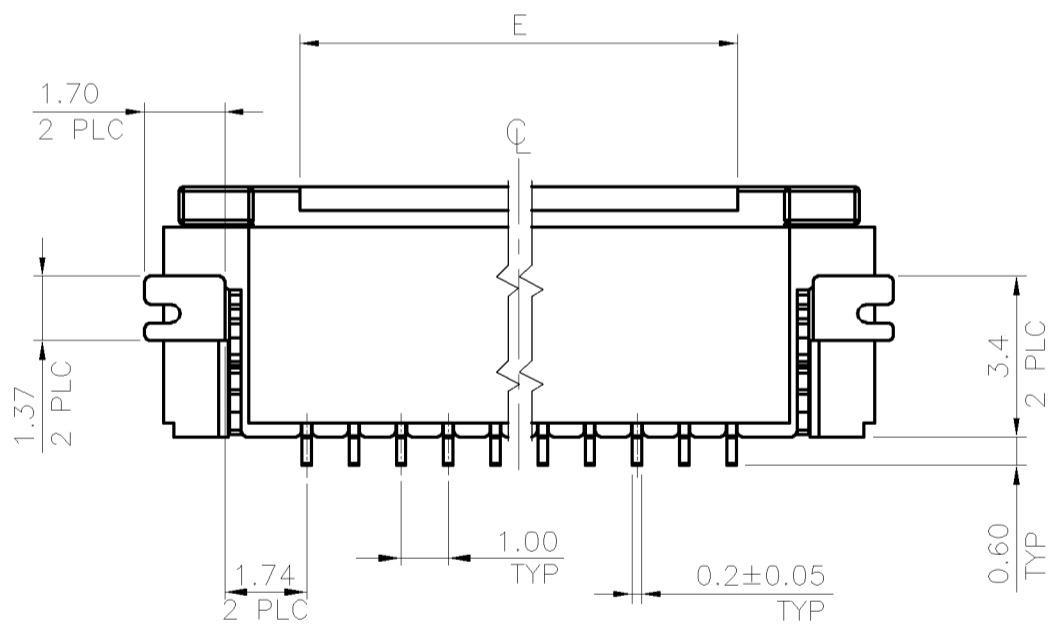
LOC		DIST		REVISIONS			
P	LTR	DESCRIPTION		DATE	DWN	APVD	
B		OBSOLETE		08JAN16	H.X	W.H	

NOTES:

- MATERIAL:  
 HOUSING: LCP WITH 30% GF, UL94 V-0, NATURAL COLOR.  
 ACTUATOR: LCP WITH 40% GF, UL94 V-0, BLACK COLOR.  
 CONTACTS: PHOSPHOR BRONZE.  
 PEGS: BRASS.
- FINISH:  
 CONTACTS: 2.54µm [100µ"] MIN. MATTE-TIN OVER 1.27µm [50µ"] MIN. NICKEL ON ENTIRE CONTACT.  
 PEGS: 2.54µm [100µ"] MIN. MATTE-TIN OVER 1.27µm [50µ"] MIN. NICKEL ON ENTIRE PEG.
- REFLOW SOLDER CAPABLE TO 260°C PER TEC-109-201, CONDITION B.
- SUBSTANCE RESTRICTIONS FOR LOW HALOGEN (BY WEIGHT):
  - BROMINE (Br) ≤ 900 PPM (0.09%)
  - CHLORINE (Cl) ≤ 900 PPM (0.09%)
  - TOTAL CONCENTRATION OF CHLORINE (Cl) + BROMINE (Br) ≤ 1500 PPM (0.15%)
- THE OPTION OF CONTACT PLATING IN GOLD, SEE DRAWING #2041084.



TOLERANCE: ±0.08  
 RECOMMENDED P.C.B. LAYOUT  
 (TOP VIEW)



(N = NO. OF CONTACTS)  
 RECOMMENDED FPC/FFC LAYOUT

OBSOLETE

F	E	D	C	B	A	NO. OF CONTACTS	PART NUMBER
21.87	7.0	20.41	17.10	15	21.07	16	1-2041322-6
15.87	9.28	14.41	11.10	9	15.07	10	1-2041322-0
13.87	7.28	12.41	9.10	7	13.07	8	2041322-8
11.87	5.28	10.41	7.10	5	11.07	6	2041322-6

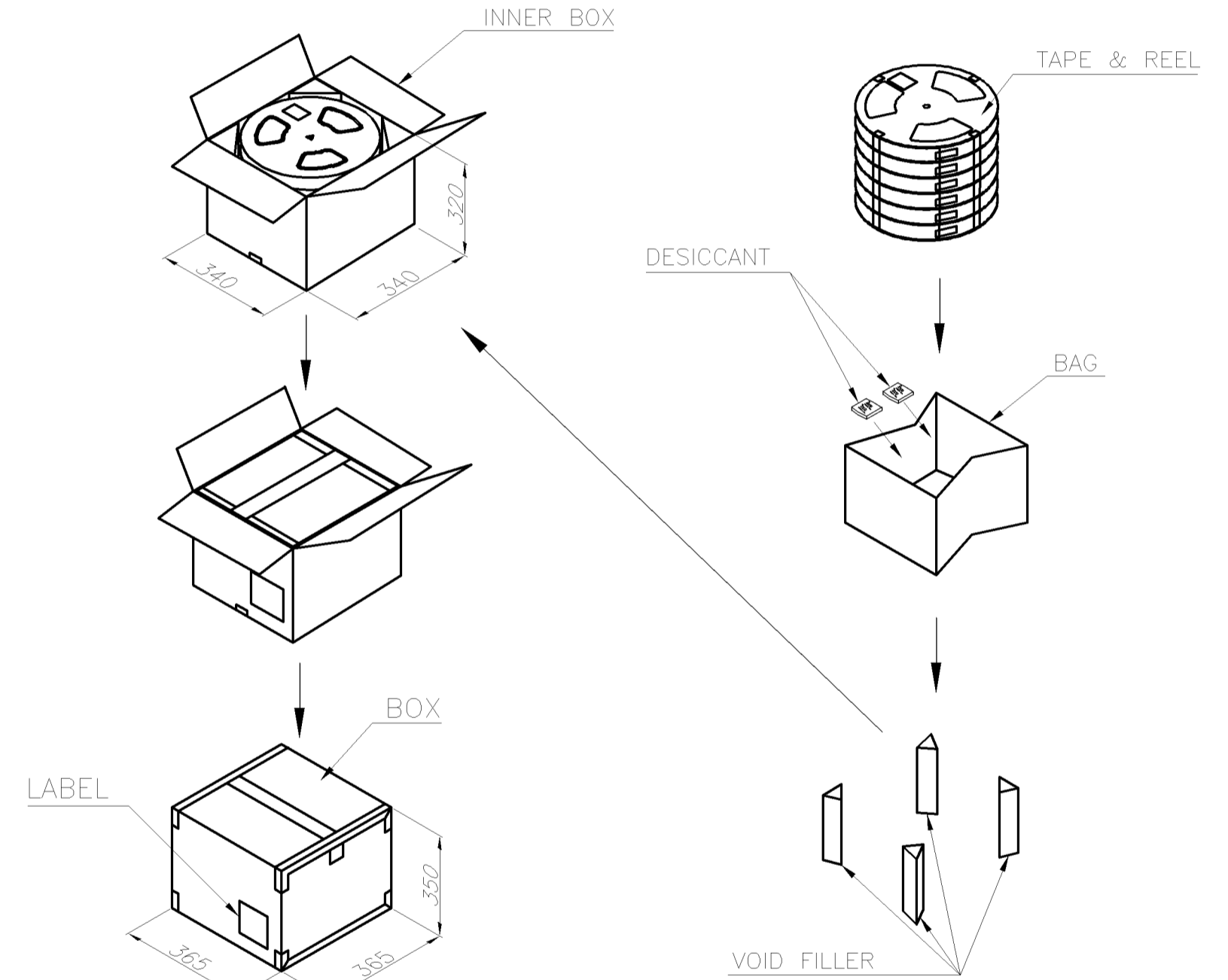
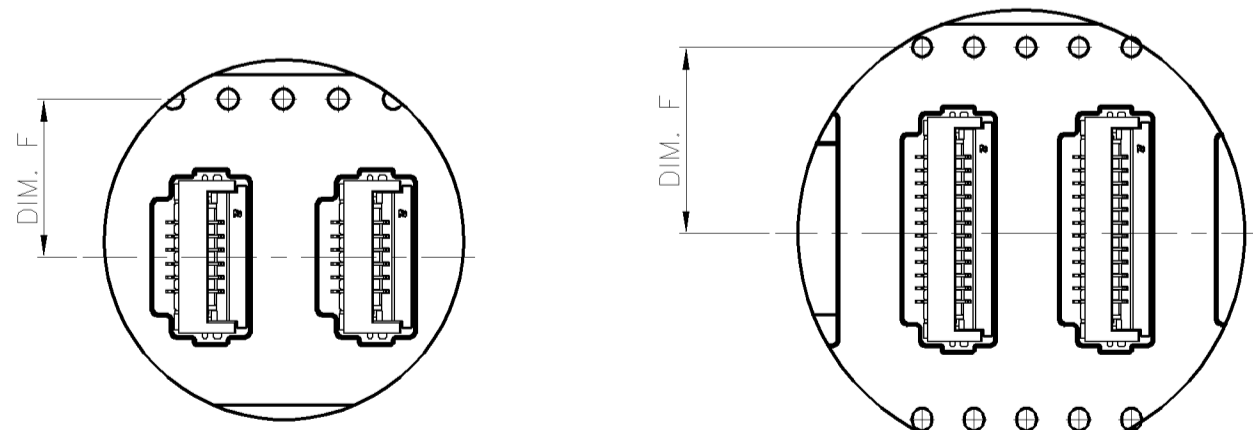
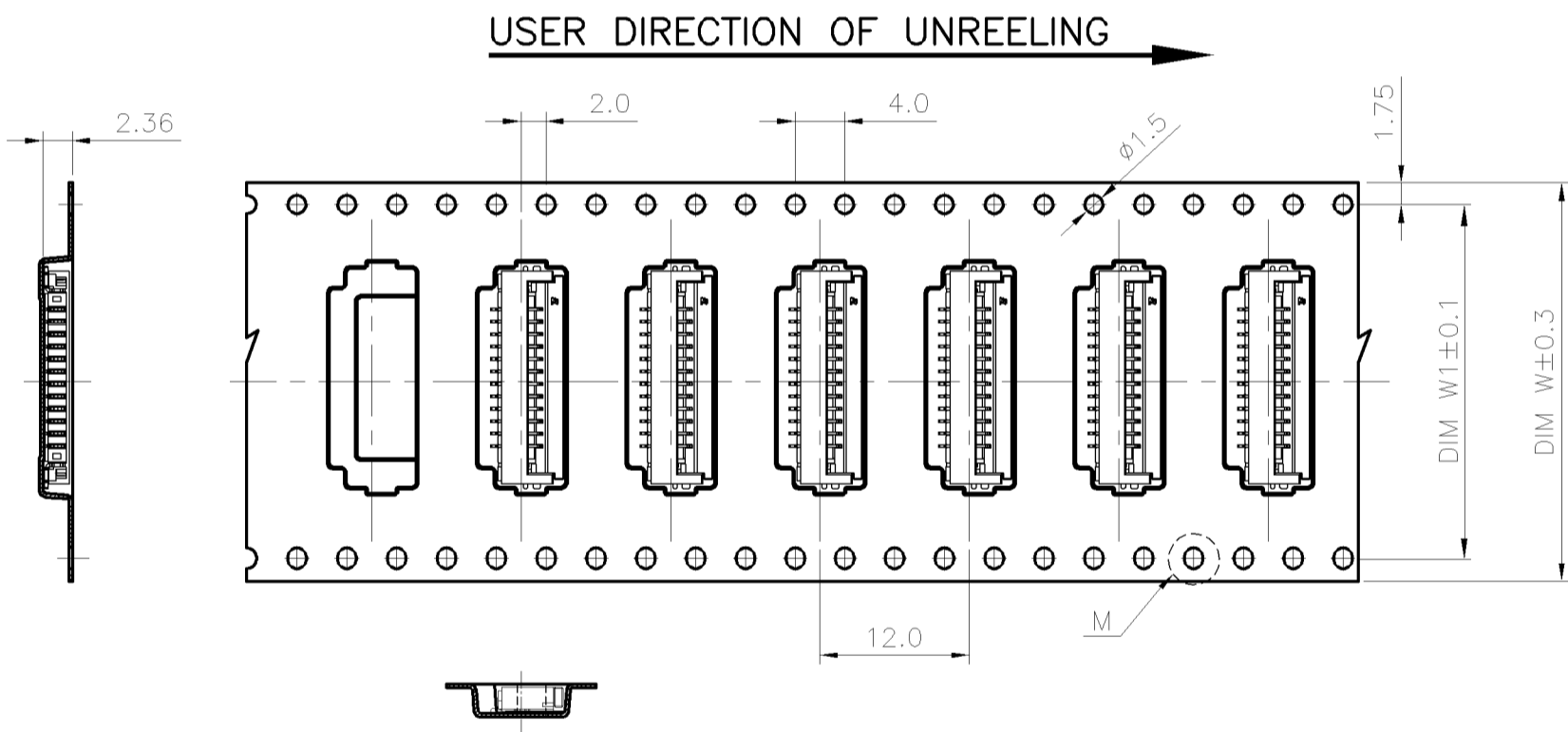
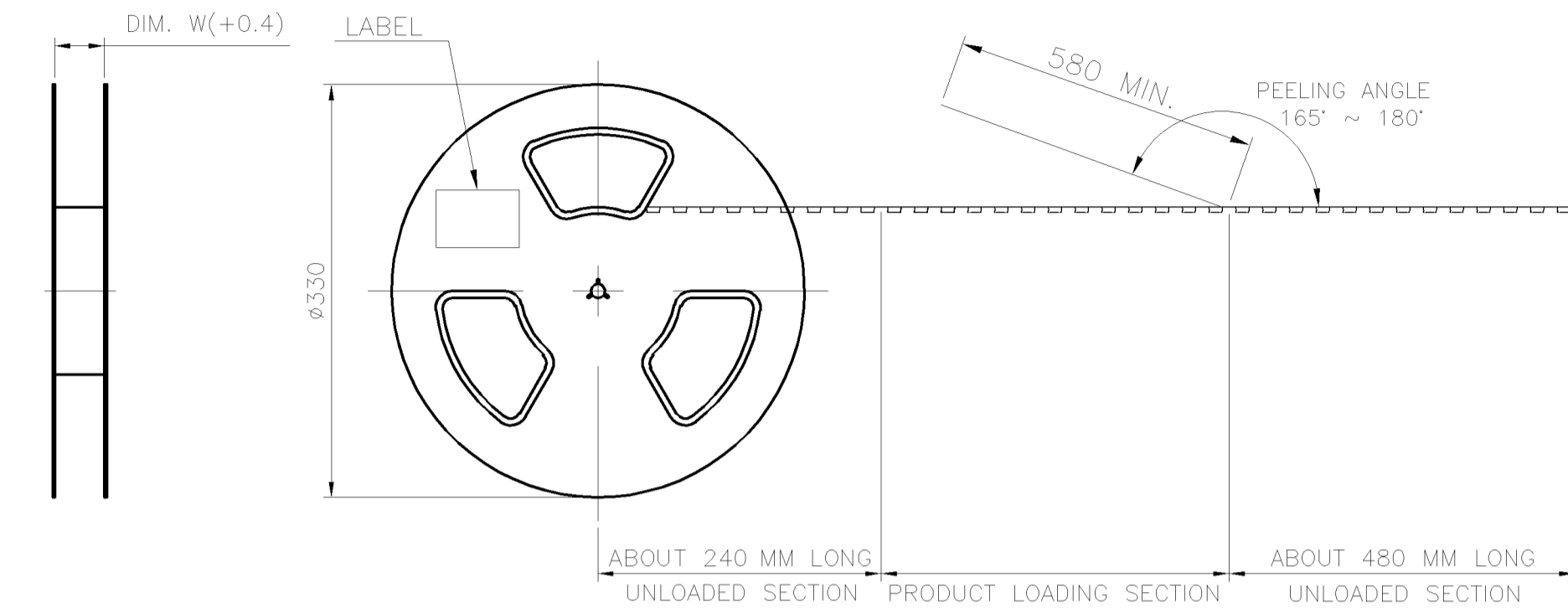
THIS DRAWING IS A CONTROLLED DOCUMENT.		DWN A. WU 02NOV2010	Tyco Electronics Corporation Taipei, Taiwan	
DIMENSIONS: MM	TOLERANCES UNLESS OTHERWISE SPECIFIED:	CHK S. CHIEN 02NOV2010	NAME	
	0 PLC ± - 1 PLC ± 0.3 2 PLC ± 0.2 3 PLC ± - 4 PLC ± - ANGLES ± 3'	APVD W. KODAMA 02NOV2010	PRODUCT SPEC 108-57365	
MATERIAL SEE NOTE	FINISH SEE NOTE	WEIGHT -	SIZE A2	CAGE CODE 00779
		CUSTOMER DRAWING	DRAWING NO C=2041322	RESTRICTED TO -
			SCALE -	SHEET 1 of 2
				REV B

THIS DRAWING IS UNPUBLISHED. RELEASED FOR PUBLICATION  
 © COPYRIGHT 2010 BY TYCO ELECTRONICS CORPORATION. ALL RIGHTS RESERVED.

LOC	DIST	REVISIONS			
P	LTR	DESCRIPTION	DATE	DWN	APVD
DW	-	SEE SHEET 1.			

NOTES:

- MATERIAL:  
 BOX: FIBREBOARD, CORRUGATED, DOUBLE WALL.  
 COVER TAPE: PET, TRANSPARENT COLOR.  
 CARRIER TAPE: POLYSTYRENES, TRANSPARENT COLOR.  
 REEL: HIPS, BLUE COLOR.  
 BAG: POLYETHYLENES, TRANSPARENT COLOR.
- EACH BAG SHALL BE INCLUDED DESICCANT.
- PEELING STRENGTH: 0.1 ~ 1.3 N (10 ~ 130 GRAMS).
- PEELING SPEED: 300 mm/min.



PCS/BOX	PCS/TAPE	REELS/BOX	DIM W1	DIM F	DIM W	G/W (Kg)	N/W (Kg)	NO. OF CONTACT
16000	2000	8	28.4	14.2	32	11.62	5.02	16
16000	2000	8	28.4	14.2	32	10.35	4.3	10
20000	2000	10	-	11.5	24	10.21	3.86	8
						10.1	3.15	6

THIS DRAWING IS A CONTROLLED DOCUMENT.

DWN	A. WU	02NOV2010	Tyco Electronics Corporation Taipei, Taiwan
CHK	S. CHIEN	02NOV2010	
APVD	W. KODAMA	02NOV2010	
PRODUCT SPEC			
APPLICATION SPEC			<b>FPC CONNECTOR, 1.0 PITCH,          105° ZIF, BOTTOM CONTACT</b>
MATERIAL			SIZE: A2 CAGE CODE: 00779 DRAWING NO: C=2041322
WEIGHT			RESTRICTED TO
CUSTOMER DRAWING			SCALE: - SHEET: 2 of 2 REV: B