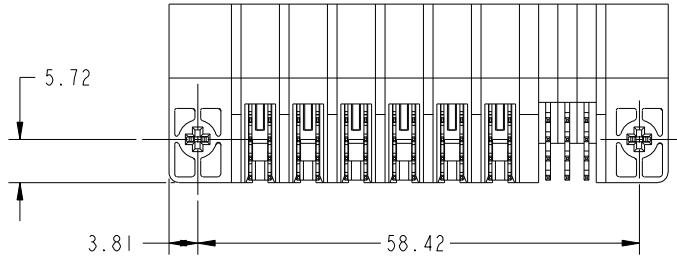
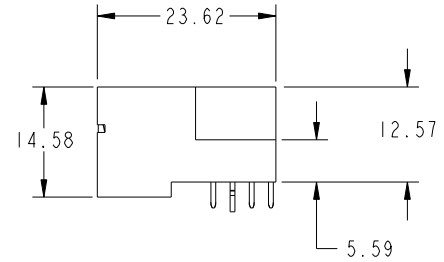
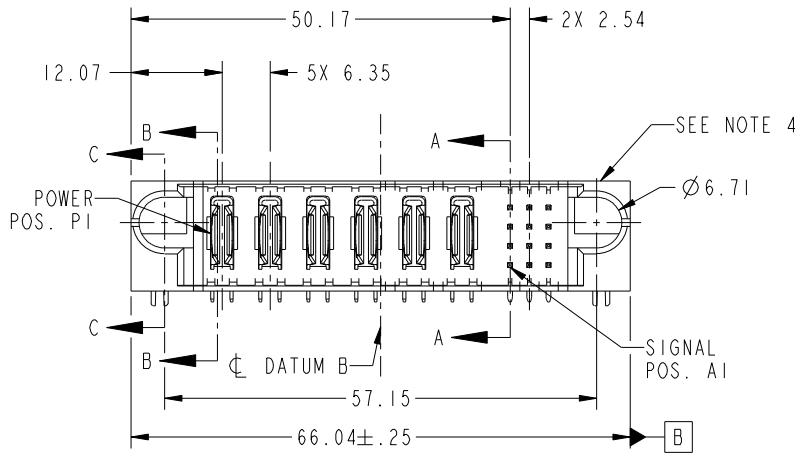
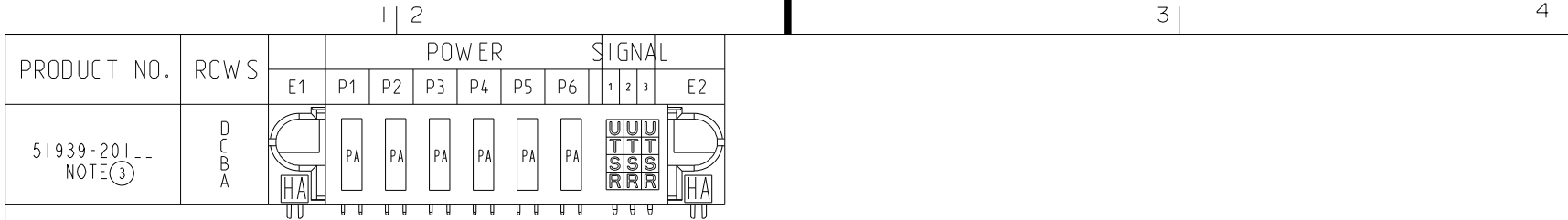


Tous droits strictement réservés. Reproduction ou communication a des tiers interdite sous quelque forme que ce soit sans autorisation écrite du propriétaire. Propriété de c.FCI. Droits de reproduction FCI.

All rights strictly reserved. Reproduction or issue to third parties in any form whatever is not permitted without written authority from the proprietor. Property of FCI. Copyright FCI.



CODE	DIM "M" MATING LENGTH	CONTACT TYPE
U	[6.86]	SIGNAL
T	[6.86]	SIGNAL
S	[6.86]	SIGNAL
R	[6.86]	SIGNAL
PA	[N/A]	POWER
HA	[N/A]	HOLD-DOWN

mat'l code				SEE NOTE		tolerances unless otherwise specified		CUSTOMER	
ltr	ecn no.	dr	date	linear	angles	COPY		projection	
A	DG05-0282	SW	08/10/05	0.X ± 0.5	0° ± 2°	projection		title	
B	DG05-0566	CS	12/22/05	0.XX ± 0.25		MM		6P + 12S	
C	DG07-0498	JW	09/12/08	0.XXX ± 0.10		scale		RIGHT ANGLE SOLDER HEADER	
				dr	engr	STEVEN WANG 08/10/05		product family	
				chr	appd	VICTOR LIN 08/10/05		PwrBlade	
						JOSEPH HSIA 08/10/05		code	
sheet index		revision sheet		C	C	C	C	size	
		1 2		3	4	A		dwg no	
						1:1		51939-201	
								sheet	
								1 of 4	

FCI www.fciconnect.com

product family: PwrBlade code: 213

size: A dwg no: 51939-201 sheet: 1 of 4

A

A

B

B

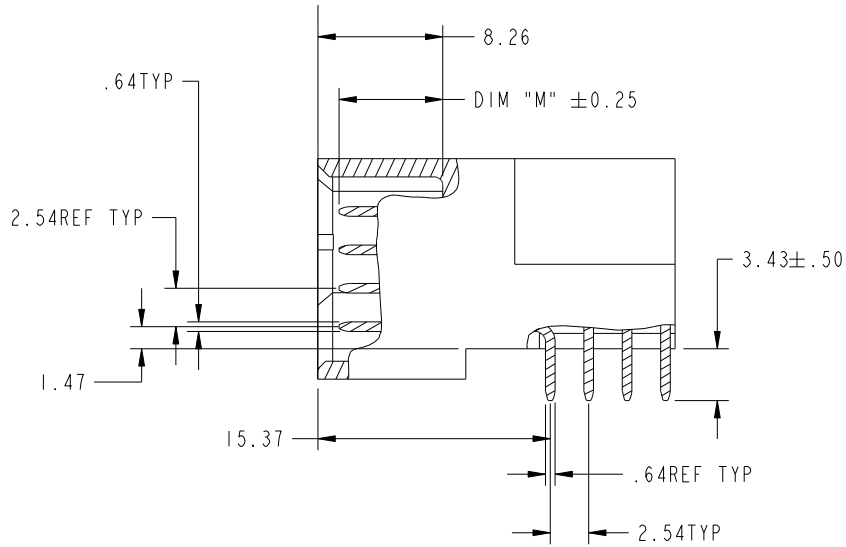
Tous droits strictement réservés. Reproduction ou communication a des tiers interdite sous quelque forme que ce soit sans autorisation écrite du propriétaire. Propriété de c.FCI. Droits de reproduction FCI.

All rights strictly reserved. Reproduction or issue to third parties in any form whatever is not permitted without written authority from the proprietor. Property of FCI. Copyright FCI.

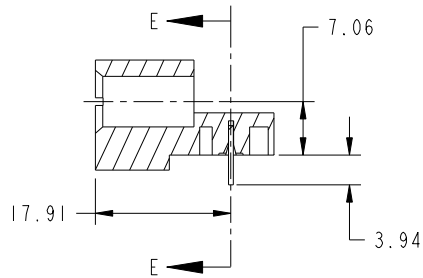


PRODUCT NUMBER

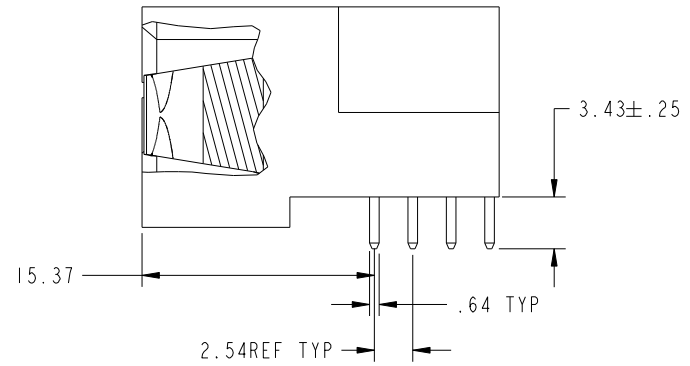
51939-201--
NOTE: 3



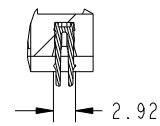
BROKEN-OUT SECTION A-A
SCALE 2:1



SECTION C-C



BROKEN-OUT SECTION B-B
SCALE 2:1



SECTION E-E

mat'l code		SEE NOTE		tolerances unless otherwise specified		CUSTOMER		www.fciconnect.com	
lir	ecn no.	dr	date	linear	0.X ±0.5	COPY		title	
C					0.XX ±0.25	projection		6P + 12S	
				angles	0.XXX ±0.10			RIGHT ANGLE SOLDER HEADER	
				dr	0° ±2°	MM		product family	
				enr	STEVEN WANG 08/10/05	1:1		PwrBlade	
				chr	STEVEN WANG 08/10/05	size		code	
				appd	VICTOR LIN 08/10/05	A		213	
					JOSEPH HSIA 08/10/05	51939-201		sheet	
sheet index	revision sheet							2	

cage code 2856

Pro/E

PDM: Rev: C

STATUS: Released

Printed: Dec 20, 2010

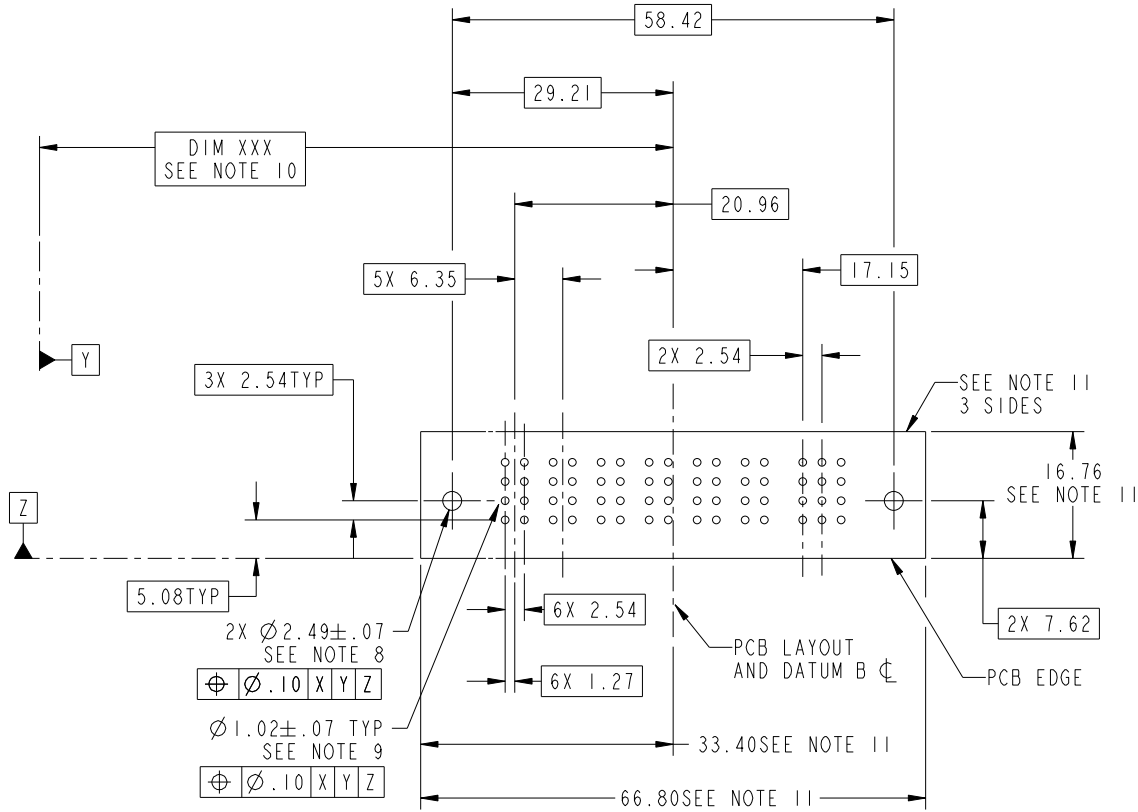
Tous droits strictement réservés. Reproduction ou communication a des tiers interdite sous quelque forme que ce soit sans autorisation écrite du propriétaire. Propriété de c.FCI. Droits de reproduction FCI.



All rights strictly reserved. Reproduction or issue to third parties in any form whatever is not permitted without written authority from the proprietor. Property of FCI. Copyright FCI.

PRODUCT NUMBER

51939-201--
NOTE: 3



RECOMMENDED PCB LAYOUT

mat'l code				SEE NOTE		tolerances unless otherwise specified		CUSTOMER		 www.fciconnect.com	
lir	ecn no.	dr	date	linear	0.X ±0.5		COPY		title		
C					0.XX ±0.25		projection		6P + 12S		
					0.XXX ±0.10				RIGHT ANGLE SOLDER HEADER		
				angles	0° ±2°		 MM		product family		code
				dr	STEVEN WANG	08/10/05	 1:1		PwrBlade		213
				enr	STEVEN WANG	08/10/05	size		dwg no	sheet	
				chr	VICTOR LIN	08/10/05	A		51939-201	3	
				appd	JOSEPH HSIA	08/10/05	scale		cage code		
sheet index	revision sheet										

Tous droits strictement reserves. Reproduction ou communication a des tiers interdite sous quelque forme que ce soit sans autorisation ecrite du proprietaire. Propriete de c.FCI. Droits de reproduction FCI.

All rights strictly reserved. Reproduction or issue to third parties in any form whatever is not permitted without written authority from the proprietor. Property of FCI. Copyright FCI.



1 | 2

3

4

PRODUCT NUMBER

51939-201--
NOTE: 3

NOTES:

1. DIMENSIONS AND TOLERANCES ARE IN ACCORDANCE WITH ASME Y14.5M, 1994 UNLESS OTHERWISE SPECIFIED.

CONNECTOR NOTES:

2. HOUSING MATERIAL: UL 94 V-0 GLASS FILLED HIGH-TEMP THERMOPLASTIC
POWER CONTACT MATERIAL: COPPER ALLOY
SIGNAL PIN MATERIAL: COPPER ALLOY

3. PLATING:
SEE ITEM 1&2 IN PRINT 10064183 FOR PLATING SPEC OF 51939-201; 51939-201LF PRESPECTIVELY

4. MANUFACTURER'S NAME, P/N, AND DATE CODE TO APPEAR ON THIS SURFACE.

5. PRODUCT SPECIFICATION GS-12-149.
APPLICATION SPECIFICATION BUS-20-067.

6. PACKAGED IN TRAYS.

PCB NOTES:

7. ALL HOLE DIAMETERS ARE FINISHED HOLE SIZE.

8. MOUNTING HOLES, WHERE APPLICABLE, ARE UNPLATED.

9. $\varnothing 1.151 \pm 0.025$ DRILLED HOLES PLATED WITH 0.008 MIN SnPb OR Sn OVER 0.03 TO 0.08 Cu PLATING TO ACHIEVE $\varnothing 1.02 \pm .07$ HOLE.

10. "DIM XXX" TO BE DETERMINED BY THE CUSTOMER.

11. CONNECTOR KEEP-OUT ZONE.

12. A/C SYMBOL WILL BE NEXT TO ANY DIMENSION, VIEW, OR NOTE WHICH HAS BEEN MODIFIED WITH THE CURRENT DRAWING REVISION.

mat'l code		SEE NOTE		tolerances unless otherwise specified		CUSTOMER		 www.fciconnect.com	
lir	ecn no.	dr	date	linear	0.X ± 0.5		COPY		title 6P + 12S RIGHT ANGLE SOLDER HEADER
C					0.XX ± 0.25		projection		
					0.XXX ± 0.10				
				angles	0° $\pm 2°$				product family PwrBlade
				dr	STEVEN WANG	08/10/05	size		code 213
				enr	STEVEN WANG	08/10/05	dwg no		sheet 4
				chr	VICTOR LIN	08/10/05	A		51939-201
				appd	JOSEPH HSIA	08/10/05	scale 1:1		
sheet index	revision sheet								

1 | 2

Pro/E

PDM: Rev: C

STAT: Released

Printed: Dec 20, 2010

cage code 28556

4