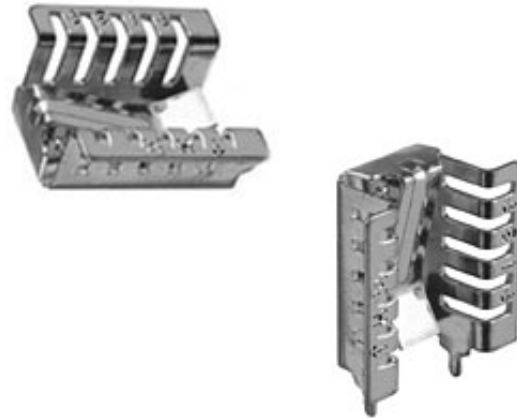


Board Level Cooling – Hat Section 7100



BOARD LEVEL COOLING - Hat Section 7100

Hat Section 7100 is a series of hat channel board level heat sinks designed to cool TO-220 and TO-220-single gauge devices. Representative image only.



ORDERING INFORMATION

Part Number	Device Type
7137DG	TO-220, TO-220-single gauge
7140DG	TO-220, TO-220-single gauge

HEAT SINK DETAILS

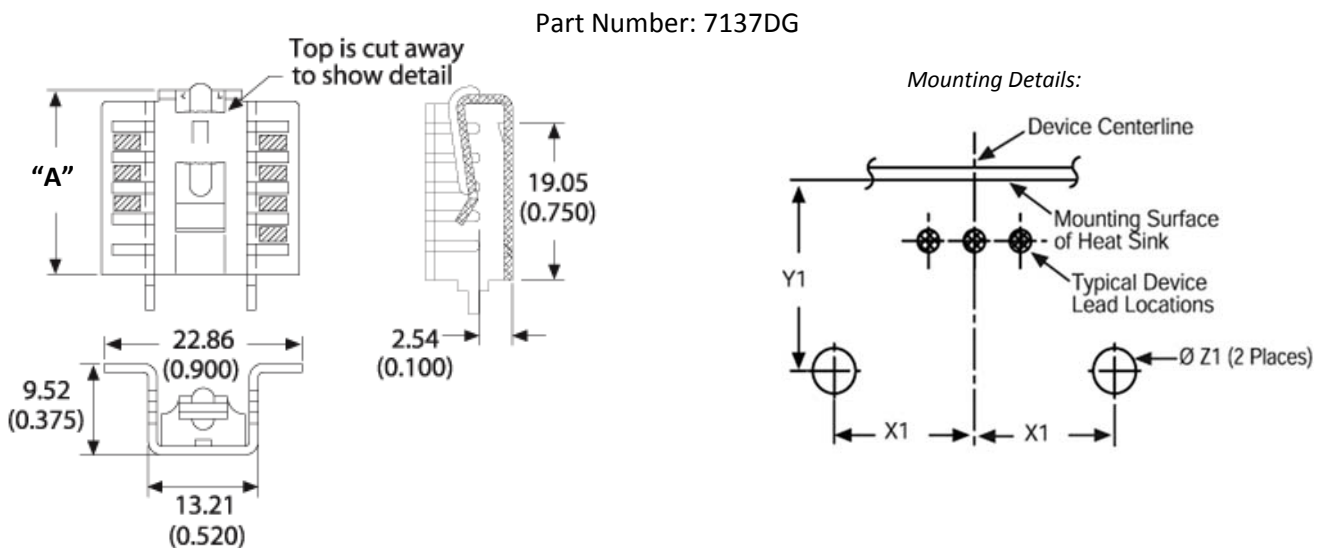
Property	Details
Material	Copper
Finish	Tin Plated
Device Attachment Options	Integrated Mounting Clip
Thermal Interface Material	-

Property	Details
Heat Sink Width (mm)	22.86
Heat Sink Length (mm)	9.52
Heat Sink Height (mm)	See "A" Dim below
Heat Sink Mounting Direction	Vertical, Horizontal

MECHANICAL & PERFORMANCE

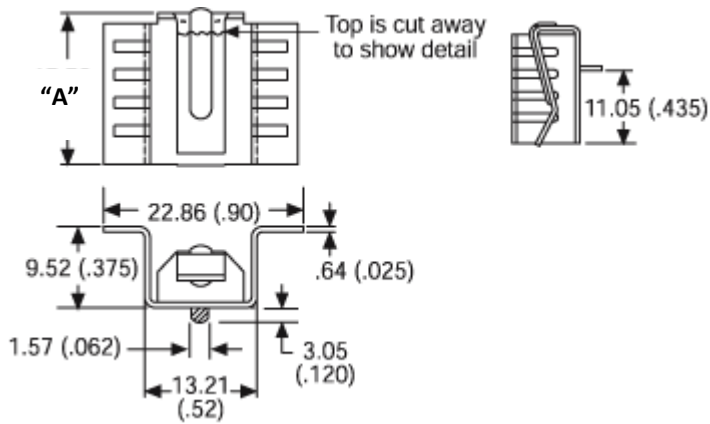
Drawing dimensions are shown in mm, (in)

Part Number	"A" Dim	"X" Dim	"Y" Dim	"Z" Dim
7137DG	21.54	6.30 (0.248)	4.83 (0.190)	2.54 (0.100)
7140DG	17.78	-	2.41 (0.095)	2.54 (0.100)



Board Level Cooling – Hat Section 7100

Part Number: 7140DG



Mounting Details:

