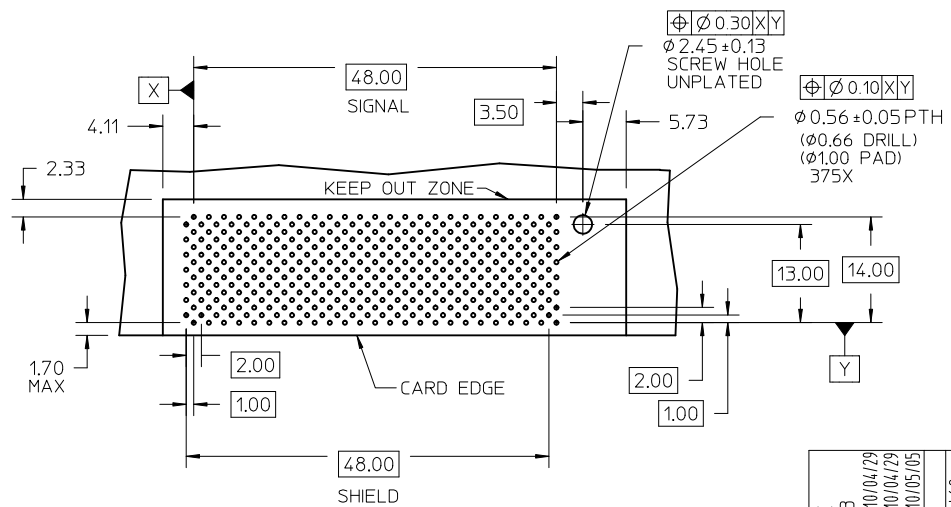
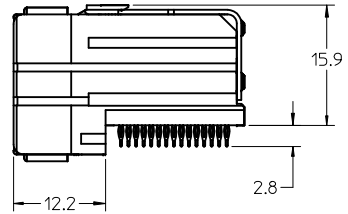
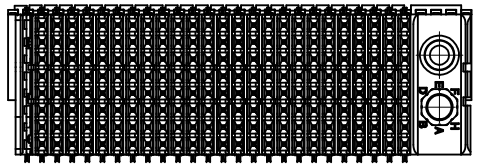


NOTES:

1. MATERIALS: HOUSING: LIQUID CRYSTAL POLYMER (LCP), GLASS-FILLED, UL94V-0, BLACK, TERMINALS: COPPER ALLOY
STIFFENER: STAINLESS STEEL
2. FINISH: SELECTIVE GOLD (Au) IN CONTACT AREA, 0.76 micrometers MINIMUM THICKNESS, SELECTIVE TIN/LEAD (Sn/Pb) IN TAIL AREA, NICKEL (Ni) UNDERPLATE OVERALL.
3. REFER TO MOLEX PRODUCT SPECIFICATION PS-74031-999 FOR PERFORMANCE SPECIFICATIONS.
4. PARTS TO BE PACKAGED PER PK-70873-5041.
5. THIS PART CONFORMS TO CLASS 'B' REQUIREMENTS OF MOLEX COSMETIC SPECIFICATION PS-45499-002.
6. REFER TO MOLEX DOCUMENT SD-74041-002 FOR ADDITIONAL DETAIL ON THE SIGNAL WAFER.
7. REFER TO MOLEX DOCUMENT SD-74037-006 FOR ADDITIONAL DETAIL ON THE GUIDANCE MODULE.
8. SCREWS PACKED IN BAG INSIDE TUBE.
9. LABEL MARKED WITH MOLEX PART NUMBER AND DATE CODE. LABEL MAY BE REPLACED BY LASER MARKING ON THE STIFFENER.



ITEM	PART NUMBER	DESCRIPTION	QTY
1	74046-0061	STIFFENER	1
2	74041-0001	SIGNAL WAFER	25
3	74037-0008	POLARIZING/GUIDE MODULE	1
4	74038-1001	END CAP	1
5	73726-0000	GUIDE MODULE MTG SCREW	1

DAUGHTERCARD BOARD LAYOUT
CONNECTOR SIDE

INITIAL RELEASE EC NO: UCP2010-2753 DRWNS:SDANNELLEY 2010/04/29 CHKD:JMELTON 2010/04/29 APPR:SMILLER 2010/05/05	QUALITY SYMBOLS	GENERAL TOLERANCES (UNLESS SPECIFIED)	DIMENSION STYLE MM ONLY	SCALE 2:1	DESIGN UNITS METRIC	THIRD ANGLE PROJECTION
	▽=0	4 PLACES ± --- ± ---	DRAWN BY DATE SDANNELLEY 2010/04/29	TITLE VHDM 8 ROW DAUGHTERCARD END CAP/25 WAFERS/GUIDE SALES DRAWING		
	▽=0	3 PLACES ± --- ± ---	CHECKED BY DATE JMELTON 2010/04/29	MATERIAL NO. 74040-1343		
	▽=0	2 PLACES ± 0.25 ± ---	APPROVED BY DATE SMILLER 2010/05/05	DOCUMENT NO. SD-74040-1343		
		ANGULAR ± 1/2°		SHEET NO. 1 OF 1		
		DRAFT WHERE APPLICABLE MUST REMAIN WITHIN DIMENSIONS	SIZE C	THIS DRAWING CONTAINS INFORMATION THAT IS PROPRIETARY TO MOLEX INCORPORATED AND SHOULD NOT BE USED WITHOUT WRITTEN PERMISSION		