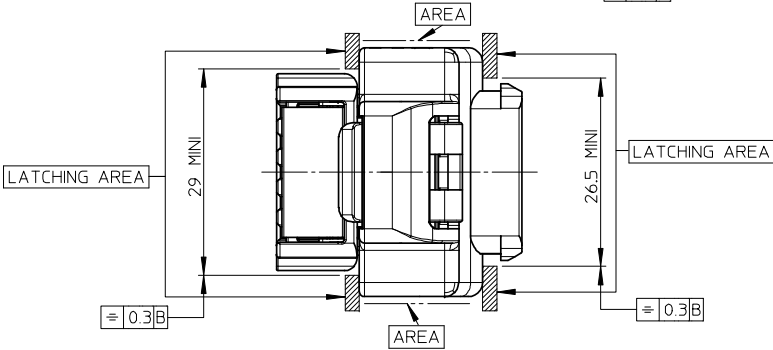
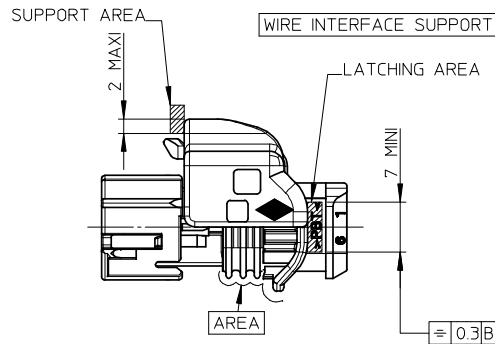
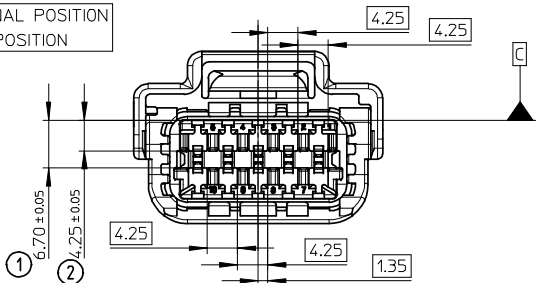


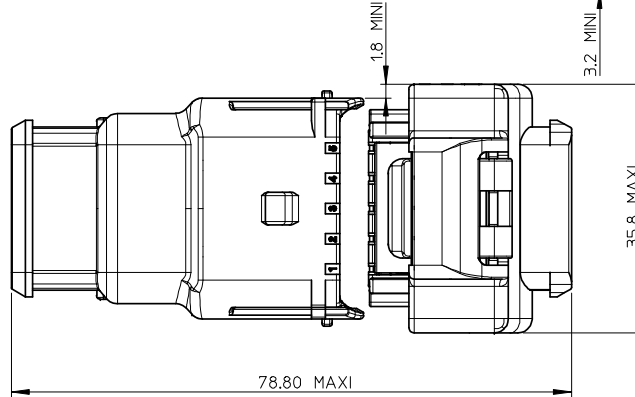
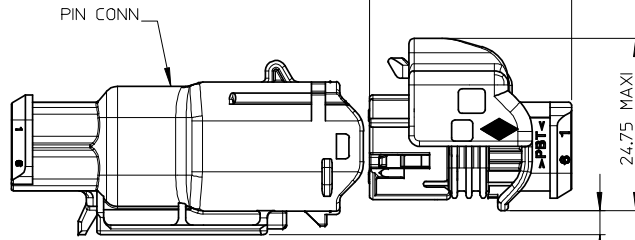
2	GREY	SICMA RCPT CONN SLD W/ 1.5 GRY 10CKT	0987881108
1	BLACK	SICMA RCPT CONN SLD W/ 1.5 BLK 10CKT	0987881101
CODING	COLOR	DESCRIPTION	MATERIAL NUMBER



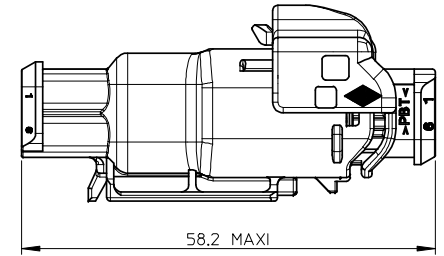
SICMA 2 TERMINAL POSITION AND CAVITIES POSITION



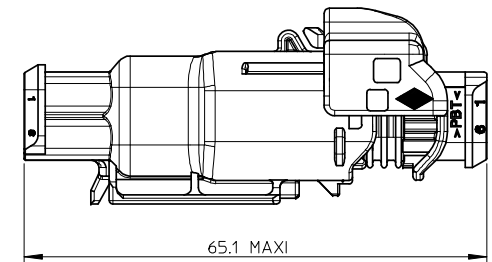
MATING / UNMATING OVERALL DIMENSIONS



OVERALL DIMENSION AFTER LOCK



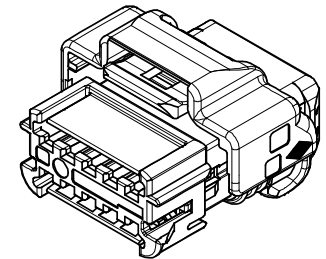
OVERALL DIMENSION BEFORE LOCK



NOTES:

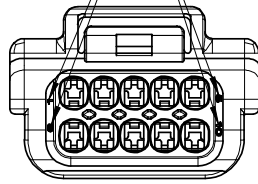
1. MATERIALS: SEE CHART
2. FINISHES: N/A
3. PRODUCT SPECIFICATION: AS-98788-001
4. PACKAGING INFORMATION: PK-98788-002
5. MATES WITH: 0987891101(BLACK), 0987891108(GREY)
6. 2MM2 WIRES NOT ALLOWED FOR THIS PRODUCT
7. CONNECTOR TIGHTENING STRENGTH ON WIRING INTERFACE:
 - 200 TO 250 N WITH PUSH TEST
 - 50 TO 250 WITHOUT PUSH TEST
8. AREAS SHOWN AS: AREA
 - DO NOT LOCK WIRING INTERFACE
 - DO NOT DAMAGE THE PART

ISOMETRIC VIEW

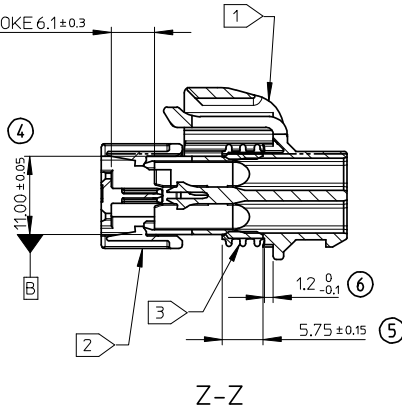


REVISED (MINOR) EC NO: GZ008-0315 DRAWN: VLOUVANCOUR 2008/02/12 CHKD: YIGEL 2008/02/12 APPR: LSTICKEIR 2008/02/13 A1	QUALITY SYMBOLS ▽=0 ▽=0	GENERAL TOLERANCES (UNLESS SPECIFIED)		DIMENSION STYLE MM ONLY		SCALE 2:1	DESIGN UNITS METRIC	FIRST ANGLE PROJECTION
		mm	INCH	DRAWN BY VLOUVANCOUR	DATE 2007/08/02	TITLE SICMA RCPT CONN SLD W/ 1.5 10CKT	DOCUMENT NO. SD-98788-005	SHEET NO. 1 OF 2
4 PLACES ± ---	± ---	DRAWN BY VLOUVANCOUR		DATE 2007/08/02	MATERIAL NO. SD-98788-005			
3 PLACES ± ---	± ---	CHECKED BY YIGEL		DATE 2007/08/02	MATERIAL NO. SD-98788-005			
2 PLACES ± ---	± ---	APPROVED BY LSTICKEIR		DATE 2007/08/02	MATERIAL NO. SD-98788-005			
1 PLACE ± 0.2	± ---	ANGULAR ± 2 °		DRAFT WHERE APPLICABLE MUST REMAIN WITHIN DIMENSIONS		THIS DRAWING CONTAINS INFORMATION THAT IS PROPRIETARY TO MOLEX INCORPORATED AND SHOULD NOT BE USED WITHOUT WRITTEN PERMISSION		

CAVITY MARKING

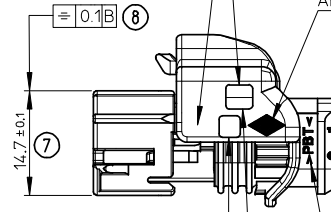


③ TPA STROKE 6.1±0.3

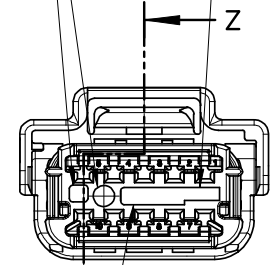


Z-Z

CUSTOMER P/N
CUSTOMER LOGO



SUPPLIER TPA REV LEVEL
TPA PRINT MARKING



Z

TPA SUPPLIER MARKING

Z

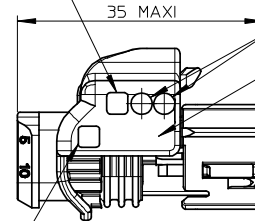
AREA FOR ITG CODE

CONN RAW MATERIAL

SUPPLIER CONN P/N

SUPPLIER REV LEVEL
LOF EQUIPED CONN

SUPPLIER CONN REV LEVEL

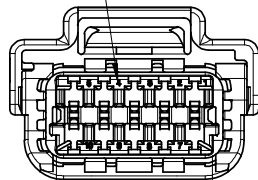


DATUM YEAR / MONTH

CONN SUPPLIER MARKING

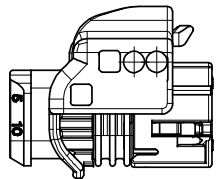
CONN PRINT MARKING

CAVITY MARKING



⑨ 21.95 +0.10 -0.05

VIEW WITHOUT TPA



VIEW WITH TPA LOCKED

3	1	Piece	SICMA RCPT CONN SLD 10CKT	0987880206	-	SILICONE	0.642g
2	1	Piece	SICMA RCPT CONN TPA YEL 10CKT	0987880114	-	POLYESTER YELLOW (PBT), GREY	1.469g
1	1	Piece	SICMA RCPT CONN 1.5 GRAY 10CKT	0987880108	-	UL94 HB BLACK	7.459g
			SICMA RCPT CONN 1.5 BLK 10CKT	0987880101	-		
Item	Amount	Unit	Description	Material-Number	Packing	Material	Weight Calculated
			QUALITY SYMBOLS	GENERAL TOLERANCES (UNLESS SPECIFIED)		DIMENSION STYLE	
			▽=0	mm INCH		MM ONLY	
			▽=0	DRAWN BY VLOUVANCOUR DATE 2007/08/02		SCALE 2:1	
				CHECKED BY YIGEL DATE 2007/08/02		DESIGN UNITS METRIC	
				APPROVED BY LSTICKEIR DATE 2007/08/02		FIRST ANGLE PROJECTION	
				MATERIAL NO. LSTICKEIR		MOLEX INCORPORATED	
				SEE CHART		DOCUMENT NO. SD-98788-005	
				DRAFT WHERE APPLICABLE MUST REMAIN WITHIN DIMENSIONS		SHEET NO. 2 OF 2	
				THIS DRAWING CONTAINS INFORMATION THAT IS PROPRIETARY TO MOLEX INCORPORATED AND SHOULD NOT BE USED WITHOUT WRITTEN PERMISSION			