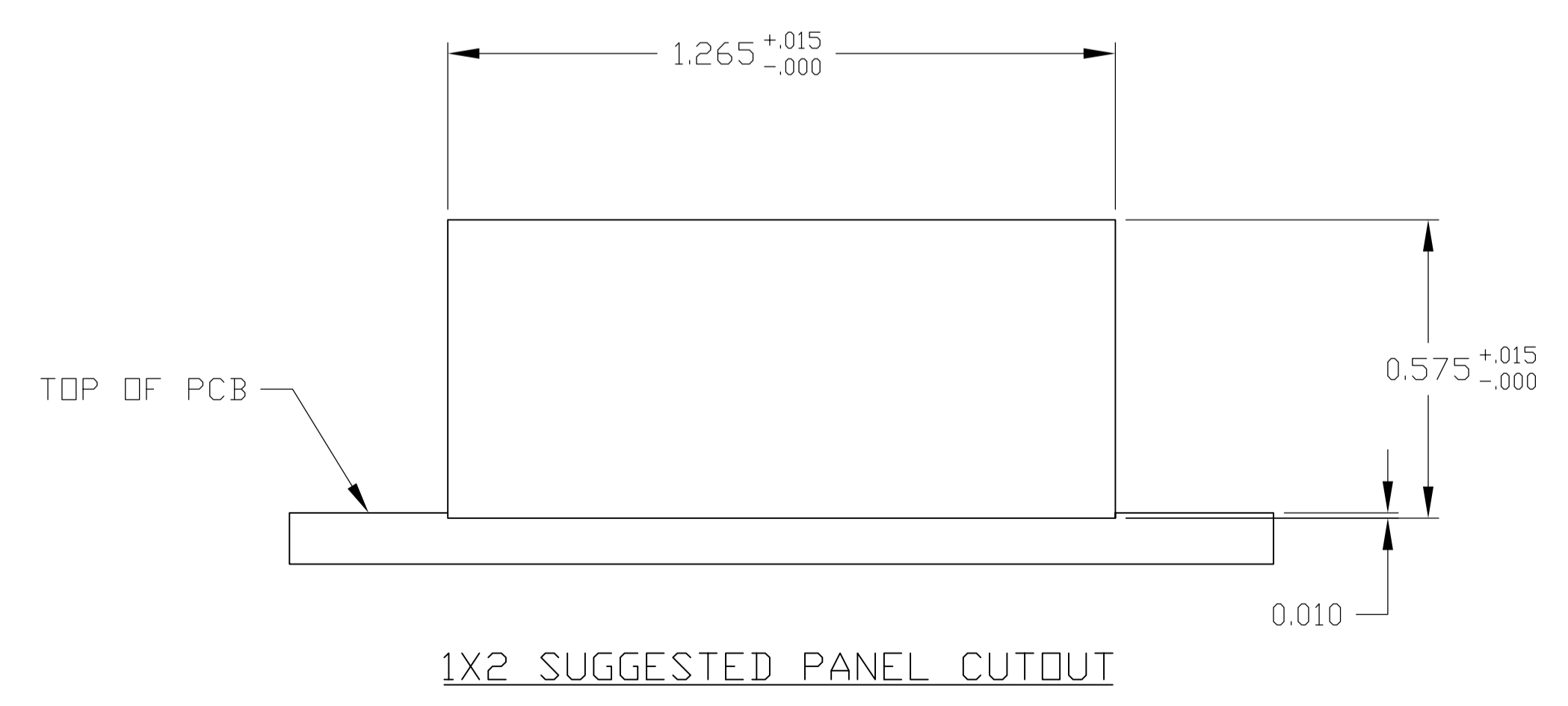
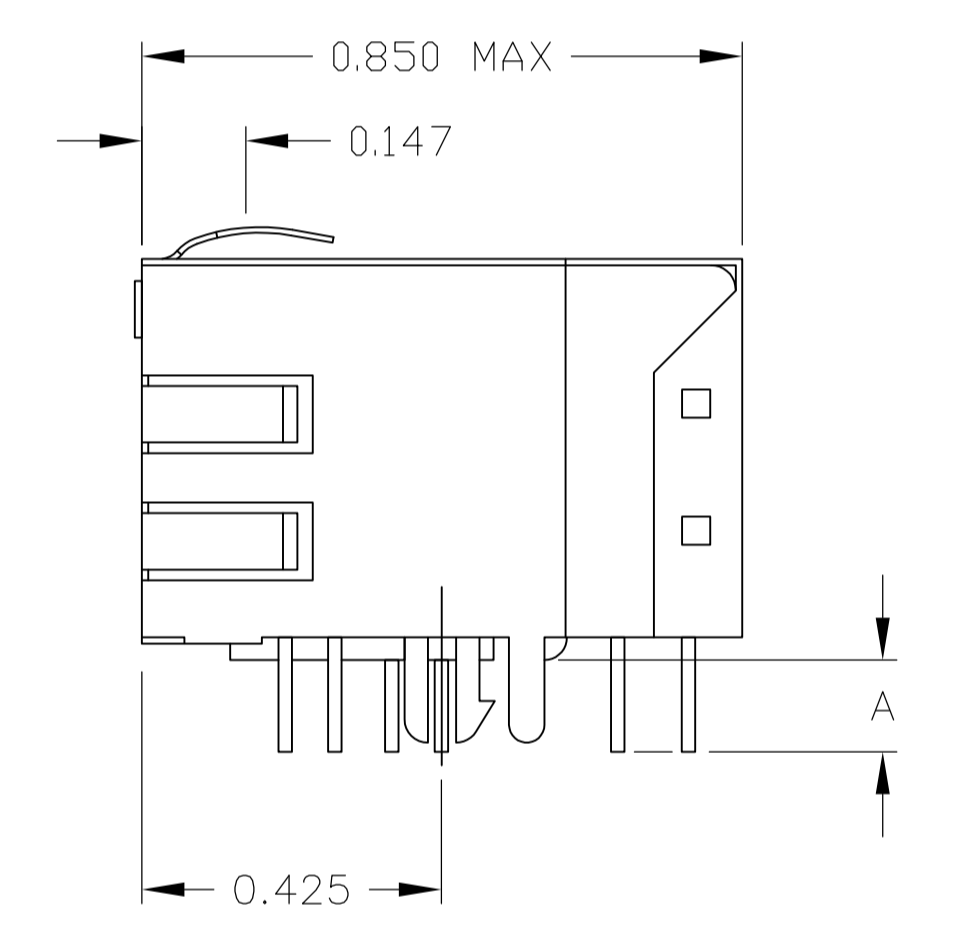
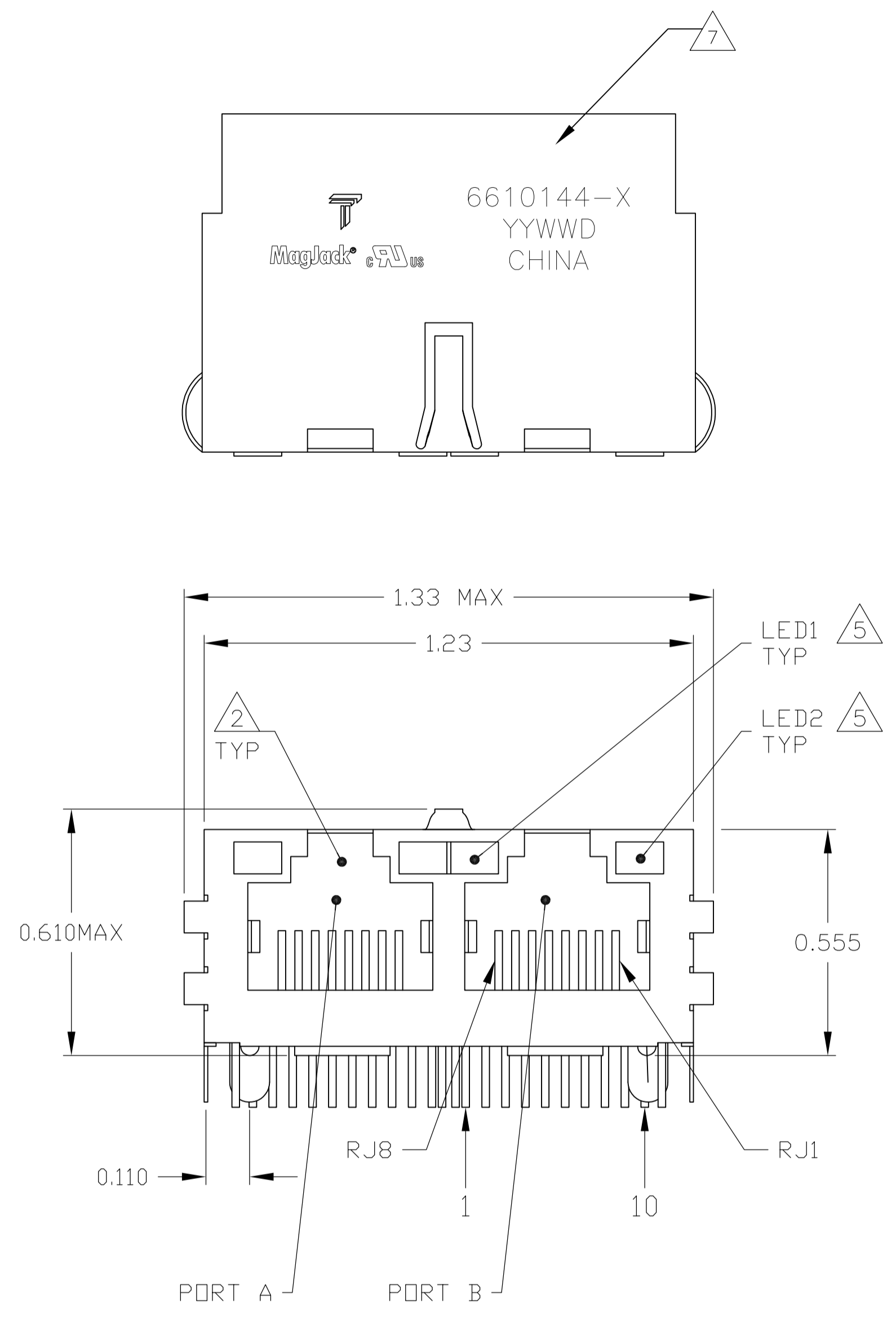


THIS DRAWING AND THE SUBJECT MATTER SHOWN THEREON ARE CONFIDENTIAL AND THE PROPERTY OF BEL/STEWART/TRP CONNECTOR AND SHALL NOT BE REPRODUCED, COPIED, OR USED IN ANY MANNER WITHOUT THE WRITTEN CONSENT OF TRP CONNECTOR.

PRODUCT MAY BE PROTECTED BY ONE OR MORE OF THE FOLLOWING US PATENTS:
 5736910 5939955 6425781 6428361 6554638 6840817 7123117
 7429195 7717749 7808751 6217391 6149050 7924130

REVISIONS				
P	LR	DESCRIPTION	DATE	APPD
G		EC-1411035 COMPANY LOGO CHANGE	06JAN2015	DZ TL

MECHANICAL:

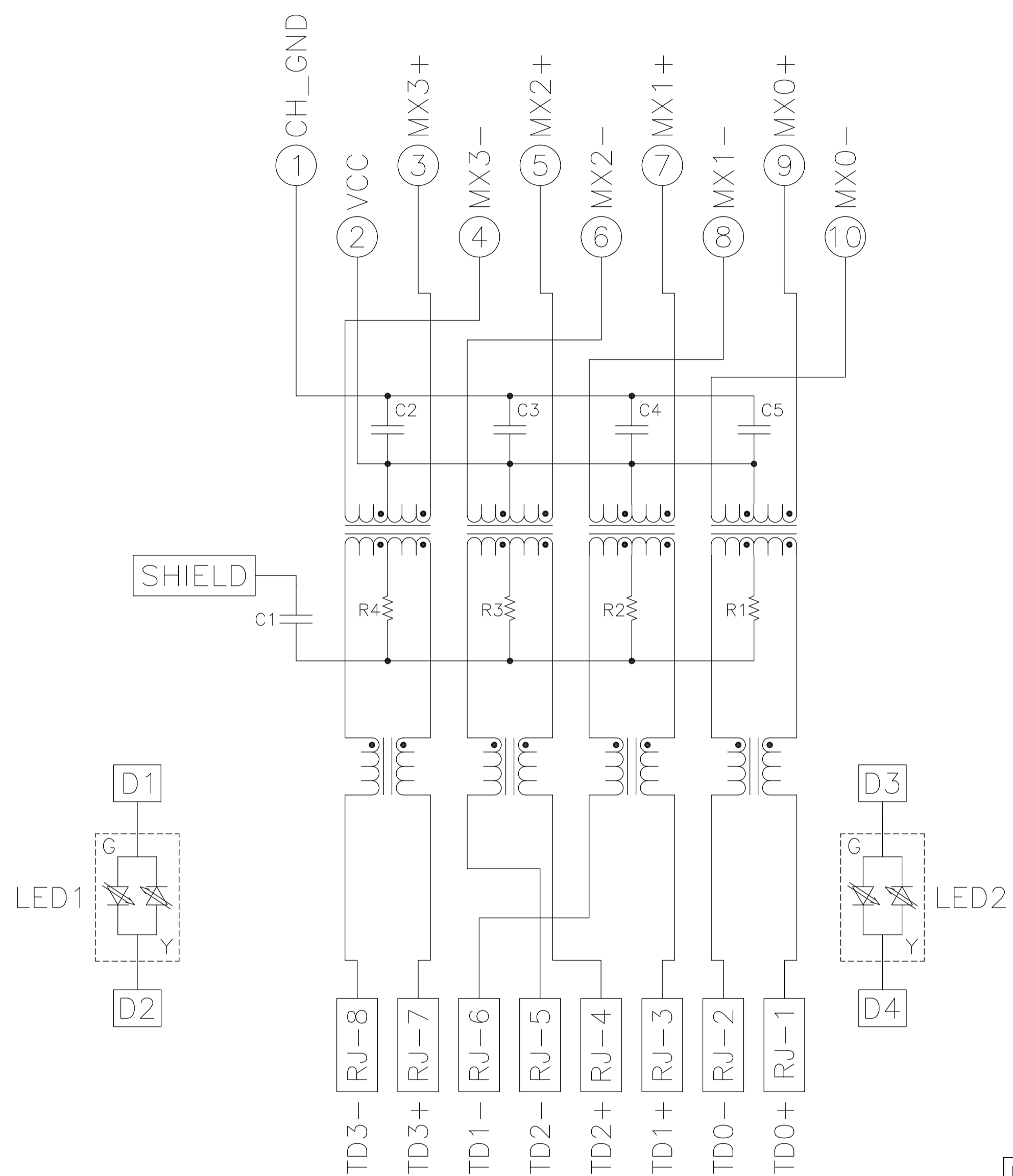


- 1 MATERIALS:
 - HOUSING - THERMOPLASTIC PET POLYESTER FLAMMABILITY RATING UL 94V-0.
 - SHIELD - 0.010" THICK, C26800 BRASS PREPLATED WITH 30μINCH MIN SEMI-BRIGHT NICKEL. SOLDER TABS POST DIPPED WITH 100μINCH MIN SAC SOLDER.
 - MOD JACK CONTACTS - 0.0157" X 0.018" PHOSPHOR BRONZE, 50μINCH MIN OVERALL NICKEL UNDERPLATE WITH SELECT 50μINCH MIN HARD GOLD FINISH PLATE. SOLDER TAILS WITH 100μINCH MIN MATTE TIN AND/OR SAC SOLDER DIP.
 - LIGHT EMITTING DIODE(LED) - DIFFUSED EPOXY LENS, 0.020" X 0.020" CARBON STEEL WIREFRAME LEADS PRE-PLATED WITH 80μINCH SILVER OVER 40μINCH NICKEL UNDERPLATE OVER 40μINCH COPPER UNDERPLATE. POST-PLATED WITH 100μINCH MIN MATTE TIN AND/OR SAC SOLDER DIP OR PURE TIN SOLDER DIP.
- 2 RJ45 JACK CAVITY CONFORMS TO FCC RULES AND REGULATIONS PART 68, SUB PART F.
- 3 MAGNETICS
 - IMPEDANCE: 100 OHMS
 - TURNS RATIO (CHIP: CABLE): 1:1 ALL FOUR PAIRS
 - OPEN CIRCUIT INDUCTANCE (OCL): 350μH MIN @100kHz, 0.1VRMS, 8mADC BIAS FROM 0°C TO 70°C, ALL FOUR PAIRS
 - ALL FOUR PAIRS BI-DIRECTIONAL
 - PERFORMANCE @ 25°C:
 - INSERTION LOSS (IL): 1.1dB MAX FROM 0.5MHz TO 100MHz
 - RETURN LOSS (RL): 18dB MIN FROM 0.5MHz TO 40MHz
 - 12-20LOG(f/80)dB MIN FROM 40.1MHz TO 100MHz
 - CROSSTALK ATTENUATION: 35dB MIN FROM 0.5MHz TO 40MHz
 - 33-20xLOG(f/50)dB MIN FROM 40.1MHz TO 100MHz
 - COMMON MODE REJECTION RATIO (CMRR): 30dB MIN FROM 0.5MHz TO 100MHz
 - ISOLATION VOLTAGE: 2250VDC (MAX) FOR 60 SECONDS WITH A RISE TIME OF 500V/SEC AND WITH ALL PORTS CONNECTED.
- 4. OPERATING TEMPERATURE: FROM 0°C TO + 70°C.
- 5 LED IS DRIVEN WITH CONSTANT CURRENT AT APPROX 20mA.
 - LED COLOR-DOMINANT WAVELENGTH(λD): GREEN 568nm TYP. AT IF=20mA
 - FORWARD VOLTAGE (VF): GREEN 2.2V TYP. AT IF=20mA
 - DOMINANT WAVELENGTH(λD): YELLOW 588nm TYP. AT IF=20mA
 - FORWARD VOLTAGE (VF): YELLOW 2.1V TYP. AT IF=20mA.
- 6 THE MAGNETICS ARE SYMMETRICAL AND SUPPORT AUTO-MDI/MDIX.
- 7 TRP CONNECTOR LOGO, PART NUMBER, DATE CODE, COUNTRY OF ORIGIN AND AGENCY APPROVAL MARKING IN APPROXIMATE LOCATION SHOWN.
- 8. THESE PARTS ARE RECOMMENDED FOR WAVE SOLDERING PROCESS, PEAK WAVE SOLDERING TEMPERATURE IS 265°C MAX, 10 SECONDS MAX.

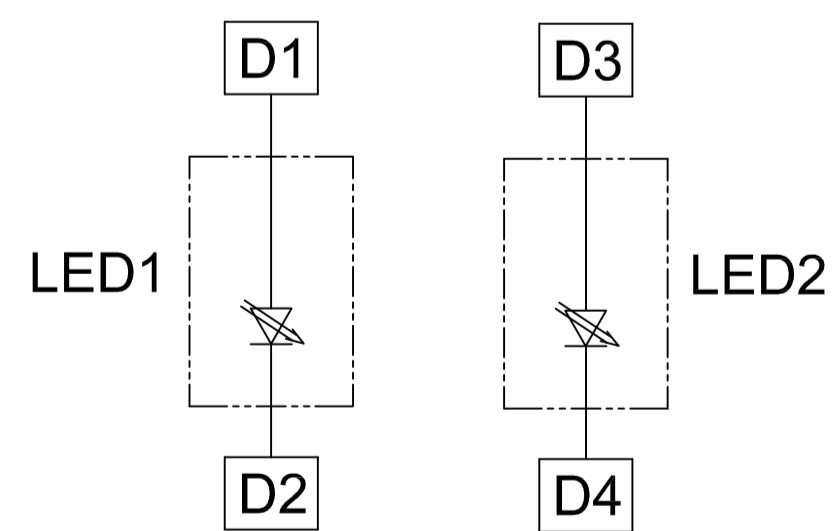
0.110±0.010	GREEN/YELLOW	GREEN/YELLOW	2-6610144-6
0.145±0.010	GREEN	YELLOW	6610144-8
0.145±0.010	GREEN/YELLOW	GREEN/YELLOW	6610144-6
DIM "A"	LED1 5	LED2 5	PART NUMBER

THIS DRAWING IS A CONTROLLED DOCUMENT.		DWN: A. FERNANDEZ 18MAR2005 CHK: D. FAROLE 18MAR2005 APPD: D. FAROLE 18MAR2005		TRP CONNECTOR a bel group DONGGUAN CHINA	
DIMENSIONS: INCHES 0 PLC ± - 1 PLC ± - 2 PLC ± .010 3 PLC ± .005 4 PLC ± - ANGLES ± -		TOLERANCES UNLESS OTHERWISE SPECIFIED: 0 PLC ± - 1 PLC ± - 2 PLC ± .010 3 PLC ± .005 4 PLC ± - ANGLES ± -		MODEL NAME: MAG-JACK GANG NON-POE DESC: 1X2 7G06 GIGABIT TAB UP W/ LED SIZE: A1 CAGE CODE: C-6610144 RESTRICTED TO: -	
PRODUCT SPEC: 108-2100		APPLICATION SPEC: -		CUSTOMER DRAWING	
		SCALE: NTS		SHEET 1 OF 2 REV G	

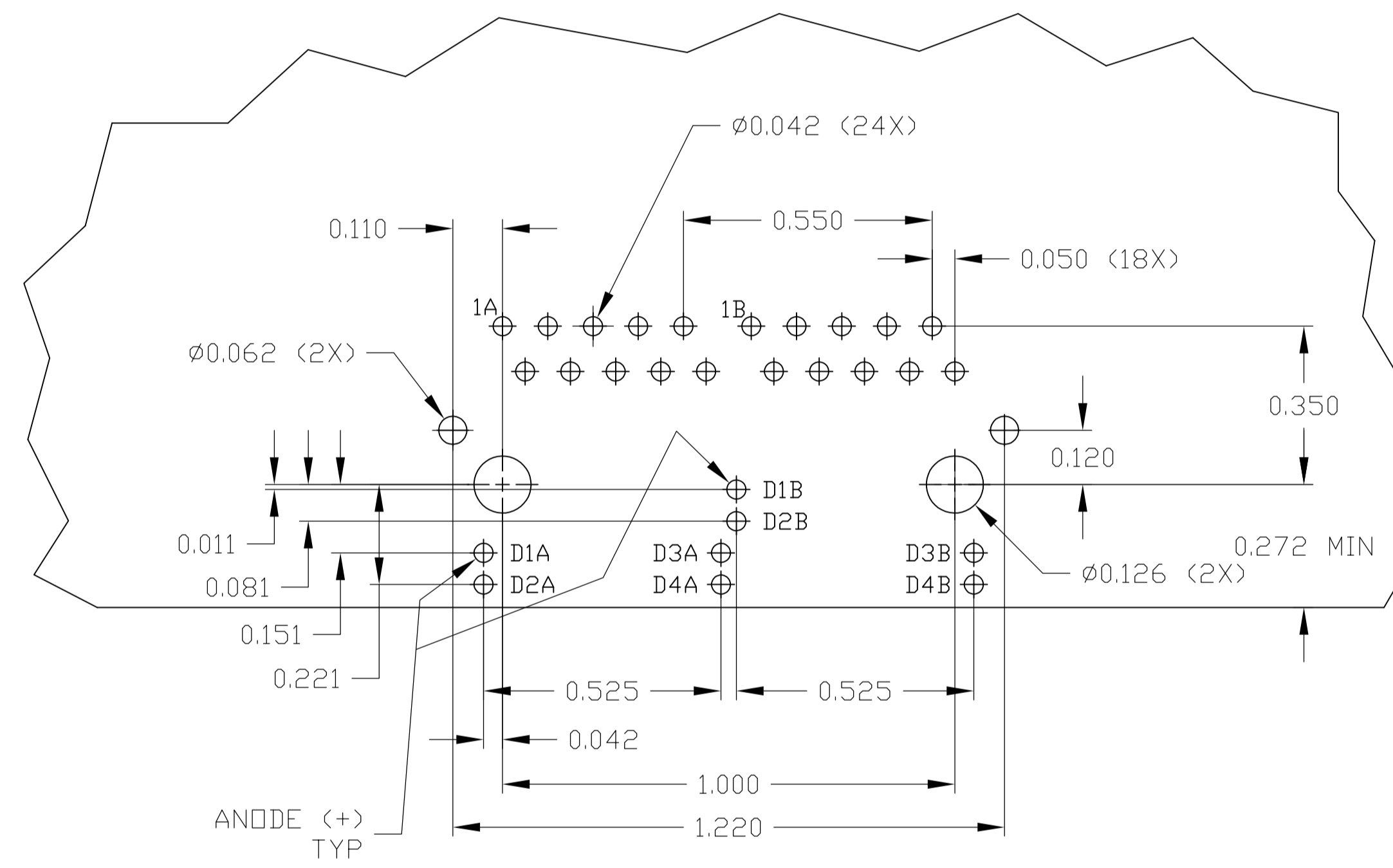
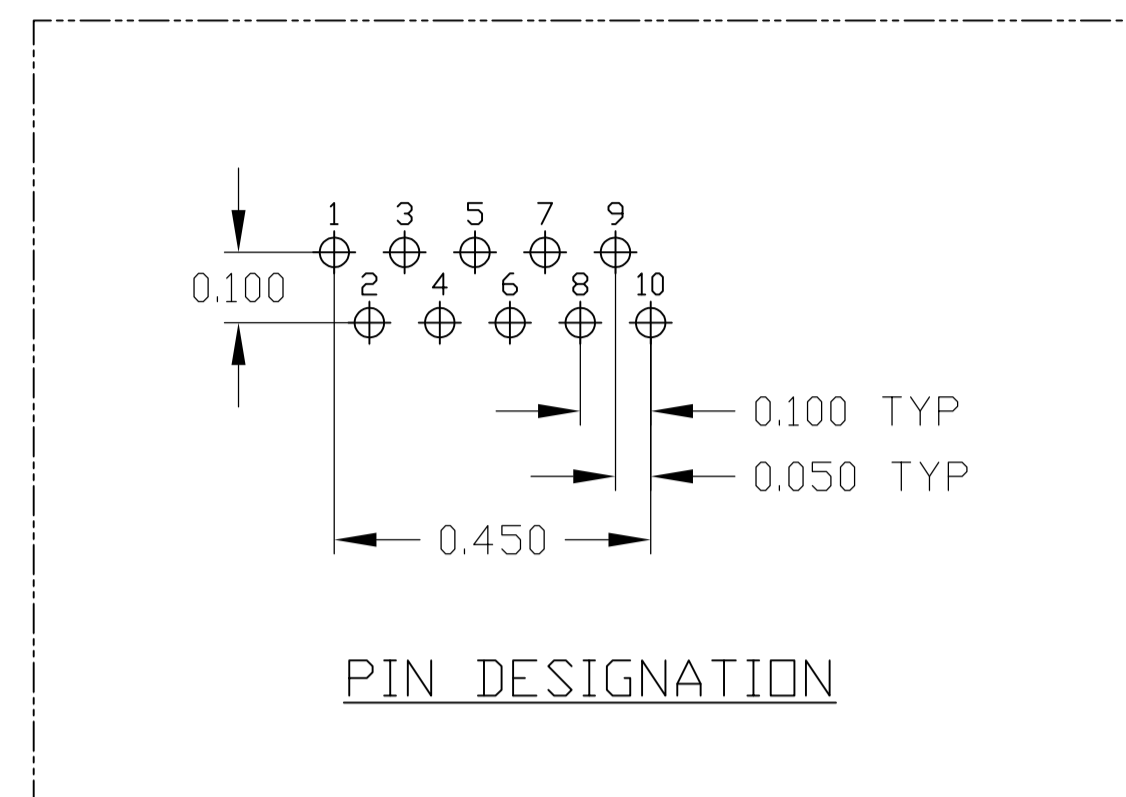
7G06 SERIES GIGABIT CIRCUIT




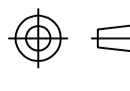
C1 = 1000pF, 2kV CAPACITOR.
 R1-R4 = 75 OHMS, 1/16W RESISTORS.
 C2-C5 = 0.1µF, 50V, X7R CAPACITORS.



LED CONFIGURATION
 6610144-8 ONLY



SUGGESTED PCB LAYOUT
 (Component Side)

THIS DRAWING IS A CONTROLLED DOCUMENT.		DWN: A. FERNANDEZ 18MAR2005 CHK: D. FAROLE 18MAR2005 APFD: D. FAROLE 18MAR2005 MODEL NAME:		 DONGGUAN CHINA	
DIMENSIONS: INCHES 		TOLERANCES UNLESS OTHERWISE SPECIFIED: 0 PLC ± - 1 PLC ± - 2 PLC ± .010 3 PLC ± .005 4 PLC ± - ANGLES ± - APPLICATION SPEC:		DESC: 1X2 7G06 GIGABIT TAB UP W/ LED SIZE: A1 CAGE CODE: C-6610144 DRAWING NO:	
PRODUCT SPEC: 108-2100		MAGJACK GANG NON-POE		RESTRICTED TO: - SCALE: NTS SHEET: 2 OF 2 REV: G	