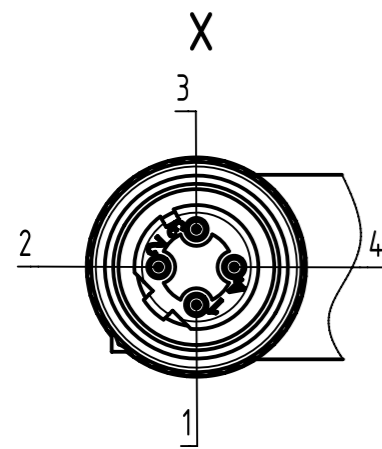


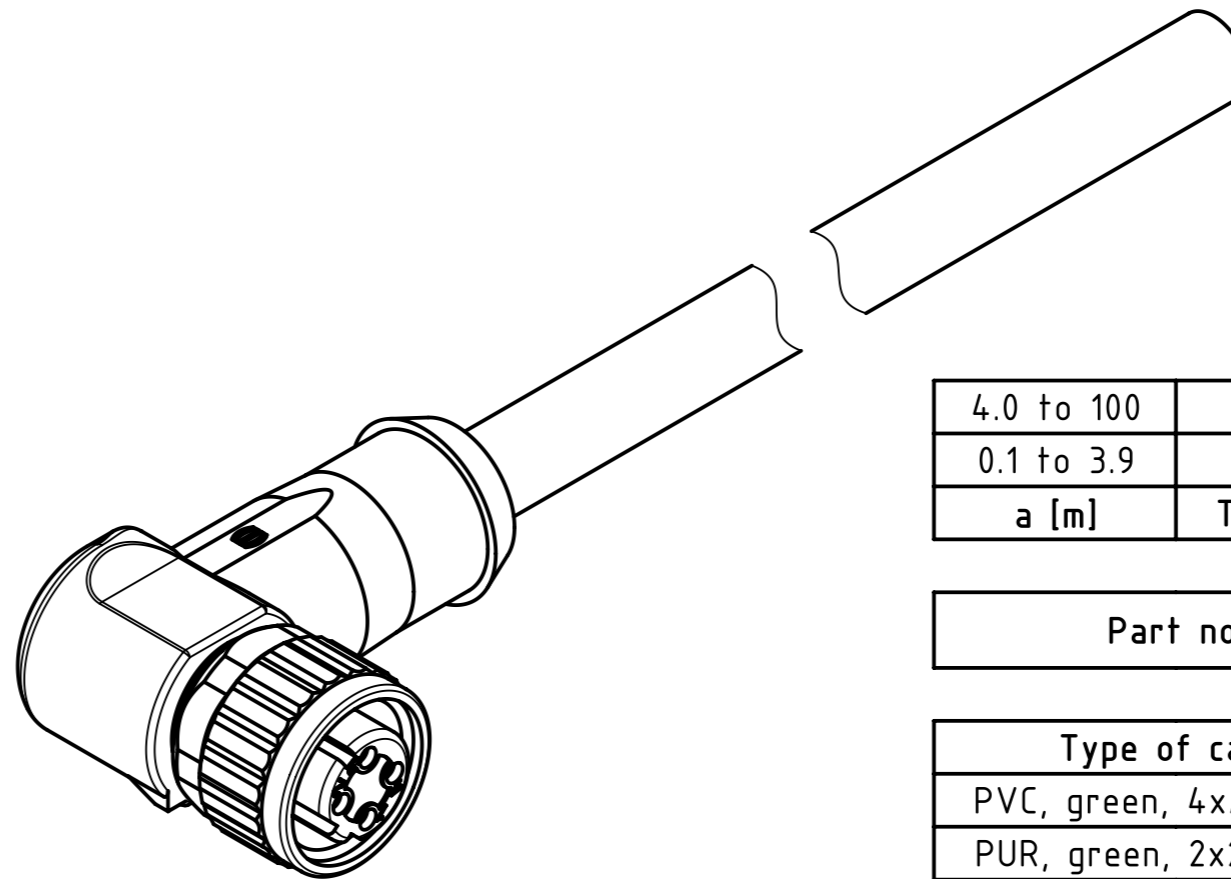
M12 D-coded 4 poles, angled overmolded female connector

X↑



Loading-Plan:

- shield
- 1 yellow
- 2 white
- 3 orange
- 4 blue



4.0 to 100	+1%
0.1 to 3.9	+0.04
<b>a [m]</b>	<b>Tolerance</b>

length in "1m" step	100	XXX=000
	99	XXX=990
	.	.
	.	.
length in "0.1m" step	12	XXX=120
	11	XXX=110
	10	XXX=100
	9.9	XXX=099
	9.8	XXX=098
	.	.
	0.4	XXX=004
	0.3	XXX=003
0.2	XXX=002	
0.1	XXX=001	
<b>Step</b>	<b>a [m]</b>	<b>XXX</b>

<b>Part no.</b>	213495004XXXXX
-----------------	----------------

<b>Type of cable</b>	XX
PVC, green, 4xAWG22/7	XX=05
PUR, green, 2x2xAWG22	XX=77

- Protection level: IP67  
 - Temperature range: -30°C ... +70°C

All rights reserved Department EC PD - RO HARTING Electronics GmbH D-32339 Espelkamp		All Dimensions in mm Original Size DIN A3	Scale 1:1 Free size tol.	Ref. Sub.	Created by TOMUTA Inspected by AVRAM Standardisation HOFFMANN Date 2014-08-21 State Final Release	Title M12 D-coded Cable Assembly Type TB Number 213495004XXXXX	Doc-Key / ECM-Nr. 100588514/UGD/000/A 50000079044 Rev. A Page 1/1
---	--	--	-----------------------------	--------------	---	--	---