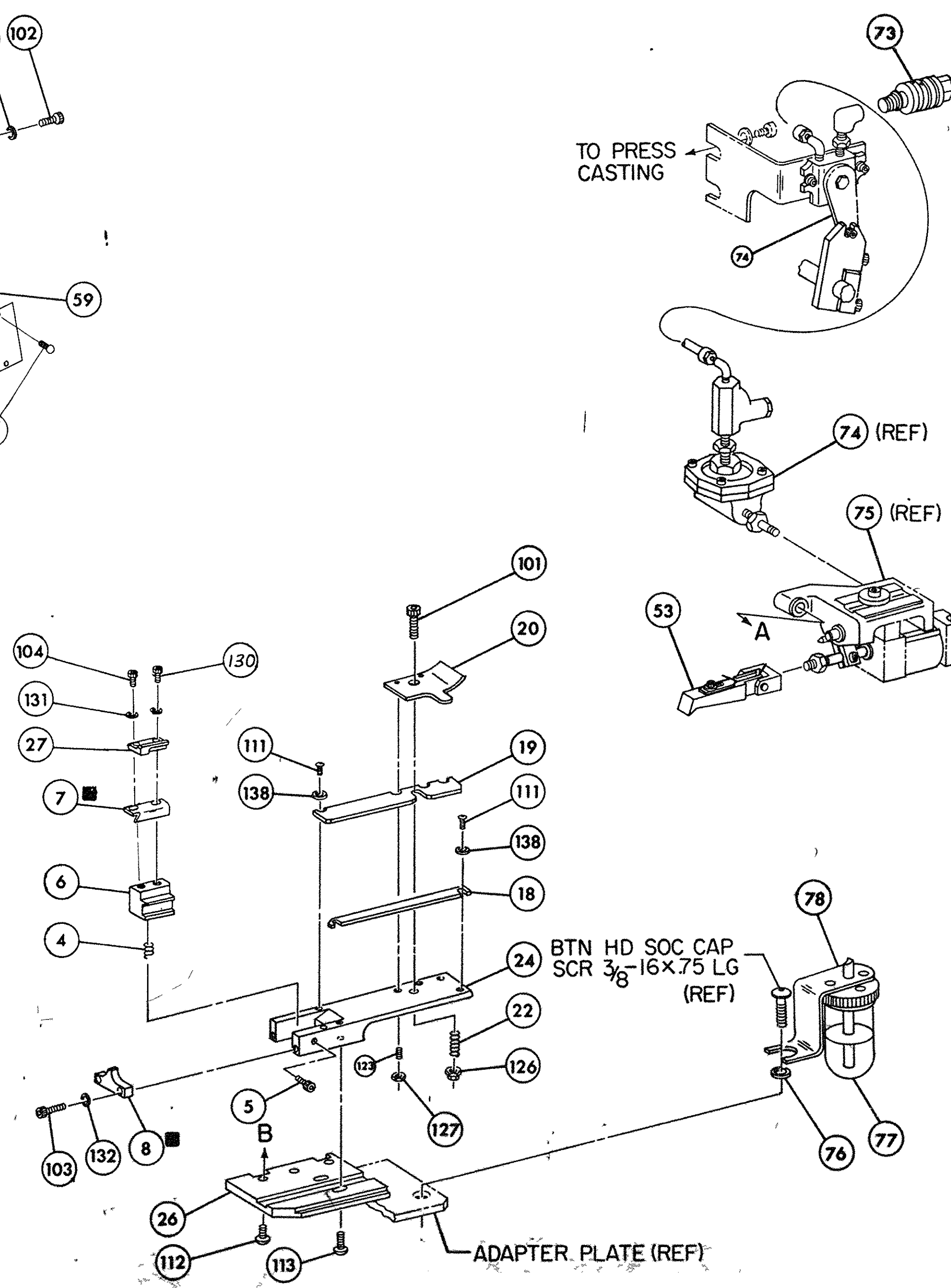


NOTES:  
 1. ONLY THE ITEMS WITH QUANTITIES SPECIFIED ARE USED ON THIS APPL.  
 ⚠️ GUARD MUST BE IN PLACE WHEN OPERATING APPL IN AMP-O-LECTRIC PRESS.

KEY:  
 ■ - RECOMMENDED SPARE PARTS, CUSTOMER RESPONSIBLE FOR REPLACEMENT.  
 ● - GREASE LIGHTLY.



| QTY | PART NO   | DESCRIPTION                                      | ITEM NO |
|-----|-----------|--|---------|
|     |           |  | 145     |
|     |           |  | 144     |
|     |           |  | 143     |
|     |           |  | 142     |
|     |           |  | 141     |
|     |           |  | 140     |
| 4   | 21899-2   | WASHER, FLAT (NO 6) STRIP GUIDES                 | 138     |
|     |           |  | 137     |
|     |           |  | 136     |
|     |           |  | 135     |
|     |           |  | 134     |
| 2   | 21024-5   | WASHER, LOCK (NO 10) AIR FEED ASSY               | 133     |
| 2   | 21024-4   | WASHER, LOCK (NO 8) ANVIL                        | 132     |
| 2   | 21024-3   | WASHER, LOCK (NO 6) STRIPPER & SHEAR             | 131     |
| 1   | 1-21000-9 | SCR, SOC HD CAP 6-32 X .375                      | 130     |
|     |           |  | 129     |
| 1   | 21019-1   | NUT, HEX MACH (1/4-20) RAM                       | 128     |
| 2   | 21018-6   | NUT, HEX MACH (8-32) DRAG ADJ SCREWS             | 127     |
| 1   | 21022-4   | NUT, HEX SELF-LKG (1/4-20) DRAG STUD             | 126     |
|     |           |  | 125     |
|     |           |  | 124     |
| 2   | 5-21061-5 | SCR, SKT SET CONE POINT (8-32 X .88) DRAG        | 123     |
| 1   | 21009-2   | SCR, SKT SET (1/4-20 X 25) (LOC-WEL) RAM         | 122     |
| 1   | 5-21008-4 | SCR, SKT SET (10-32 X .50) (LOC-WEL) RAM         | 121     |
|     |           |  | 120     |
|     |           |  | 119     |
|     |           |  | 118     |
|     |           |  | 117     |
|     |           |  | 116     |
|     |           |  | 115     |
| 4   | 2-21002-9 | SCR, BTN HD SKT CAP (10-32 X .75) HSG CAP        | 114     |
| 2   | 3-21002-3 | SCR, BTN HD SKT CAP (1/4-20 X .50) STR GDE PL    | 113     |
| 3   | 2-22733-9 | SCR, BTN HD SKT CAP (1/4-20 X .75) BASE PL       | 112     |
| 4   | 1-21002-8 | SCR, BTN HD SKT CAP (6-32 X .50) STRIP GUIDES    | 111     |
|     |           |  | 110     |
|     |           |  | 109     |
|     |           |  | 108     |
|     |           |  | 107     |
|     |           |  | 106     |
| 1   | 23030-1   | SCR, SKT HD CAP (6-32 X .25) (LOC-WEL) C.P. DISC | 105     |
| 1   | 2-21000-0 | SCR, SKT HD CAP (6-32 X .50) STRIPPER & SHEAR    | 104     |
| 2   | 2-21000-7 | SCR, SKT HD CAP (8-32 X .50) ANVIL               | 103     |
| 2   | 3-21000-9 | SCR, SKT HD CAP (10-32 X 1.00) AIR FEED ASSY     | 102     |
| 2   | 21001-7   | SCR, SKT HD CAP (1/4-20 X 1.25) DRAG & RAM       | 101     |
| 1   | 460980-1  | GUARD ASSY                                       | 79      |
|     | 465184-9  | LUBRICATOR ASSY                                  | 78      |
|     | 455985-1  | OIL, LUBRICATING                                 | 77      |
|     | 454406-1  | SPACER, LUB BRACKET                              | 76      |
| 1   | 460277-1  | AIR FEED ASSY                                    | 75      |
| 1   | 692655-1  | AIR FEED VALVE ASSY - 692655-5                   | 74      |
| 1   | 24042-2   | VALVE, SHUT-OFF                                  | 73      |
| 1   | 690603-1  | SPRING, ASSIST                                   | 72      |
|     |           |  | 71      |
| 1   | 464249-1  | PLATE, IDENTIFICATION                            | 70      |
| 2   | 21017-2   | SCREW, DRIVE                                     | 69      |
|     |           |  | 68      |
|     |           |  | 67      |
|     |           |  | 66      |
|     |           |  | 65      |
|     |           |  | 64      |
|     |           |  | 63      |
|     |           |  | 62      |
|     |           |  | 61      |
|     |           |  | 60      |

| QTY | PART NO | DESCRIPTION | ITEM NO |
|-----|---------|-------------|---------|
|     |         |             | 60      |
|     |         |             | 59      |
|     |         |             | 58      |
|     |         |             | 57      |
|     |         |             | 56      |
|     |         |             | 55      |
|     |         |             | 54      |
|     |         |             | 53      |
|     |         |             | 52      |
|     |         |             | 51      |
|     |         |             | 50      |
|     |         |             | 49      |
|     |         |             | 48      |
|     |         |             | 47      |
|     |         |             | 46      |
|     |         |             | 45      |
|     |         |             | 44      |
|     |         |             | 43      |
|     |         |             | 42      |
|     |         |             | 41      |
|     |         |             | 40      |
|     |         |             | 39      |
|     |         |             | 38      |
|     |         |             | 37      |
|     |         |             | 36      |
|     |         |             | 35      |
|     |         |             | 34      |
|     |         |             | 33      |
|     |         |             | 32      |
|     |         |             | 31      |
|     |         |             | 30      |
|     |         |             | 29      |
|     |         |             | 28      |
|     |         |             | 27      |
|     |         |             | 26      |
|     |         |             | 25      |
|     |         |             | 24      |
|     |         |             | 23      |
|     |         |             | 22      |
|     |         |             | 21      |
|     |         |             | 20      |
|     |         |             | 19      |
|     |         |             | 18      |
|     |         |             | 17      |
|     |         |             | 16      |
|     |         |             | 15      |
|     |         |             | 14      |
|     |         |             | 13      |
|     |         |             | 12      |
|     |         |             | 11      |
|     |         |             | 10      |
|     |         |             | 9       |
|     |         |             | 8       |
|     |         |             | 7       |
|     |         |             | 6       |
|     |         |             | 5       |
|     |         |             | 4       |
|     |         |             | 3       |
|     |         |             | 2       |
|     |         |             | 1       |

| REMARKS                      |  | NO             | REV            |
|------------------------------|--|----------------|----------------|
| APPL USED ON MACHINE PART NO |  | MACH SERIAL NO | DISTRIBUTION   |
| CUSTOMER NAME                |  | APPL SERIAL NO | ORIGINAL       |
| ADDRESS                      |  | PURCHASE ORDER | CUSTOMER COPY  |
| CITY                         |  | ENG APP        | FIELD ENG COPY |

| CRIMP | SIZE | TYPE | FEED | APPL INST |
|-------|------|------|------|-----------|
| WIRE  | .180 | F    | .300 | 8039      |
| INSUL |      |      |      |           |

| WIRE RANGE        | INSULATION RANGE | PRESS NO |
|-------------------|------------------|----------|
| 12,000-18,000 CMA |                  | 505435-5 |

REMARKS: PRE-FEED AMP-O-LECTRIC

REF ID: PLATE 464249-1

THIS DRAWING IS UNCLASSIFIED DATE 11-19-88 BY AMP INCORPORATED ALL RIGHTS RESERVED  
 AMP 3550

SET UP GAGE 10-1  
 DRG-13-77 APP-17  
 CHK 2-26  
 REL 4-17  
 LOC A  
 D NO 466667-1  
 REV C  
 NAME MINIATURE QUICK CHANGE APPLICATOR END FEED (THRU SPLICE)  
 DATE 11-88  
 APPDATE  
 AMP INCORPORATED  
 Harrisburg, Pa.