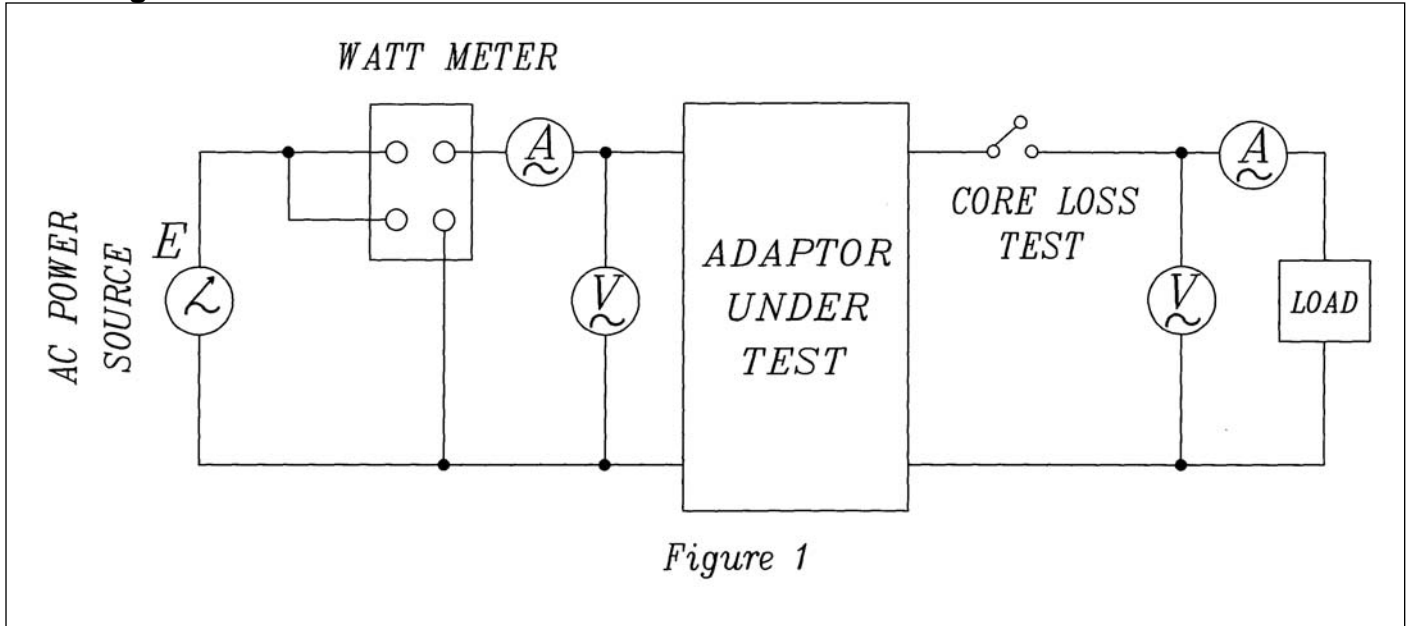
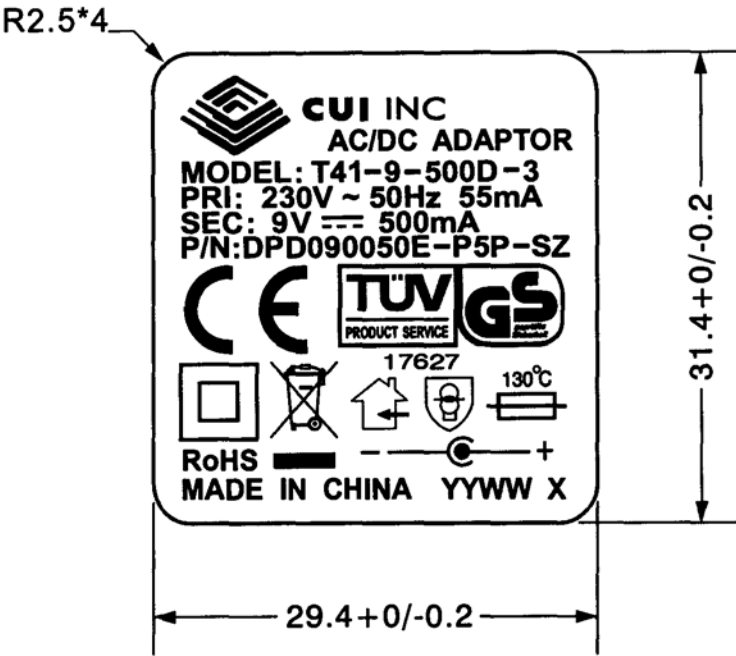



**Specifications**

Output voltage	9 V dc at 500 mA	
Primary rated input	230 V ac 50 Hz 55 mA	
Primary exciting current	50 mA rms max.	
Secondary rated voltage & current	no load voltage (max.)	14 V max.
	full load volatge (200 mA)	9 V \pm 5%
Temperature rise of primary winding (full load)	70°C max. using resistance method	
Insulation resistance	\geq 100 M Ohm at 500 V dc	
HI-POT test	from input to output for 1 min.	3000 V ac at 2 mA
	from input to output for 1 sec.	3750 V ac at 2 mA
	from primary to seconardy winding for 1 sec.	4500 V ac at 2 mA
	from primary winding to core for 1 sec.	4500 V ac at 2 mA
	from secondary winding to core for 1 sec.	1500 V ac at 2 mA
Safety standard	TUV/GS, CE	
RoHS compliant	yes	
Test conditions	Ambient temp	40°C \pm 2°C
	Humidity	90-95% 96 hours at Full Load
	Rated voltage	8 hours at full load
Color	Case	black
	Cord	black
	Plug top	black

Test Diagram

Label

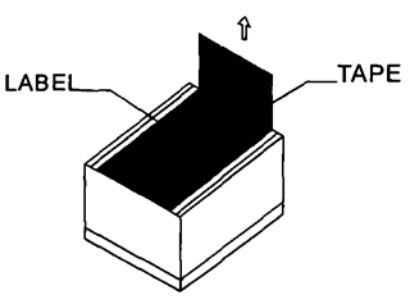


CUI INC
 AC/DC ADAPTOR
 MODEL: T41-9-500D-3
 PRI: 230V ~ 50Hz 55mA
 SEC: 9V --- 500mA
 P/N: DPD090050E-P5P-SZ

CE TÜV GS
 17627
 RoHS  130°C
 MADE IN CHINA YYWW X

Adhesive tape: 3m #44 tape 18 width
 Thickness: 0.2mm
 Material: PVC polyester
 Color: black on silver base

Remarks: YYWW S
 YY=production year
 WW=production week
 S=production location



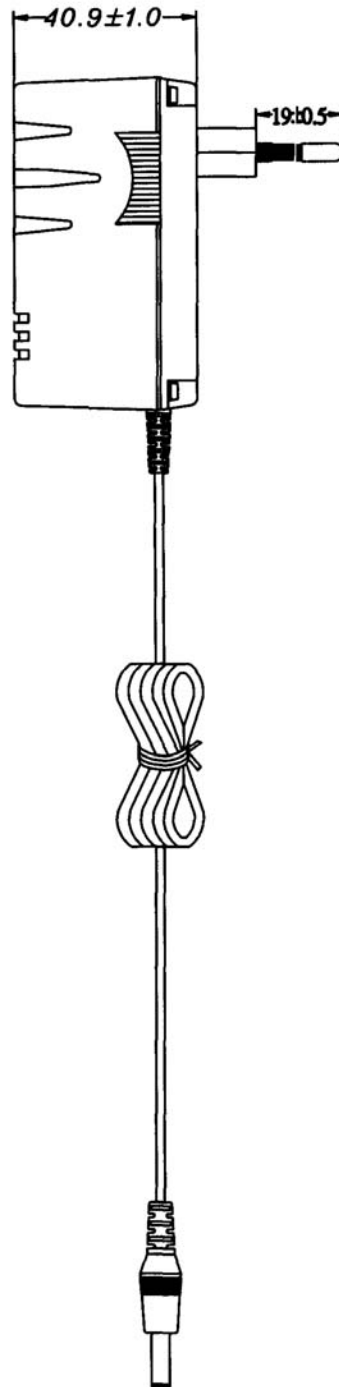
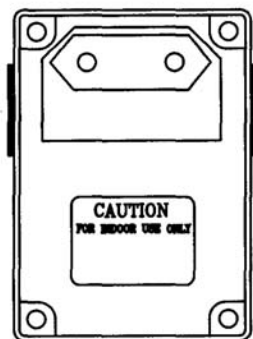
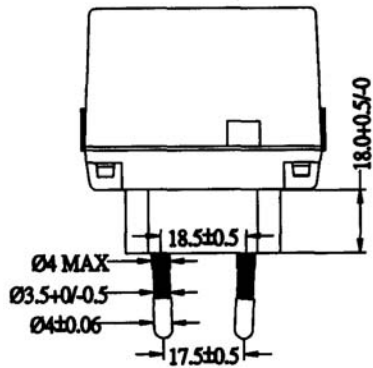
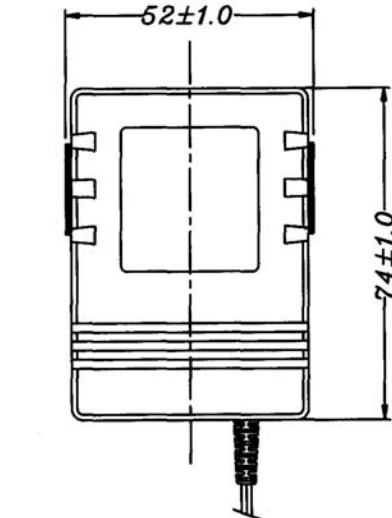


Mechanical Drawing

Tolerance: ± 1

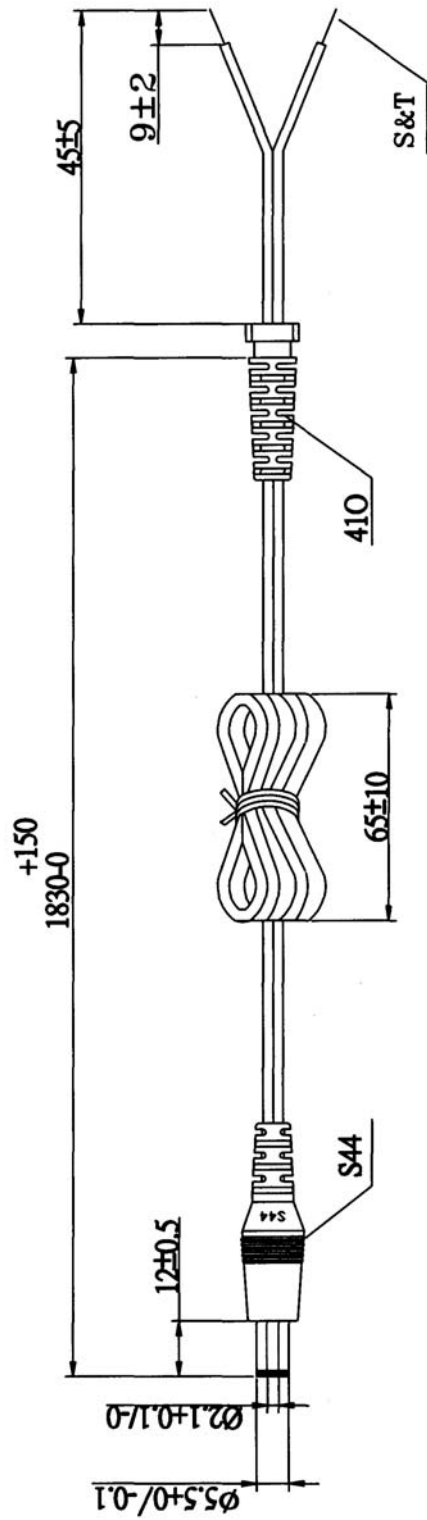
Weight

335 g





Cord



BLACK WIRE IN OUTER, BLACK/WHITE WIRE IN INNER

#24AWG X2C BLACK/WHITE

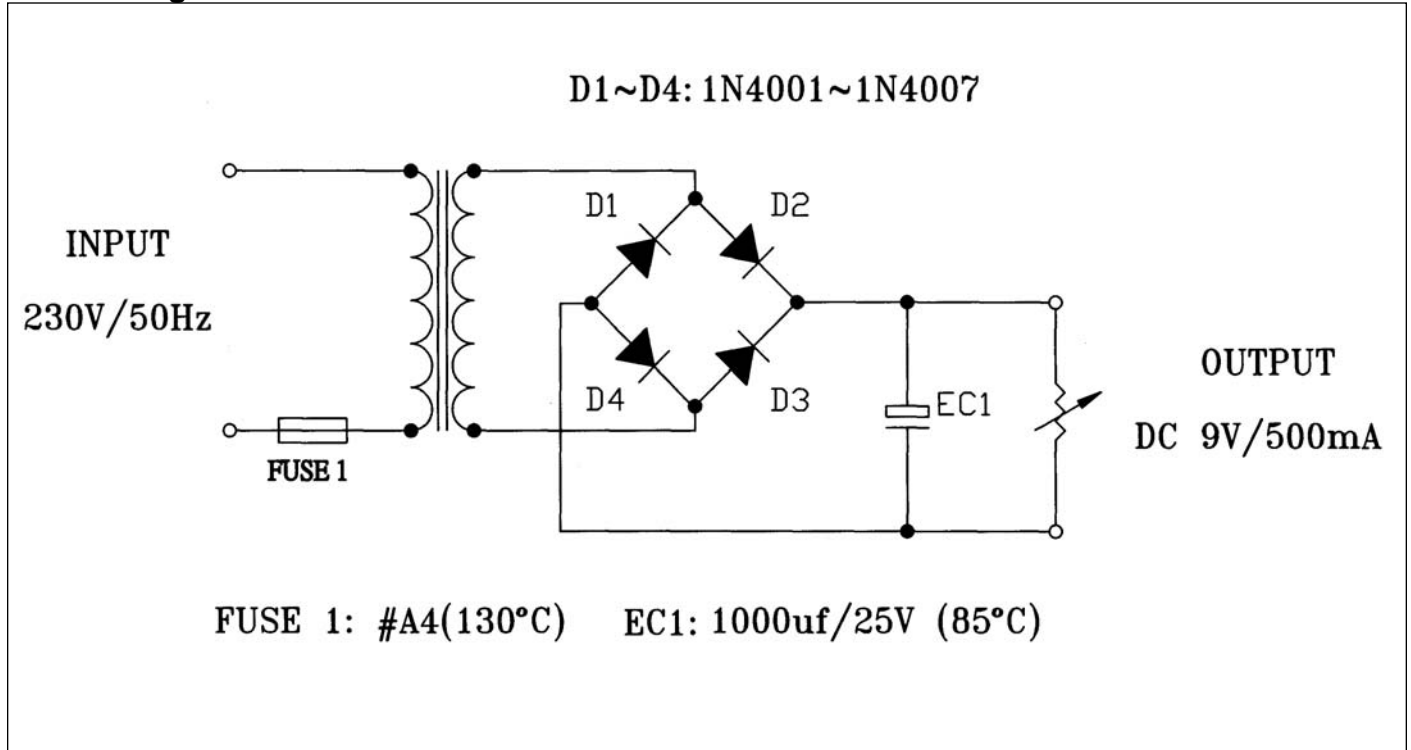


WIRE OD: Ø1.8X3.6

Parameter request	a. 360° b. WEIGHT 200g c. 40 ROUND/MINUTE d. OVER 1000 COUNT MIN
VIBRATION TEST	



Circuit Diagrams





CUI INC

Part No: DPD090050E-P5P-SZ

Date: 2/27/2006

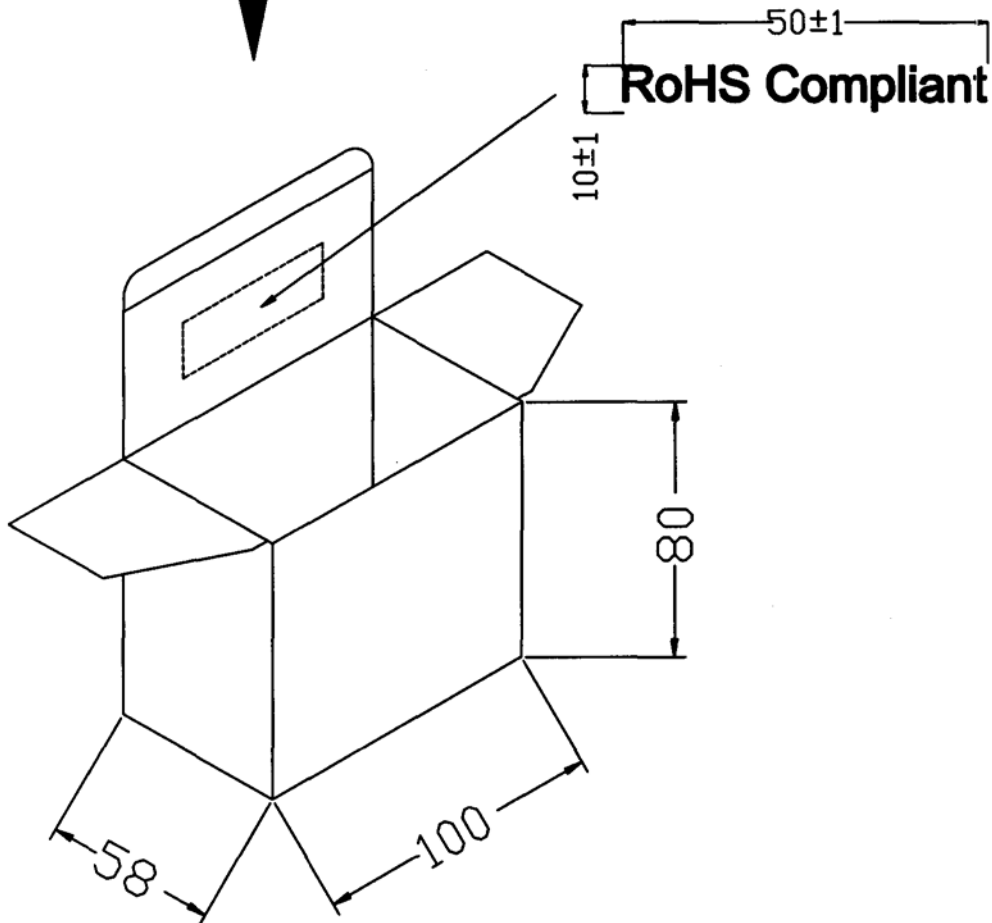
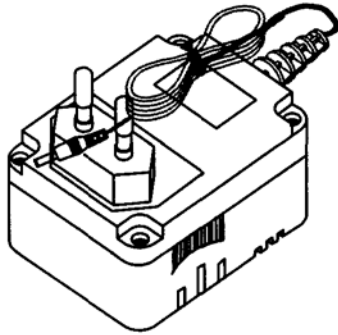
Unit: mm

Description: linear power supply

Page No: 6 of 7

Packaging

Tolerance: ± 1





Packaging

Tolerance: +7/-0

OUTSIDE CARTON:A=B(6mm)
INSIDE CARTON:A-B(3mm)
CARTON SIZE: 430x223x269mm

Q'TY: 40pcs(10X4X1)

