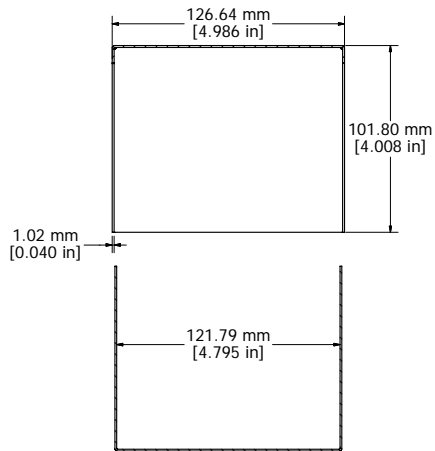
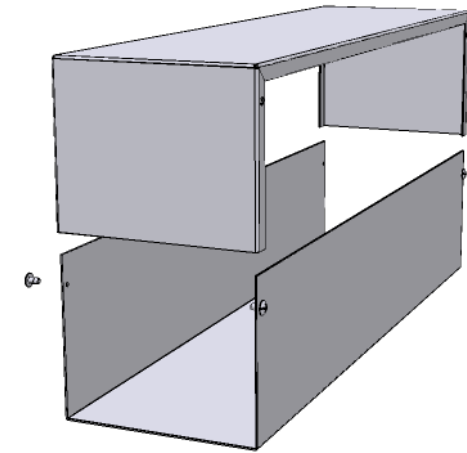


ASSEMBLY - VIEW FROM SIDE (OPEN)



SECTION BBB-BBB



- 12 GAUGE NATURAL ALUMINUM BODY - 1411ZU
- ASA 61 GREY POWDER PAINTED ALUMINUM BODY - 1411Z
- 0.040" THICK ALUMINUM PANELS
- FOUR 6-32 NICKEL PLATED SCREWS
- FOUR SELF ADHESIVE RUBBER FEET

Contact Factory mjm@hammondmfg.com for quotes
 Enclosures can be Factory Modified (Milling, Drilling, Printing etc.)
 Solid models of this enclosure available in STEP or IGES.



**HAMMOND
 MANUFACTURING™**

1411Z

www.hammondmfg.com