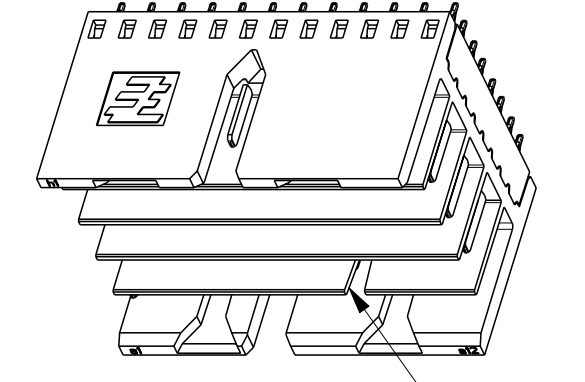
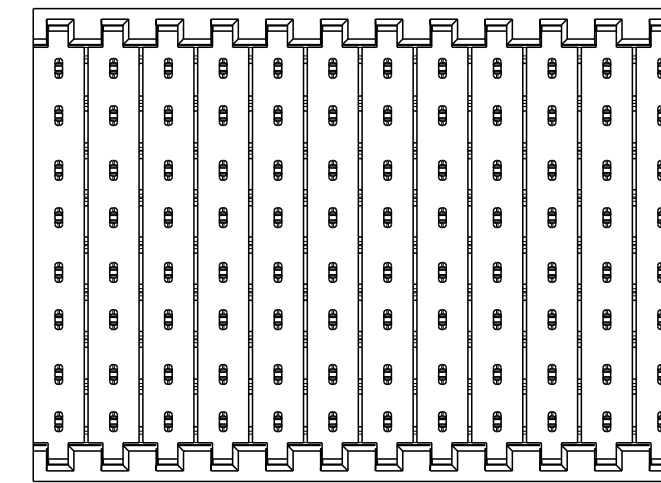
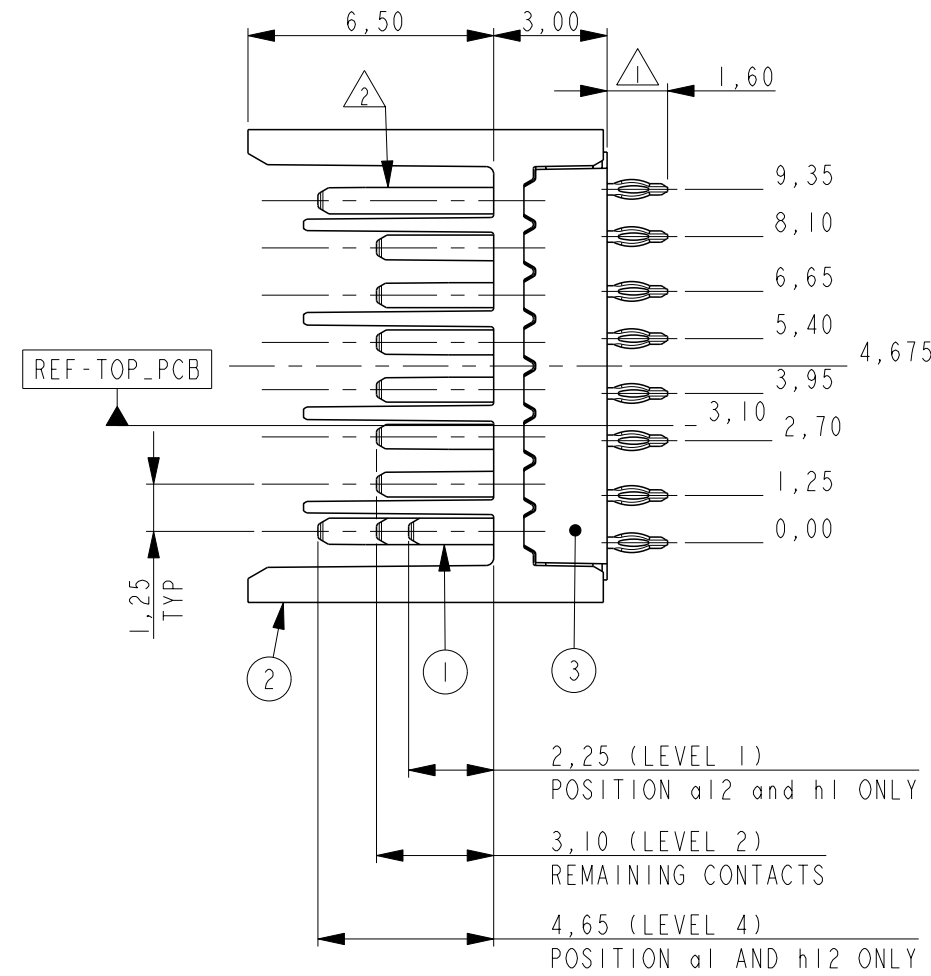
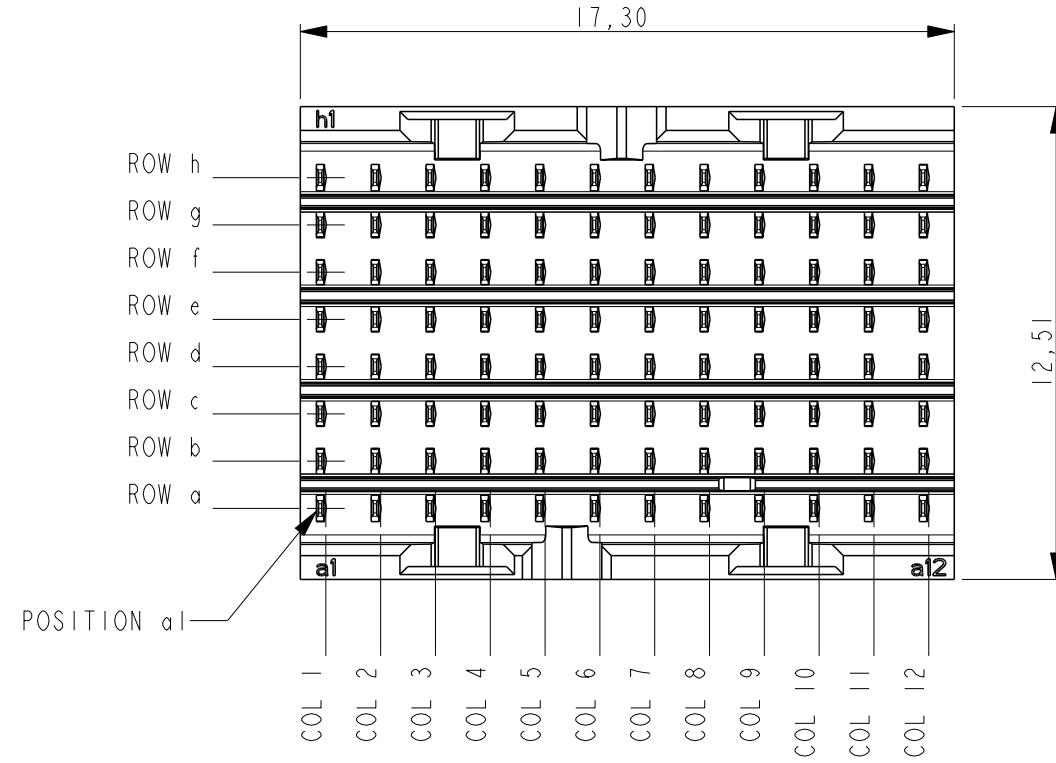
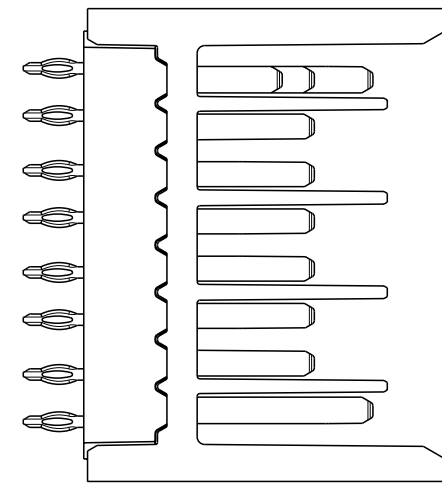
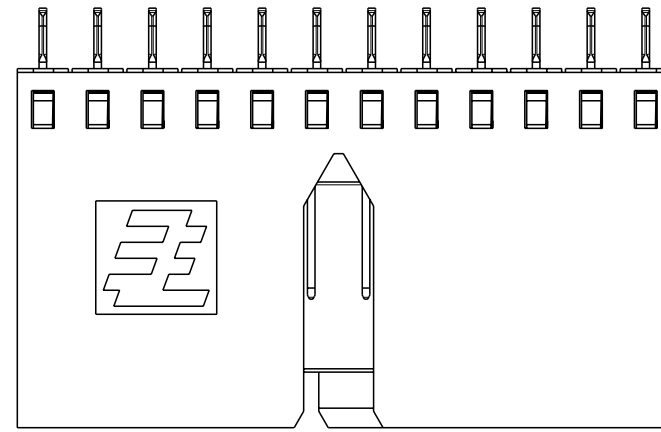
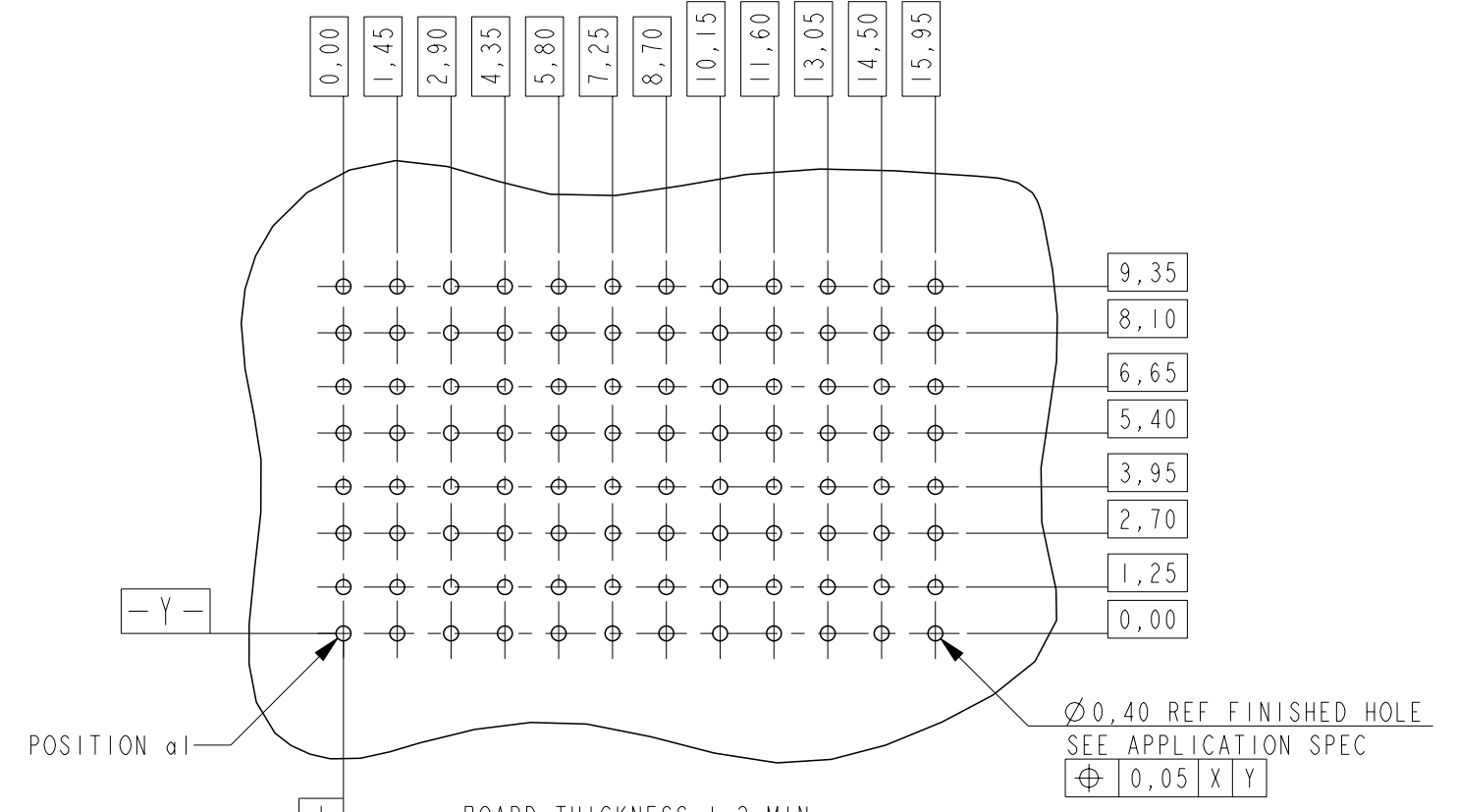
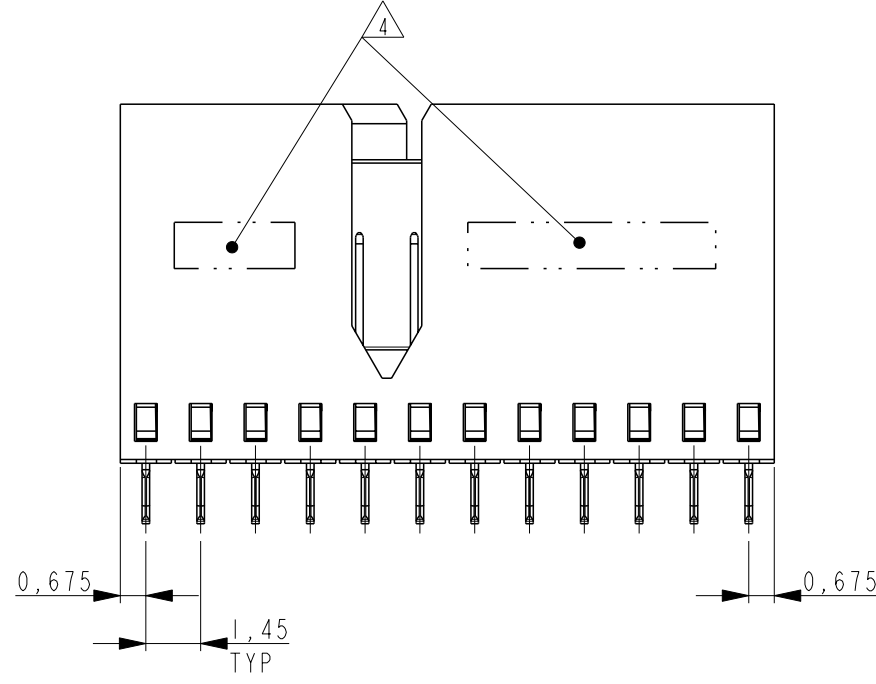


THIS DRAWING IS UNPUBLISHED. RELEASED FOR PUBLICATION
 © COPYRIGHT - BY TYCO ELECTRONICS CORPORATION. ALL RIGHTS RESERVED.

LOC	DIST	REVISIONS				
P	LTR	DESCRIPTION	DATE	DWN	APVD	
H	-	A	DRAWING RELEASED PER ECR-11-017294	22AUG2011	JvdH	TdB



SCALE 3:1 KEYING



NOTES:

- ⚠ PLATING: 0,5µm MIN. TIN OVER NICKEL.
- ⚠ PLATING:

PARTNUMBER	PERFORMANCE LEVEL
2042257-1	PERFORMANCE LEVEL 1: CONNECTOR TESTED AND QUALIFIED AGAINST TELCORDIA GR-1217-CORE QUALITY LEVEL III: UNCONTROLLED ENVIRONMENT APPLICATIONS. SEE PRODUCT SPEC 108-19353
2042257-2	PERFORMANCE LEVEL 2: CONFORMS TO ALL TESTING ACCORDING PRODUCT SPEC 108-19320, -250 MATING CYCLES, 4 DAYS MIXED GAS TEST PER IEC 60068-2-60 METHOD I

- 3 CONSULT APPLICATION SPEC OR CONTACT TE CONNECTIVITY FOR PERMISSIBLE CONTACT ASSIGNMENTS.
- ⚠ CONNECTOR MARKED WITH PARTNUMBER AND DATE CODE.
- 5 FOR PC-BOARD ROUTING RECOMMENDATIONS SEE SPEC 114-19140

PRODUCT HAS NOT COMPLETED QUALIFICATION TESTING

THIS DRAWING IS A CONTROLLED DOCUMENT.		DWN RA 13 MARCH 08
DIMENSIONS: mm		CHK RA 13 MARCH 08
TOLERANCES UNLESS OTHERWISE SPECIFIED:		APVD MW 13 MARCH 08
0 PLC ±±		PRODUCT SPEC
1 PLC ±±		SEE NOTE ⚠
2 PLC ±±±		APPLICATION SPEC
3 PLC ±±±±		114-19106
4 PLC ±±±±±		WEIGHT -
ANGLES ±		CUSTOMER DRAWING
FINISH ±		

3	OVERMOLD	LCP 30% GF NATURAL
2	HOUSING	LCP 30% GF NATURAL
1	CONTACT	COPPER ALLOY
ITEM NO.	DESCRIPTION	MATERIAL
STE TE Connectivity		
NAME MALE CONNECTOR Z-PACK Slim UHD		
SIZE	CAGE CODE	DRAWING NO
A2	00779	C-2042257
RESTRICTED TO	SCALE	SHEET OF REV
-	5:1	1 OF 1 A