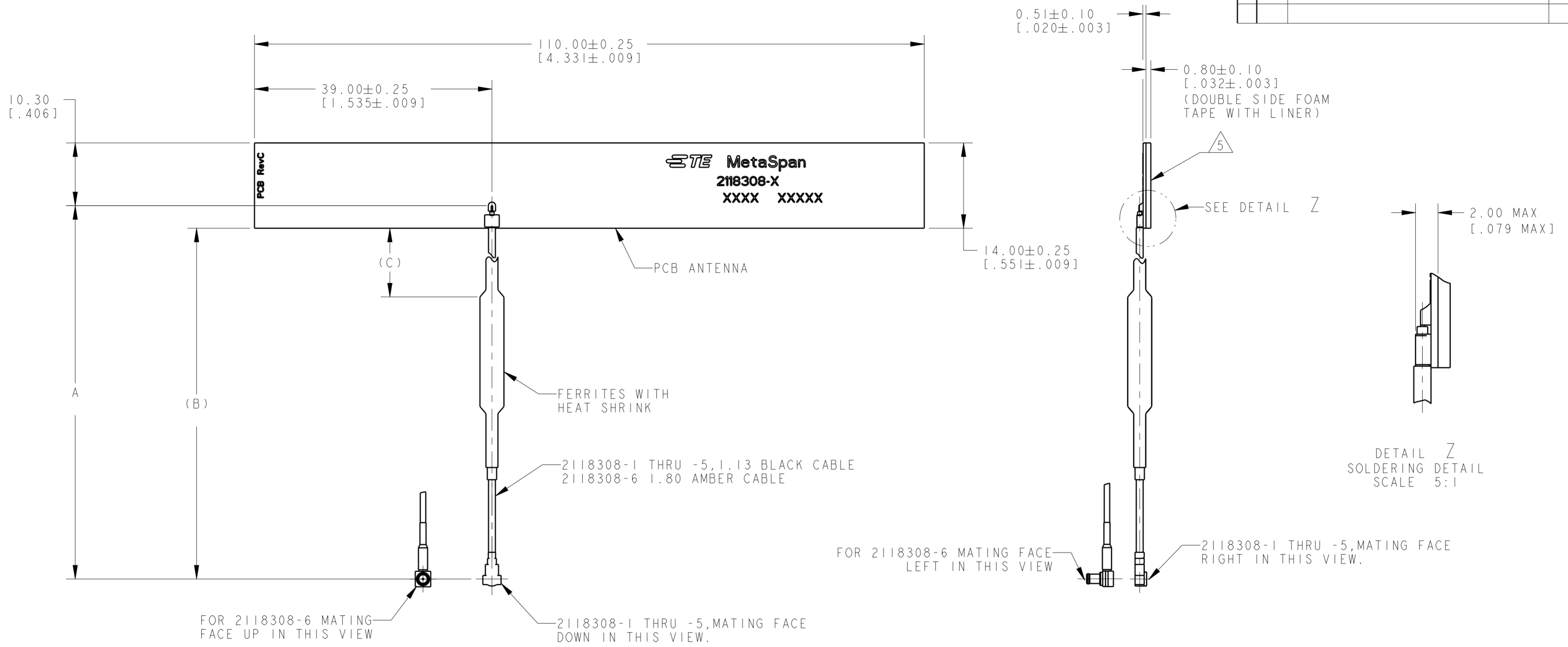


THIS DRAWING IS UNPUBLISHED. RELEASED FOR PUBLICATION 20  
 © COPYRIGHT 20 BY TYCO ELECTRONICS CORPORATION ALL RIGHTS RESERVED.

LOC	DIST	REVISIONS			
P	LTR	DESCRIPTION	DATE	DWN	APVD
00	AJ	B	REVISED PER ECO-15-012167	03AUG2015	AP JM
		C	REVISED PER ECO-17-011737	11AUG2017	AH AC
		D	REVISED PER ECO-18-000287	03JAN2018	CR JLM



- PRODUCT AND PROCESSING MEETS THE REQUIREMENTS OF TE CONNECTIVITY ENVIRONMENTAL STANDARD TEC-138-702.
- MINIMUM IDENTIFICATION INCLUDES: TE LOGO, MetaSpan, TE ASSEMBLY PART NUMBER, AND FOUR DIGIT DATE CODE (FIRST 2 DIGITS FOR THE WEEK CODE AND THE 2ND TWO DIGITS FOR THE YEAR CODE). PCB REVISION AT SEPARATE LOCATION.
- MATERIALS: PCB MATERIAL TOTAL THICKNESS: 0.51 [.020], SINGLE SIDE, 1/2 OUNCE COPPER.
- OVERPLATING: PLATING ON EXPOSED COPPER AREAS TO BE E.N.I.G. FINISH.
- REMOVE LINER FROM DOUBLE SIDED FOAM TAPE 3M VHB RP32 TO APPLY ANTENNA IN APPLICATION.
- PRODUCT PACKAGED IN A BAG.
- CUSTOMER SPECIFIC REQUIRED LABELS TO BE PLACED ON BAGS AND BOXES
- THIS PART IS SPECIAL PACKAGED AND IS NOT FOR GENERAL SALES. USE "-3" VERSION FOR GENERAL SALES.

7	8	MHF	0.70	146.30 (5.759)	150.00 (5.905)	2118308-7
		MCX RA PLUG	0.40	190.0(7.48)	193.7(7.626)	2118308-6
		MHF	0.70	200.0(7.874)	203.7(8.02)	2118308-5
		MHF	0.70	496.30(19.539)	500.00(19.685)	2118308-4
		MHF	0.70	146.30(5.759)	150.00(5.905)	2118308-3
		MHF 4L	0.70	116.30(4.579)	120.00(4.724)	2118308-2
		MHF	0.70	116.30(4.579)	120.00(4.724)	2118308-1
(CONNECTOR TYPE)		C REF	B REF	A ±5.00 (±.196)	PART NUMBER	

THIS DRAWING IS A CONTROLLED DOCUMENT.

DIMENSIONS: mm [INCHES]	TOLERANCES UNLESS OTHERWISE SPECIFIED: 0 PLC ± 1 PLC ± 2 PLC ± 3 PLC ± 4 PLC ± ANGLES ± FINISH	DWN K. FOLTZ 01MAR2013 CHK G. GRIFFITH 04MAR2013 APVD G. GRIFFITH 04MAR2013	NAME 4 G WORLD BAND MetaSpan CABLED PCB GP INDEPENDENT
MATERIAL		PRODUCT SPEC APPLICATION SPEC	SIZE CAGE CODE DRAWING NO RESTRICTED TO A200779 C-2118308
CUSTOMER DRAWING		WEIGHT	SCALE SHEET OF REV D