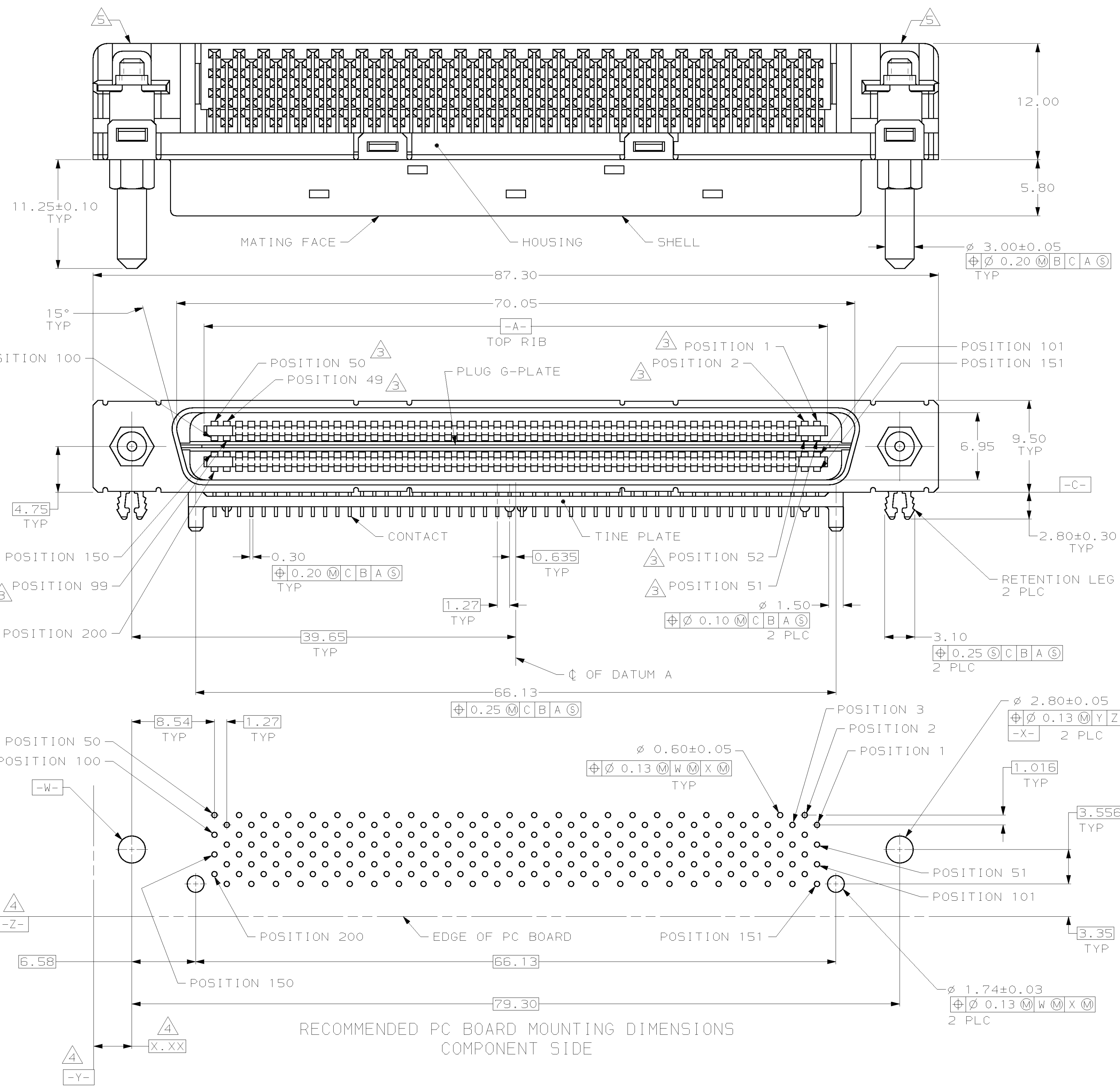
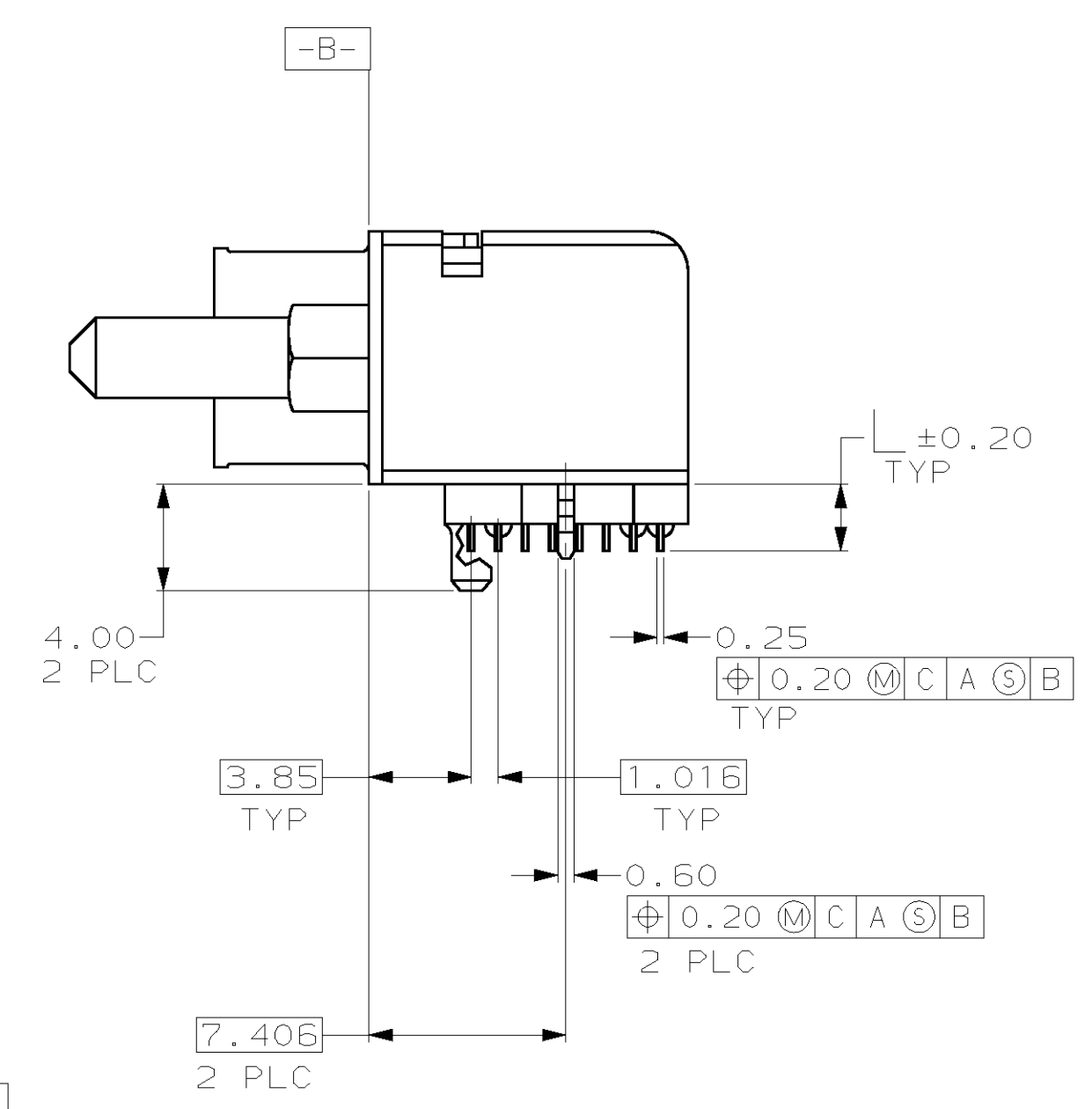


REVISONS		DATE	OWN	APPROV
0	RELEASED PER NPR 5576 WAS 96-1998-1-2	25 SEP 96	-	-
A	REV PER EC 0410-434-97	10 NOV 97	CD	JM
B	ADDED -2 PER EC 0640-110-99	11 MAR 99	MB	SL



- ① HOUSING AND TINE PLATE: POLYESTER, NATURAL.  
CONTACTS: COPPER ALLOY.  
SHELL: CARBON STEEL.  
RETENTION LEG AND GUIDE PIN: BRASS.  
PLUG G-PLATE: STAINLESS STEEL.
- ② SHELL: 3.00µm MIN NICKEL OVER 1.30µm MIN COPPER.  
RETENTION LEG: 2.00µm MIN TIN-LEAD OVER 1.00µm MIN NICKEL.  
GUIDE PIN: 5.08µm MIN NICKEL OVER 6.35µm MIN COPPER.  
CONTACTS: 0.76µm MIN GOLD FOR A LENGTH OF 3.00 MIN FROM MATING END,  
2.54 µm MIN TIN-LEAD FOR A LENGTH OF 2.80 MIN FROM OPPOSITE END,  
BOTH OVER 1.27µm MIN NICKEL.
- ③ CONTACTS 1,2,49,50,51,52,99 AND 100, ARE SEQUENCED TOWARDS MATING FACE.
- ④ DATUMS AND BASIC DIMENSIONS ESTABLISHED BY CUSTOMER.
- ⑤ DATE CODE MAY BE MARKED ON EITHER END.



RECOMMENDED PC BOARD MOUNTING DIMENSIONS  
COMPONENT SIDE

3.18	787855-2
2.50	787855-1
L	PART NUMBER

THIS DRAWING IS A CONTROLLED DOCUMENT.		DWN C. DORWART 07 OCT 96	25 SEP 96	AMP Incorporated Harrisburg, PA 17105-3608
DIMENSIONS: mm		CHK J. MOSIER 07 OCT 96		
TOLERANCES UNLESS OTHERWISE SPECIFIED:		APPROV J. MOSIER 07 OCT 96		NAME <b>PLUG ASSEMBLY, RIGHT ANGLE .050 CHAMP™</b>
0 PLC ± 1 PLC ± 2 PLC ±0.25 3 PLC ± 4 PLC ± UNLESS OTHERWISE SPECIFIED		PRODUCT SPEC		
MATERIAL		WEIGHT		SIZE A1 00779
FINISH		CUSTOMER DRAWING		DRAWING NO <b>787855</b> SCALE 4:1 SHEET 1 OF 1 REV B