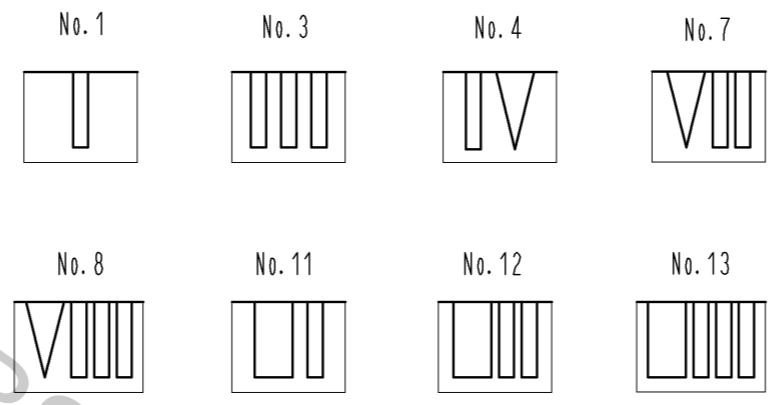
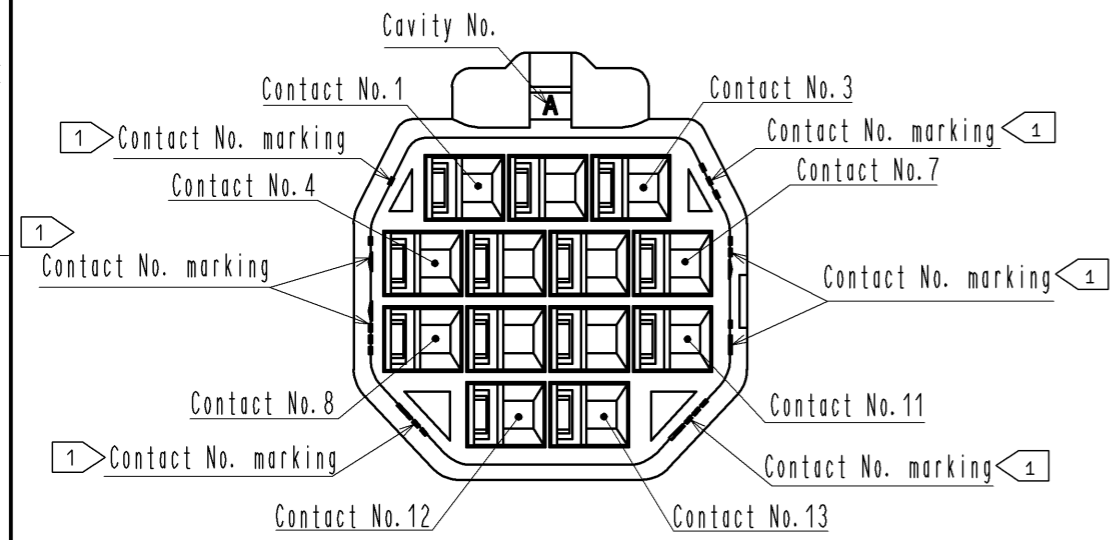
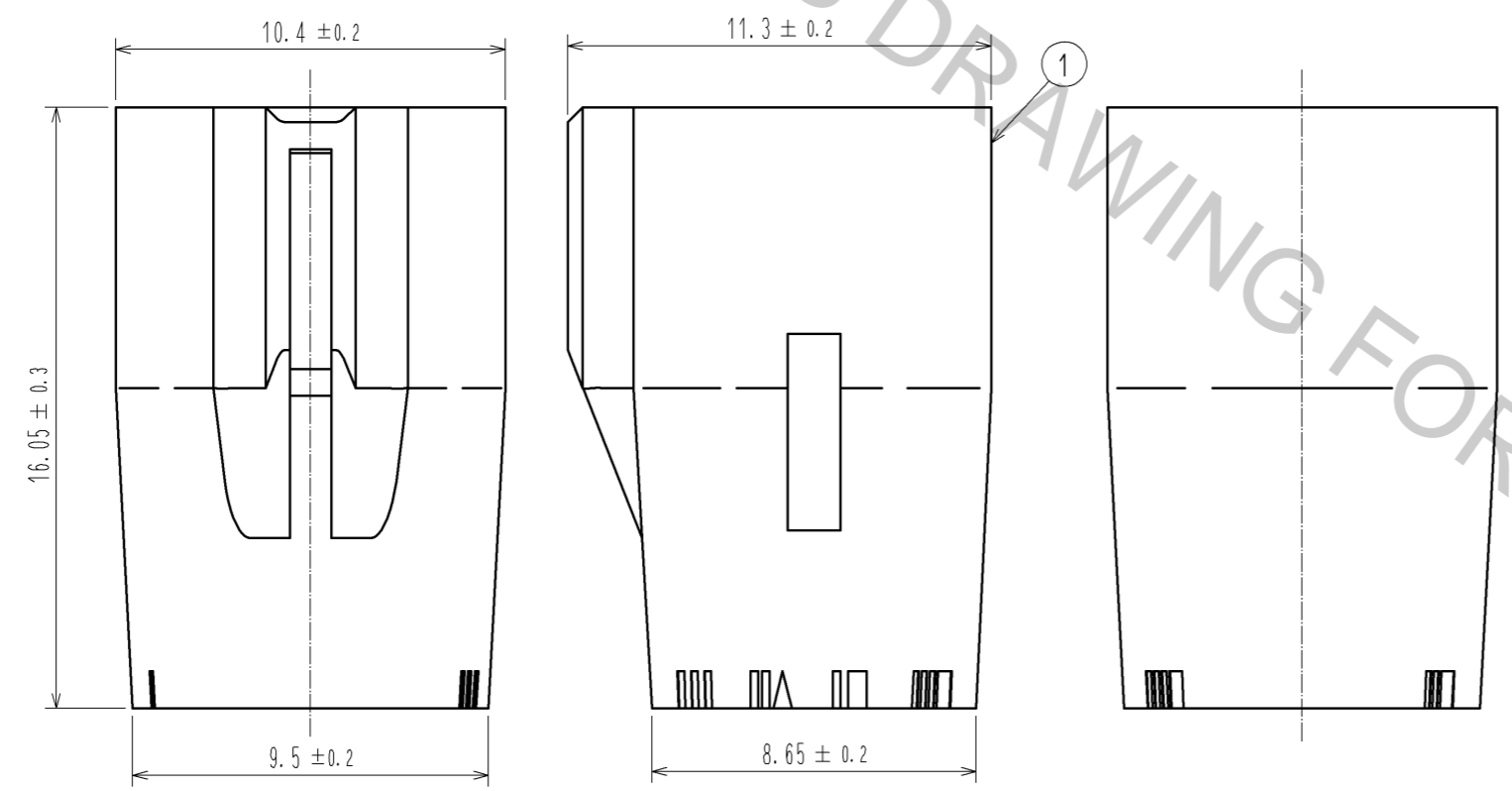
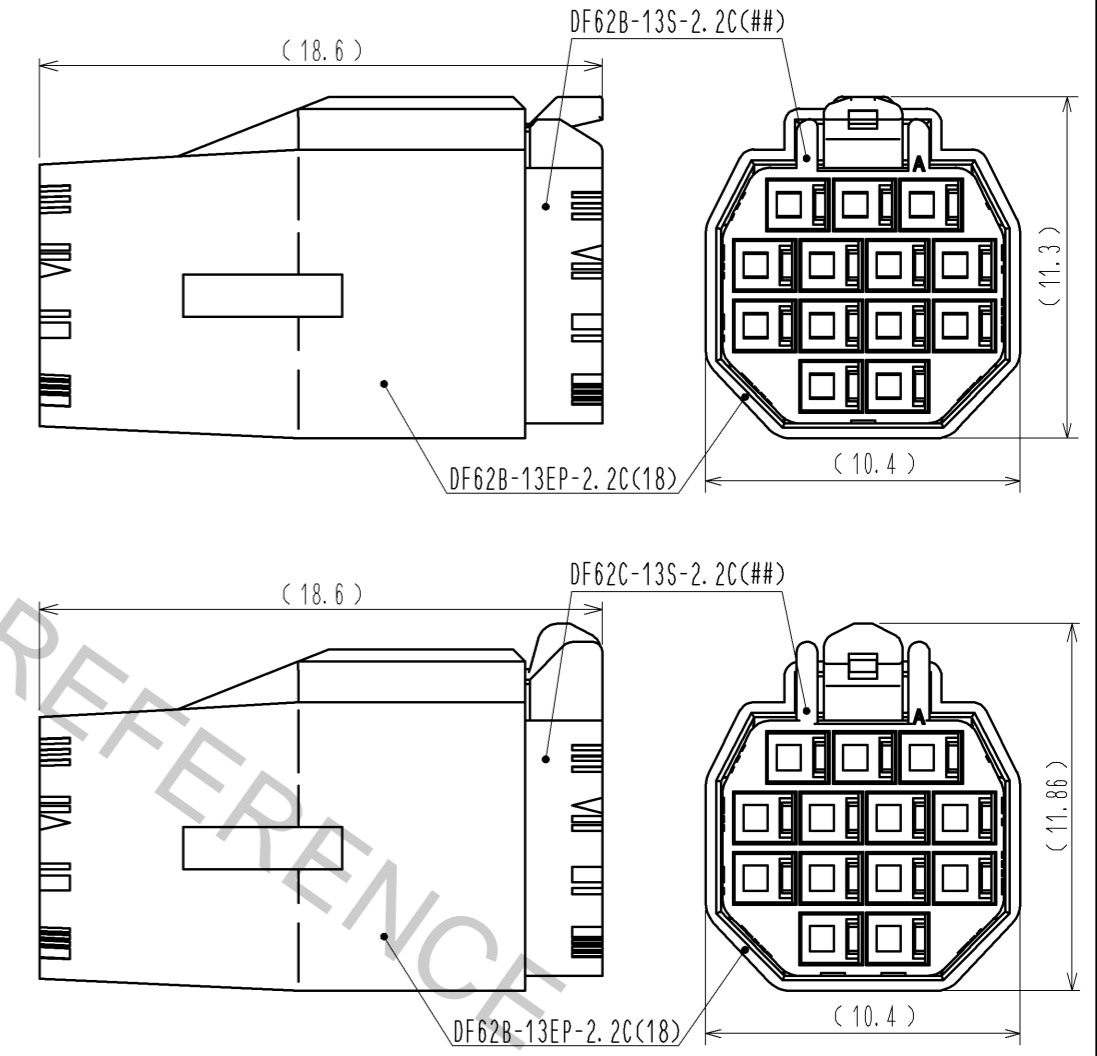


Figure-1 Contact No. marking (10:1)



Mating figure (Free)



- Note.
- 1 Markings at the indicated positions are contact No. marking. And shapes are shown in Figure-1.
 - 2 Per pack : 100 pieces.
 - 3 The dimensions in parenthesis are for reference.
 - 4 UL (File No. E52653), C-UL (File No. E52653) approved product.



NO.		MATERIAL		FINISH . REMARKS		1	PBT	UL94V-0 (RED)
UNITS mm		SCALE 5 : 1		COUNT		DESIGNED		CHECKED
HRS		HIROSE ELECTRIC CO., LTD.		APPROVED : KI. AKIYAMA		14.06.06		DRAWING NO.
				CHECKED : TS. FUKUSHIMA		14.06.06		PART NO.
				DESIGNED : TS. KUMAZAWA		14.06.06		CODE NO.
				DRAWN : TS. KUMAZAWA		14.06.06		CL544-0564-1-18
								EDC3-351969-02
								DF62B-13EP-2.2C(18)
								1/1