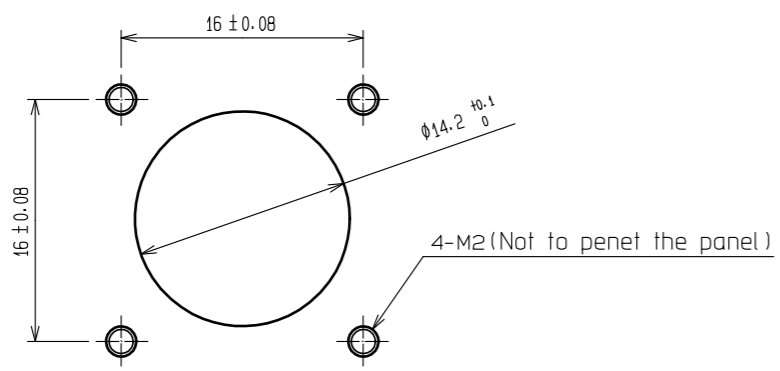
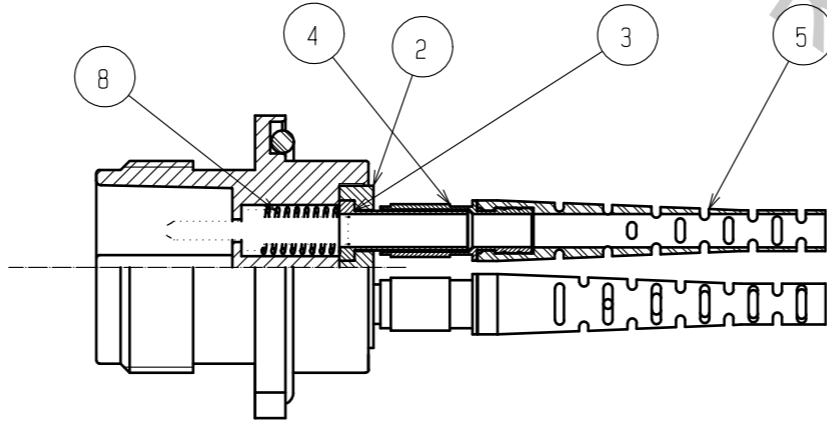
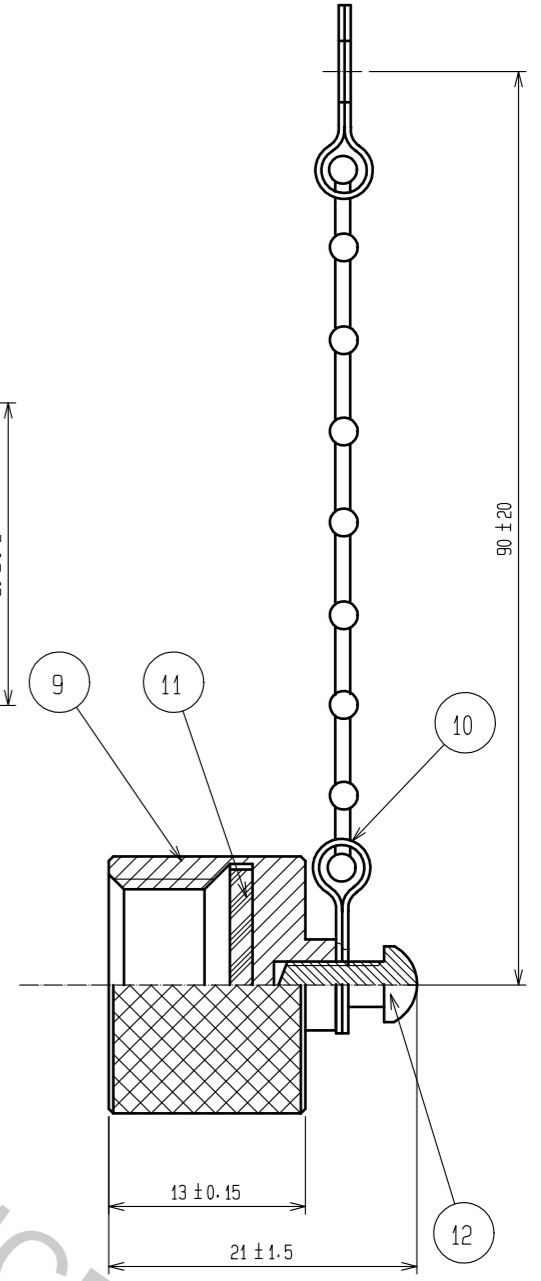
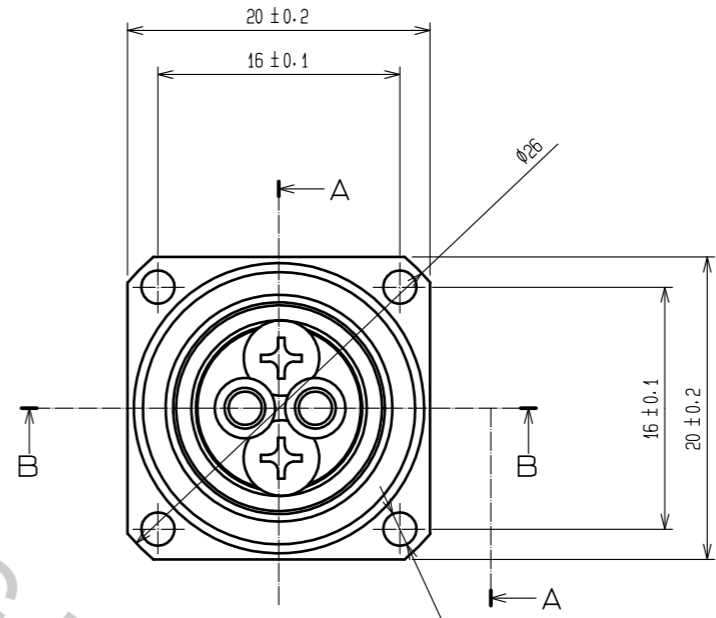
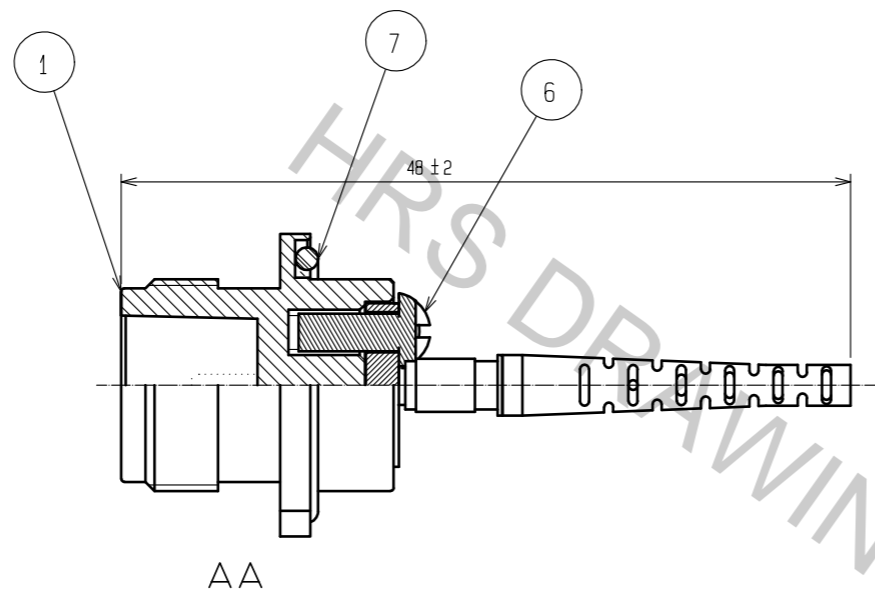
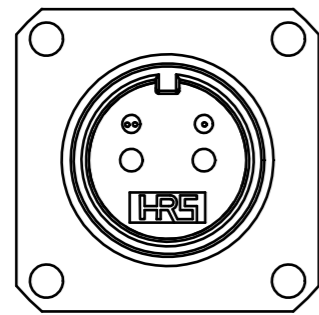


Aug.1.2018 Copyright 2018 HIROSE ELECTRIC CO., LTD. All Rights Reserved.
 In case that the application demands a high level of reliability, such as automotive,
 please contact a company representative for further information.



Panel cutout

6	Stainless steel		12	Stainless steel	Nyrock
5	Synthetic resin	Mauve	11	Synthetic rubber	
4	Brass	Nickel plating	10	Stainless steel	
3	Brass	Nickel plating	9	Aluminum alloy	Anodic oxide coating(Black)
2	Brass	Nickel plating	8	Piano wire	zinc plating
1	Zinc die casting	Nickel plating	7	Synthetic rubber	
NO.	MATERIAL	FINISH . REMARKS	NO.	MATERIAL	FINISH . REMARKS

UNITS mm		SCALE 2 : 1	COUNT 	DESCRIPTION OF REVISIONS	DESIGNED	CHECKED	DATE
HIROSE ELECTRIC CO., LTD.				APPROVED : MT. SHIBUTANI 18.03.30 CHECKED : MT. SHIBUTANI 18.03.30 DESIGNED : SI. MATSUMOTO 18.03.30 DRAWN : SR. TOYOKAWA 18.03.30	DRAWING NO. EDC-176272-32-00 PART NO. MF10S-WDRFC01-0200(32) CODE NO. CL709-0526-1-32		