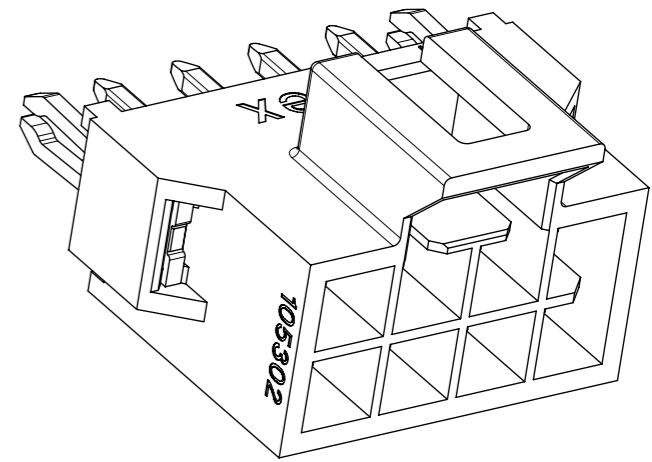
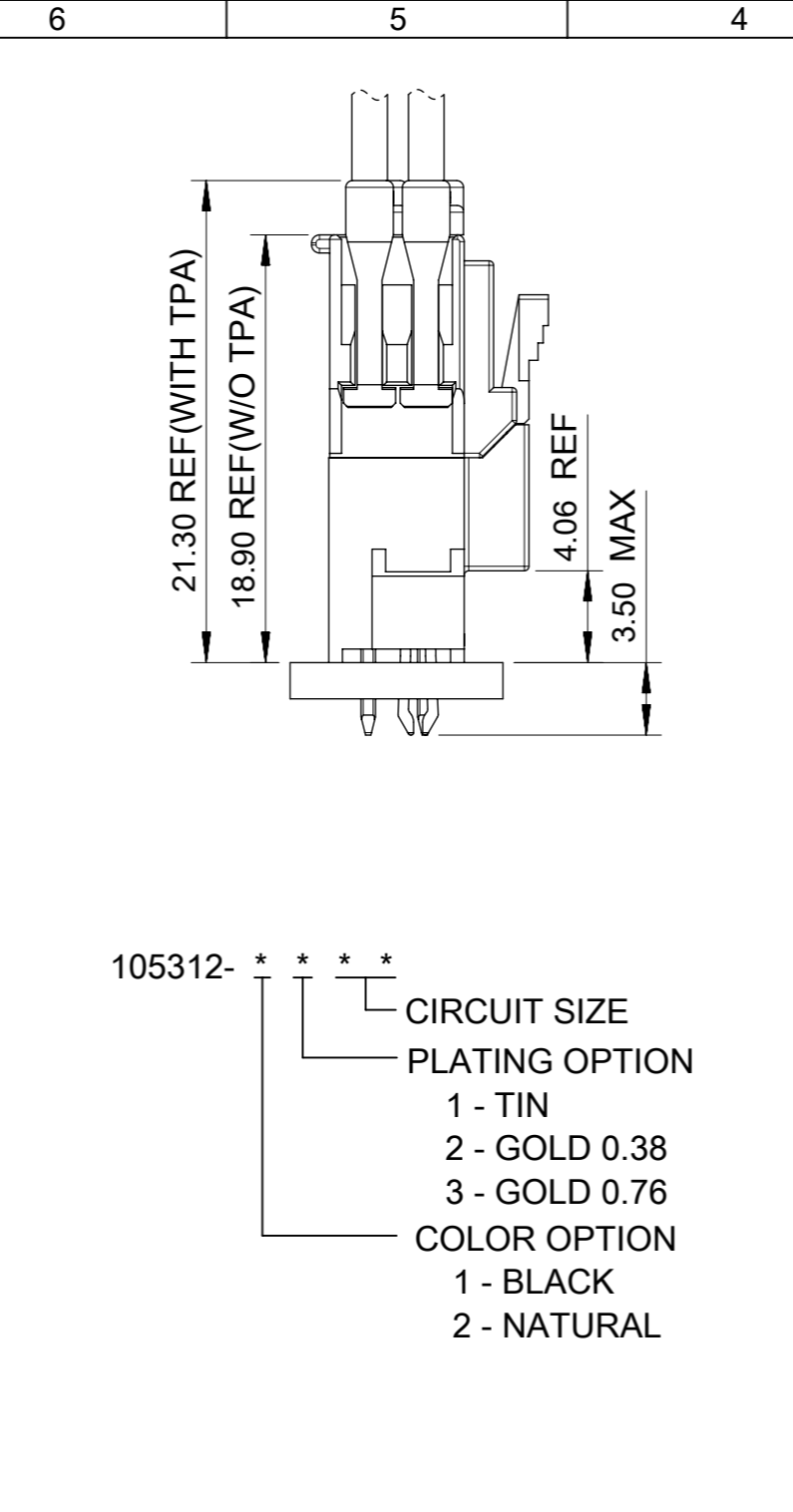


RECOMMENDED PCB(CONNECTOR SIDE VIEW)  
THICKNESS=1.6 TO 2.4 MM



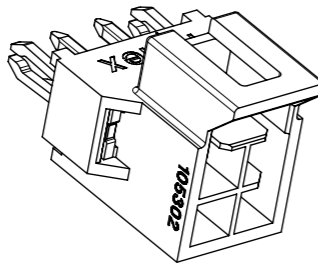
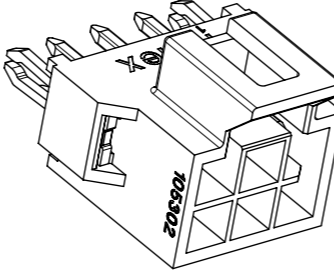
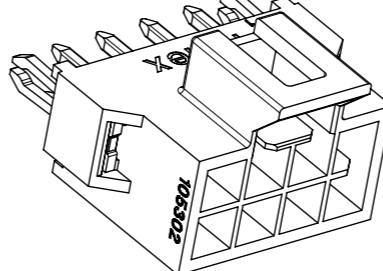
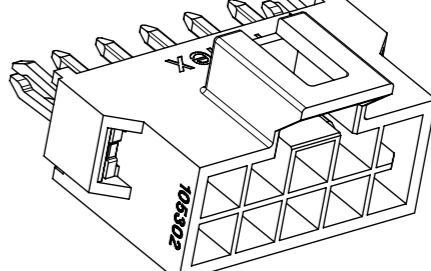
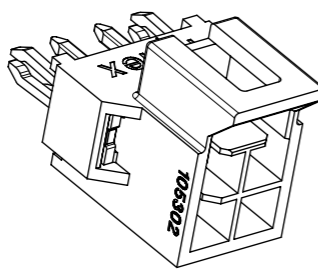
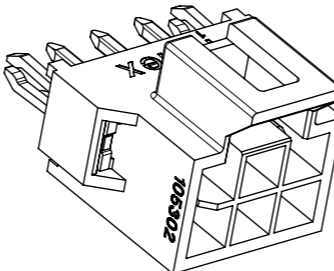
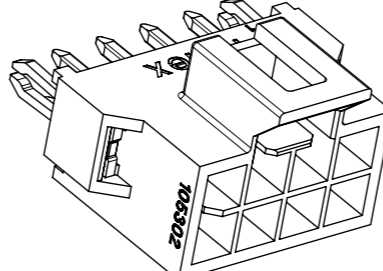
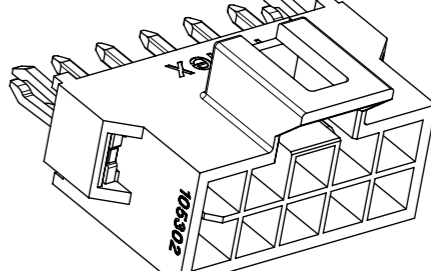
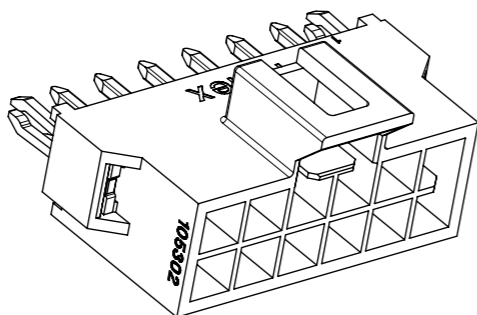
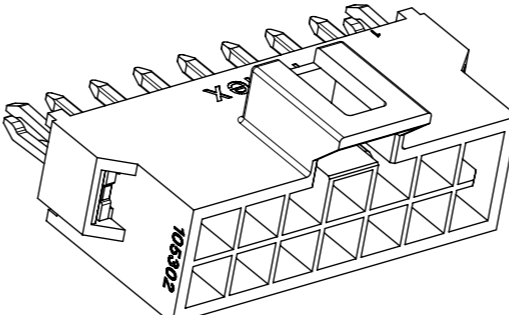
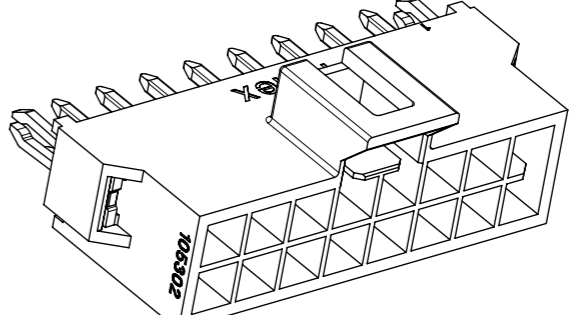
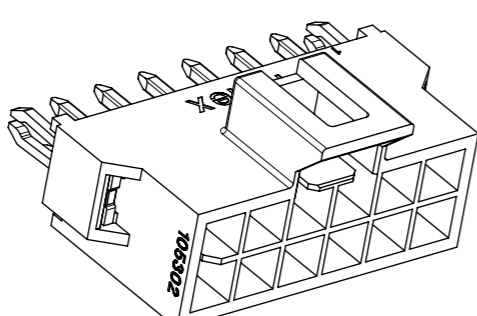
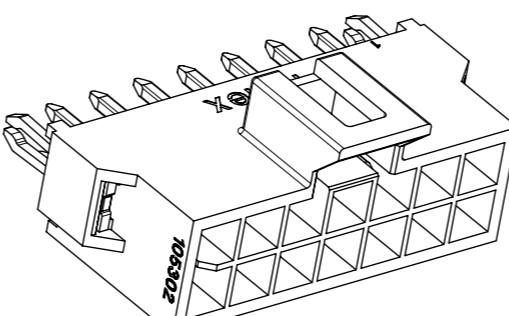
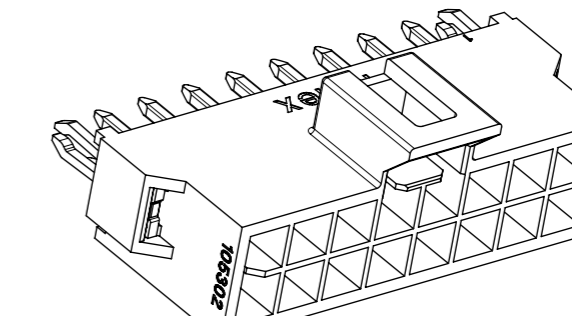
THIS DRAWING CONTAINS INFORMATION THAT IS PROPRIETARY TO MOLEX ELECTRONIC TECHNOLOGIES, LLC AND SHOULD NOT BE USED WITHOUT WRITTEN PERMISSION												
<b>QUALITY SYMBOLS</b> 	2018/03/29	2018/04/23	GENERAL TOLERANCES (UNLESS SPECIFIED)		DIMENSION UNITS	SCALE						
	DRWN: GLLI	CHK'D: AYIN	ANGULAR TOL ± 3.0 °		mm	5:1						
	EC NO: 174537 DRWN: GLLI CHK'D: AYIN REV APPR: AYIN	4 PLACES	±	4 PLACES ±		DRWN BY	DATE	HEADER OF NANO-FIT, D/R, CLIP, VERTICAL POWER CONNECTOR				
		3 PLACES	± 0.1	3 PLACES ± 0.1		GLLI	2014/07/16					
		2 PLACES	± 0.2	2 PLACES ± 0.2		CHK'D BY	DATE	PRODUCT CUSTOMER DRAWING				
		1 PLACE	± 0.3	1 PLACE ± 0.3		APPR BY	DATE					
		0 PLACES	±	0 PLACES ±		AYIN	2015/04/08	SERIES	MATERIAL NUMBER	CUSTOMER		
	DRAFT WHERE APPLICABLE MUST REMAIN WITHIN DIMENSIONS		DRAFT WHERE APPLICABLE MUST REMAIN WITHIN DIMENSIONS		DRAWING SIZE	THIRD ANGLE PROJECTION	105312	SEE SHEET 2	GENERAL MARKET			
	D		REV	DRAFT WHERE APPLICABLE MUST REMAIN WITHIN DIMENSIONS		A3			DOCUMENT NUMBER	DOC TYPE	DOC PART	SHEET NUMBER
								SD-105312-100	PSD	000	1 OF 4	








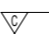

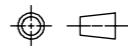
PART NUMBER	DIM 'A'	DIM 'B'	DIM 'C'	CKT SIZE	PLATING	LUBE
105312-1104	8.66	5.94	6.84	4	TIN C	
105312-1106	11.16	8.44	9.34	6		
105312-1108	13.66	10.94	11.84	8		
105312-1110	16.16	13.44	14.34	10		
105312-1112	18.66	15.94	16.84	12		
105312-1114	21.16	18.44	19.34	14		
105312-1116	23.66	20.94	21.84	16		
105312-1204	8.66	5.94	6.84	4		
105312-1206	11.16	8.44	9.34	6		
105312-1208	13.66	10.94	11.84	8		
105312-1210	16.16	13.44	14.34	10		
105312-1212	18.66	15.94	16.84	12		
105312-1214	21.16	18.44	19.34	14		
105312-1216	23.66	20.94	21.84	16		
105312-1304	8.66	5.94	6.84	4	GOLD 0.76	
105312-1306	11.16	8.44	9.34	6		
105312-1308	13.66	10.94	11.84	8		
105312-1310	16.16	13.44	14.34	10		
105312-1312	18.66	15.94	16.84	12		
105312-1314	21.16	18.44	19.34	14		
105312-1316	23.66	20.94	21.84	16		
105312-1404	8.66	5.94	6.84	4		
105312-1406	11.16	8.44	9.34	6		
105312-1408	13.66	10.94	11.84	8		
105312-1410	16.16	13.44	14.34	10		
105312-1412	18.66	15.94	16.84	12		
105312-1414	21.16	18.44	19.34	14		
105312-1416	23.66	20.94	21.84	16		
D COLOR: BLACK						



PART NUMBER	DIM 'A'	DIM 'B'	DIM 'C'	CKT SIZE	PLATING	LUBE
105312-2104	8.66	5.94	6.84	4	TIN C	
105312-2106	11.16	8.44	9.34	6		
105312-2108	13.66	10.94	11.84	8		
105312-2110	16.16	13.44	14.34	10		
105312-2112	18.66	15.94	16.84	12		
105312-2114	21.16	18.44	19.34	14		
105312-2116	23.66	20.94	21.84	16		
105312-2204	8.66	5.94	6.84	4		
105312-2206	11.16	8.44	9.34	6		
105312-2208	13.66	10.94	11.84	8		
105312-2210	16.16	13.44	14.34	10		
105312-2212	18.66	15.94	16.84	12		
105312-2214	21.16	18.44	19.34	14		
105312-2216	23.66	20.94	21.84	16		
105312-2304	8.66	5.94	6.84	4	GOLD 0.76	
105312-2306	11.16	8.44	9.34	6		
105312-2308	13.66	10.94	11.84	8		
105312-2310	16.16	13.44	14.34	10		
105312-2312	18.66	15.94	16.84	12		
105312-2314	21.16	18.44	19.34	14		
105312-2316	23.66	20.94	21.84	16		
105312-2404	8.66	5.94	6.84	4		
105312-2406	11.16	8.44	9.34	6		
105312-2408	13.66	10.94	11.84	8		
105312-2410	16.16	13.44	14.34	10		
105312-2412	18.66	15.94	16.84	12		
105312-2414	21.16	18.44	19.34	14		
105312-2416	23.66	20.94	21.84	16		
D COLOR: NATURAL						

QUALITY SYMBOLS		THIS DRAWING CONTAINS INFORMATION THAT IS PROPRIETARY TO MOLEX ELECTRONIC TECHNOLOGIES, LLC AND SHOULD NOT BE USED WITHOUT WRITTEN PERMISSION														
F <sub>A</sub> = 0	F <sub>E</sub> = 0	F <sub>B</sub> = 0	▼ = 0	C = 0	⊗ = 0	■ = 0	▽ = 0	2018/03/29	2018/04/23	2018/04/23	GENERAL TOLERANCES (UNLESS SPECIFIED)	DIMENSION UNITS	SCALE	<b>molex</b> <sup>®</sup>		
DRWN BY	DATE		ANGULAR TOL ± 3.0 °		mm	3:1	GLLI			2014/07/16	HEADER OF NANO-FIT, D/R, CLIP, VERTICAL POWER CONNECTOR					
4 PLACES ±	3 PLACES ± 0.1	2 PLACES ± 0.2	1 PLACE ± 0.3	0 PLACES ±	CHK'D BY	DATE		AYIN						2015/04/08	PRODUCT CUSTOMER DRAWING	
DRAFT WHERE APPLICABLE MUST REMAIN WITHIN DIMENSIONS		DRAWING SIZE	THIRD ANGLE PROJECTION		A3			SERIES			MATERIAL NUMBER	CUSTOMER				
								105312			SEE CHART		GENERAL MARKET			
								DOCUMENT NUMBER			DOC TYPE	DOC PART	SHEET NUMBER			
								SD-105312-100			PSD	000	2 OF 4			
RELEASE STATUS	P1	RELEASE DATE	2018/04/23 06:47:58													

		4 CKT	6 CKT	8 CKT	10 CKT
BLACK					
NATURAL					
		12 CKT	14 CKT	16 CKT	
BLACK					
NATURAL					

THIS DRAWING CONTAINS INFORMATION THAT IS PROPRIETARY TO MOLEX ELECTRONIC TECHNOLOGIES, LLC AND SHOULD NOT BE USED WITHOUT WRITTEN PERMISSION												
<b>QUALITY SYMBOLS</b>  = 0  = 0  = 0  = 0  = 0  = 0  = 0  = 0		2018/03/29 2018/04/23 2018/04/23		<b>GENERAL TOLERANCES (UNLESS SPECIFIED)</b> ANGULAR TOL ± 3.0 ° 4 PLACES ± 3 PLACES ± 0.1 2 PLACES ± 0.2 1 PLACE ± 0.3 0 PLACES ±		DIMENSION UNITS <b>mm</b>		SCALE <b>3:1</b>		 <b>HEADER OF NANO-FIT, D/R, CLIP, VERTICAL POWER CONNECTOR</b>		
EC NO: 174537 DRWN: GLLI CHK'D: AYIN REV APPR: AYIN		DRAFT WHERE APPLICABLE MUST REMAIN WITHIN DIMENSIONS		DRWN BY <b>GLLI</b>		DATE <b>2014/07/16</b>		<b>PRODUCT CUSTOMER DRAWING</b>				
				CHK'D BY <b>AYIN</b>		DATE <b>2015/04/08</b>				SERIES <b>105312</b>	MATERIAL NUMBER <b>SEE SHEET 2</b>	
				DRAWING SIZE <b>A3</b>		THIRD ANGLE PROJECTION 		DOCUMENT NUMBER <b>SD-105312-100</b>		DOC TYPE <b>PSD</b>	DOC PART <b>000</b>	SHEET NUMBER <b>3 OF 4</b>

NOTES FOR ALL PARTS

1> MATERIAL:  
HOUSING: LCP; TERMINAL: BRASS; SOLDER CLIP: BRASS.

2> PLATING FINISHED:  
TERMINAL:  
CONTACT AREA: a. TIN 1.5MICRONS MIN; b. GOLD 0.38 MICRONS MIN;  
c. GOLD 0.76 MICRONS MIN.  
SOLDER AREA: TIN 1.5 MICRONS MIN, UNDER PLATING NICKEL 1.25 MICRONS MIN.  
SOLDER CLIP: TIN 2.5 MICRONS MIN, UNDER PLATING NICKEL 1.25 MICRONS MIN.

3> PRODUCT SPECIFICATION: PS-105300-100.

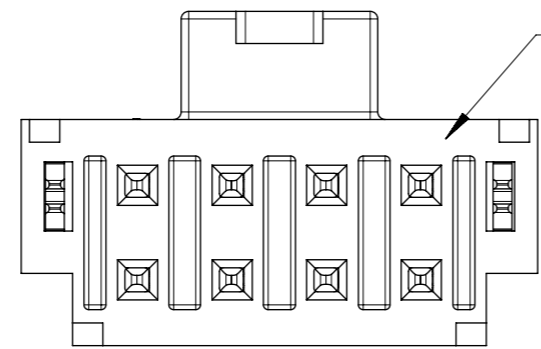
4> PACKAGE: TRAY, PK-105309-100.

5> ALL COMPONENTS AND PRODUCT COMPLIANT TO RoHS DIRECTIVE 2011/65/EU AND ELV DIRECTIVE 2000/53/EC.

6> PRODUCT MATE WITH SERIES OF 105308(RECEPTACLE), 105300(CRIMP TERMINAL).

7> PARTS CONFORM TO CLASS 'B'REQUIREMENTS OF COSMETIC SPECIFICATION PS-45499-002.

8> DISCOLORATION IN THE BANDOLIER PIN CARRIER AREA OF THE PIN IS INHERENT TO THE PLATING PROCESS AND IS DUE TO THE MASKING DEFECT OF THE CARRIER, THIS DISCOLORATION IS IN A NON-FUNCTION AREA OF THE PIN AND WILL NOT AFFECT THE PERFORMANCE OF THE HEADER ASSEMBLY.



IF ANY NUMBER MARK APPEARS ON THIS SURFACE, PLEASE DISREGARD IT, IT IS NO ANY FUCTION AND NO ANY RELATION TO PIN NUMBER, IT IS JUST FOR MOLDING IDENDIFICATION.



<b>QUALITY SYMBOLS</b> ▽A = 0 ▽E = 0 ▽P = 0 ▼ = 0 ▽C = 0 ⊠ = 0 ■ = 0 ▽ = 0	THIS DRAWING CONTAINS INFORMATION THAT IS PROPRIETARY TO MOLEX ELECTRONIC TECHNOLOGIES, LLC AND SHOULD NOT BE USED WITHOUT WRITTEN PERMISSION										
	2018/03/29 DRWN: GLLI 2018/04/23 CHK'D: AYIN 2018/04/23 APPR: AYIN	GENERAL TOLERANCES (UNLESS SPECIFIED)		DIMENSION UNITS	SCALE						
		ANGULAR TOL ± 3.0 °		mm							
		4 PLACES ±	DRWN BY		DATE	HEADER OF NANO-FIT, D/R, CLIP, VERTICAL POWER CONNECTOR					
		3 PLACES ± 0.1	GLLI		2015/05/29						
		2 PLACES ± 0.2	CHK'D BY		DATE	PRODUCT CUSTOMER DRAWING					
	1 PLACE ± 0.3	JALEXANDER		2016/04/27							
	0 PLACES ±	DRAFT WHERE APPLICABLE MUST REMAIN WITHIN DIMENSIONS		DRAWING SIZE	THIRD ANGLE PROJECTION	SERIES	MATERIAL NUMBER	CUSTOMER			
				A3		105312	SEE SHEET 2	GENERAL MARKET			
						DOCUMENT NUMBER		DOC TYPE	DOC PART	SHEET NUMBER	
					SD-105312-100		PSD	000	4 OF 4		