

PART NUMBER	REV	TERMINATOR	FEED TYPE	DESCRIPTION
1528644-1	A	LEADMAKER	MECH POST FEED	CUTS CARRIER
1528644-2	A	BENCH	MECH PRE FEED	CUTS CARRIER
1528644-6	A	LEADMAKER	MECH POST FEED	CONTINUOUS CARRIER
7-1528644-1	A	LEADMAKER	MECH POST FEED	-1 AND SPARE PARTS
7-1528644-2	A	BENCH	MECH PRE FEED	-2 AND SPARE PARTS
7-1528644-6	A	LEADMAKER	MECH POST FEED	-6 AND SPARE PARTS
7-1528644-7	A	-	-	SPARE PARTS KIT

WIRE	SIZE	TYPE	RANGE
WIRE	2.54 [1.00 IN]	F	1.50mm <sup>2</sup> -2.50mm <sup>2</sup>
INSUL	3.68 [1.45 IN]	OV	1.90-2.90 [1.075-1.14 IN]

WIRE STRIP LENGTH	APPL INSTRUCTIONS
5.00 [1.97 IN]	408-8322 & 408-8490

TERMINAL APPL SPEC	LEARN CRIMP DATA SHEETS	FEED
26657 & 26705		11.68 [4.60 IN]

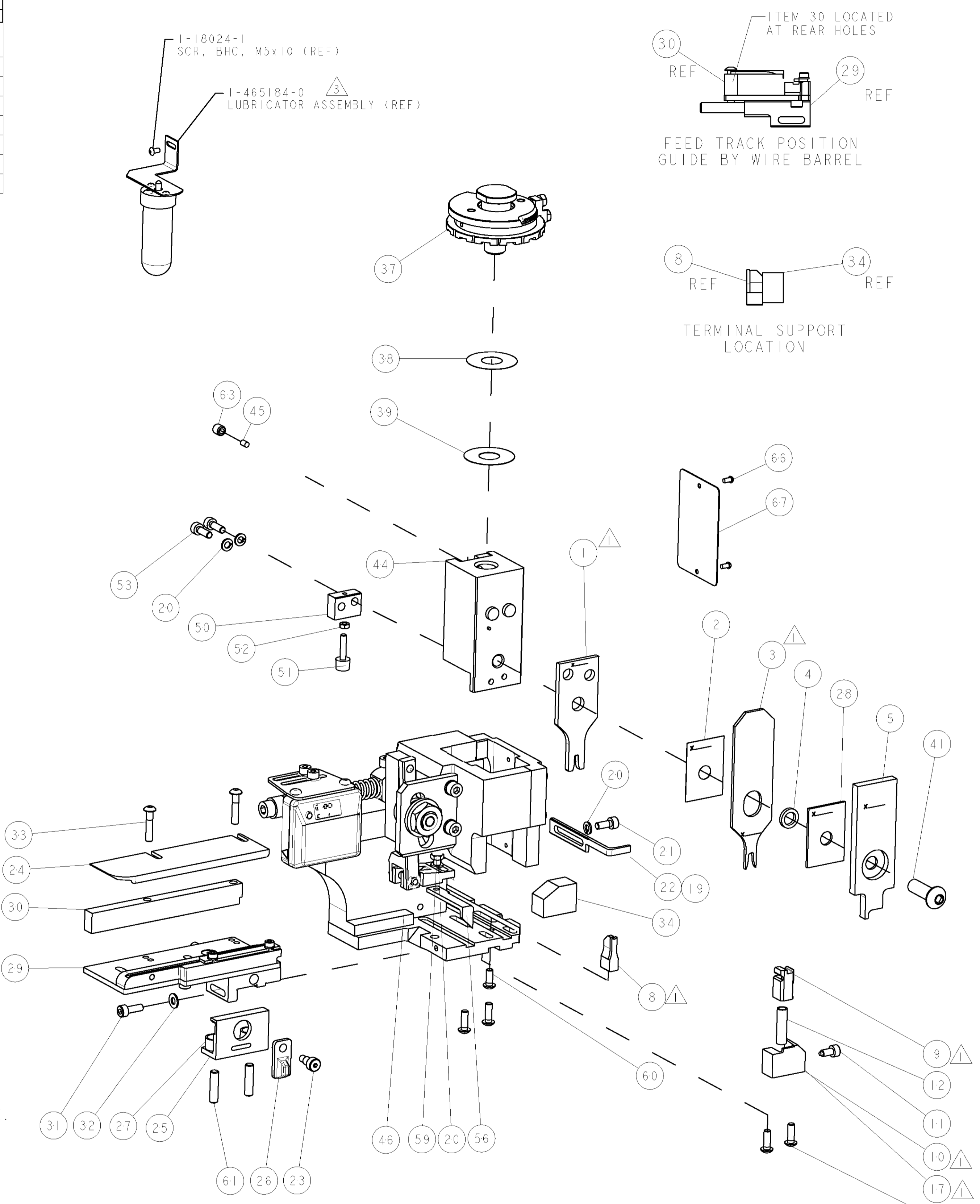
  

TYCO PN	MANUF'S PN	TYCO PN	MANUF'S PN
1949035-1	26705.201.185	1949034-1	26657.330.185
1949035-2	26705.201.702	1949034-2	26657.201.142
-	-	1949034-3	26657.201.702

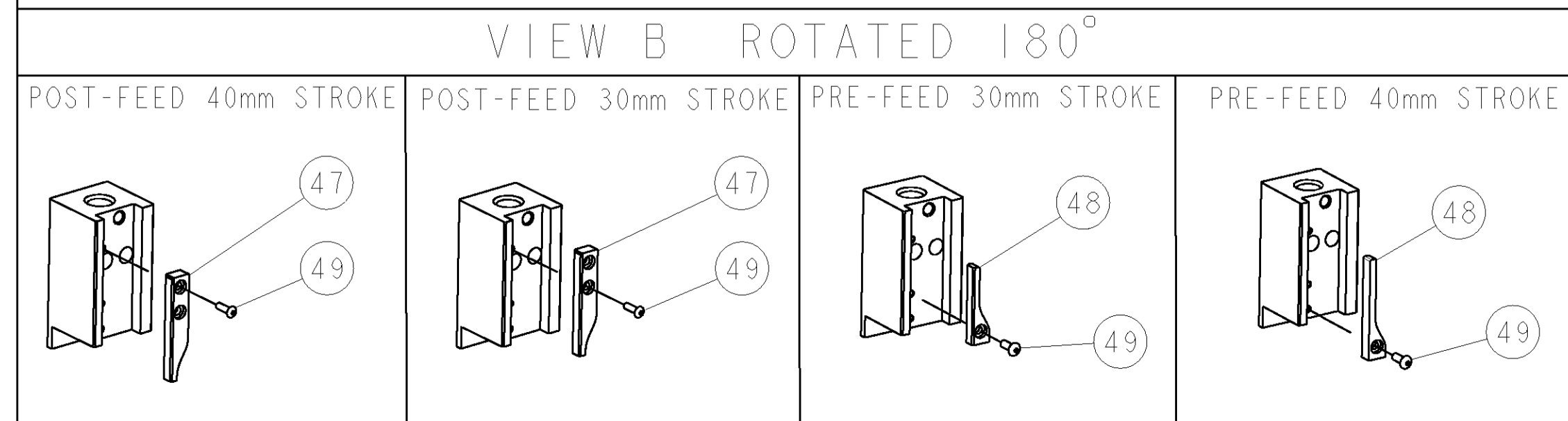
  

WIRE SIZE	CRIMP HEIGHT	REF SETTING
2.50mm <sup>2</sup>	1.70 ±0.05 [1.067 ±.002 IN]	C3
2.25mm <sup>2</sup>	1.60 ±0.05 [1.063 ±.002 IN]	D0
1.50mm <sup>2</sup>	1.45 ±0.05 [1.057 ±.002 IN]	E0

- △ RECOMMENDED SPARE PARTS.
- 2. GREASE RAM, CAM, CAM FOLLOWER AND FEED ROD LIGHTLY.
- △ CERTAIN TERMINALS REQUIRE LUBRICATION. REFER TO THE APPLICATOR INSTRUCTION SHEET FOR MORE INFORMATION.
- 4. LUBRICATE DAILY PER THE APPLICATOR INSTRUCTION SHEET SUPPLIED WITH THE APPLICATOR.
- △ TERMINAL APPLIES FLY TYPE INSULATION. FOR DOUBLE WIRE APPLICATIONS, INSULATION RANGE = 2X 2.20 [2X .087 IN] MAX.
- △ FOR SINGLE / DOUBLE WIRE COMBINATIONS.
- △ NOT FOR SINGLE WIRE.
- △ CRIMP DATA SUPPLIED BY TERMINAL MANUFACTURER.



\* WARNING  
ON INSTALLATION, SET WIRE DISC TO LARGEST WIRE SIZE SETTING. USE OF SETTINGS BELOW MIN. REQUIRED CRIMP HEIGHT SETTING WILL CAUSE DAMAGE TO CRIMP TOOLING.



-77	-76	-72	-71	-6	-2	-1	PART NO	DESCRIPTION	ITEM NO
-	-	-	-	-	-	-	-	-	84
-	-	-	-	-	-	-	-	-	83
-	-	-	-	-	-	-	-	-	82
-	-	-	-	-	-	-	-	-	81
-	-	-	-	-	-	-	-	-	80
-	-	-	-	-	-	-	-	-	79
-	-	-	-	-	-	-	-	-	78
-	-	-	-	-	-	-	-	-	77
-	-	-	-	-	-	-	-	-	76
-	-	-	-	-	-	-	-	-	75
-	-	-	-	-	-	-	-	-	74

SET UP GAGE 458637-3		LOC	DIST	REVISONS			
P	LTR	DESCRIPTION	DATE	BY	APPD		
A		SEE ECO-06-016516	11JUL2006	DP	MC		
A1		SEE ECR-07-005916	14MAR2007	DP	MC		

-	-	-	-	-	-	-	-	-	73
-	-	-	-	-	-	-	-	-	72
-	-	-	-	-	-	-	-	-	71
-	-	-	-	-	-	-	-	-	70
-	-	-	-	-	-	-	-	-	69
-	-	-	-	-	-	-	-	-	68
-	-	-	-	-	-	-	-	-	67
-	-	-	-	-	-	-	-	-	66
-	-	-	-	-	-	-	-	-	65
-	-	-	-	-	-	-	-	-	64
-	-	-	-	-	-	-	-	-	63
-	-	-	-	-	-	-	-	-	62
-	-	-	-	-	-	-	-	-	61
-	-	-	-	-	-	-	-	-	60
-	-	-	-	-	-	-	-	-	59
-	-	-	-	-	-	-	-	-	58
-	-	-	-	-	-	-	-	-	57
-	-	-	-	-	-	-	-	-	56
-	-	-	-	-	-	-	-	-	55
-	-	-	-	-	-	-	-	-	54
-	-	-	-	-	-	-	-	-	53
-	-	-	-	-	-	-	-	-	52
-	-	-	-	-	-	-	-	-	51
-	-	-	-	-	-	-	-	-	50
-	-	-	-	-	-	-	-	-	49
-	-	-	-	-	-	-	-	-	48
-	-	-	-	-	-	-	-	-	47
-	-	-	-	-	-	-	-	-	46
-	-	-	-	-	-	-	-	-	45
-	-	-	-	-	-	-	-	-	44
-	-	-	-	-	-	-	-	-	43
-	-	-	-	-	-	-	-	-	42
-	-	-	-	-	-	-	-	-	41
-	-	-	-	-	-	-	-	-	40
-	-	-	-	-	-	-	-	-	39
-	-	-	-	-	-	-	-	-	38
-	-	-	-	-	-	-	-	-	37
-	-	-	-	-	-	-	-	-	36
-	-	-	-	-	-	-	-	-	35
-	-	-	-	-	-	-	-	-	34
-	-	-	-	-	-	-	-	-	33
-	-	-	-	-	-	-	-	-	32
-	-	-	-	-	-	-	-	-	31
-	-	-	-	-	-	-	-	-	30
-	-	-	-	-	-	-	-	-	29
-	-	-	-	-	-	-	-	-	28
-	-	-	-	-	-	-	-	-	27
-	-	-	-	-	-	-	-	-	26
-	-	-	-	-	-	-	-	-	25
-	-	-	-	-	-	-	-	-	24
-	-	-	-	-	-	-	-	-	23
-	-	-	-	-	-	-	-	-	22
-	-	-	-	-	-	-	-	-	21
-	-	-	-	-	-	-	-	-	20
-	-	-	-	-	-	-	-	-	19
-	-	-	-	-	-	-	-	-	18
-	-	-	-	-	-	-	-	-	17
-	-	-	-	-	-	-	-	-	16
-	-	-	-	-	-	-	-	-	15
-	-	-	-	-	-	-	-	-	14
-	-	-	-	-	-	-	-	-	13
-	-	-	-	-	-	-	-	-	12
-	-	-	-	-	-	-	-	-	11
-	-	-	-	-	-	-	-	-	10
-	-	-	-	-	-	-	-	-	9
-	-	-	-	-	-	-	-	-	8
-	-	-	-	-	-	-	-	-	7
-	-	-	-	-	-	-	-	-	6
-	-	-	-	-	-	-	-	-	5
-	-	-	-	-	-	-	-	-	4
-	-	-	-	-	-	-	-	-	3
-	-	-	-	-	-	-	-	-	2
-	-	-	-	-	-	-	-	-	1

ITEM NO	PART NO	DESCRIPTION
77	-76	-72
76	-71	-6
75	-2	-1
74		
73		

DIMENSIONS:	TOLERANCES UNLESS OTHERWISE SPECIFIED:
mm [IN]	0 PLC ±
	1 PLC ±
	2 PLC ±
	3 PLC ±
	4 PLC ±
	ANGLES ±

MATERIAL	FINISH	WEIGHT	CUSTOMER DRAWING
-	-	-	-

TYCO	Electronic
Tyco Electronics Harrisburg, PA 17105-3608	
FINE ADJUST SIDE FEED HDI APPLICATOR	
SIZE	CAGE CODE
A1	00779
DRAWING NO	1528644
SCALE	3:5
SHEET	1 OF 1
REV	A1