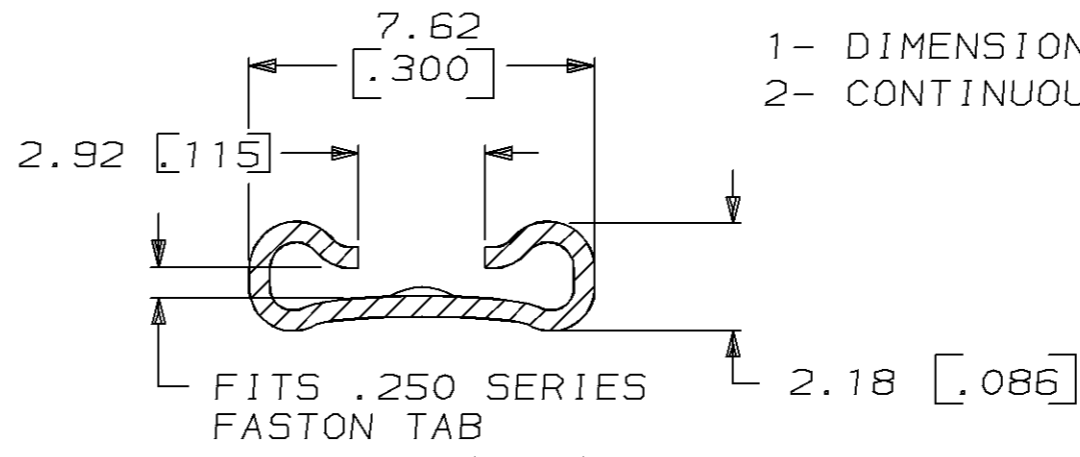
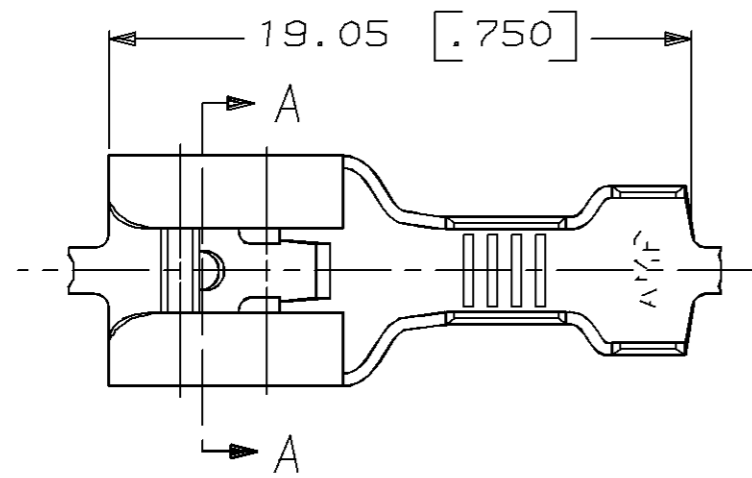
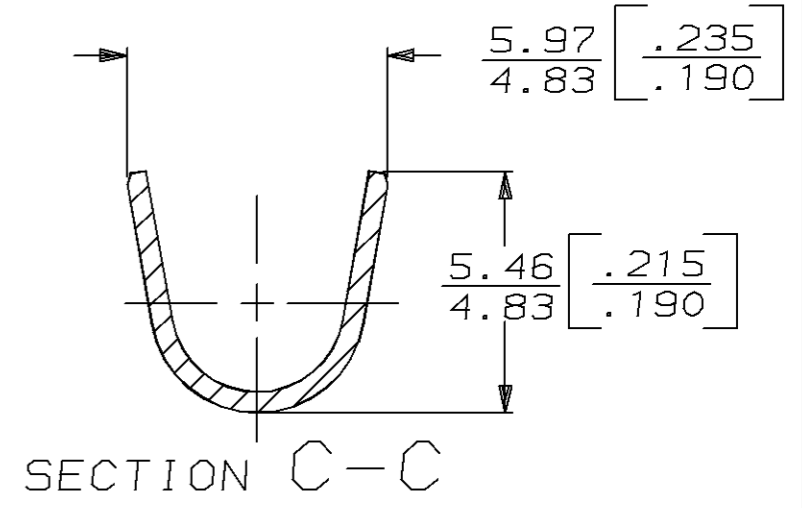
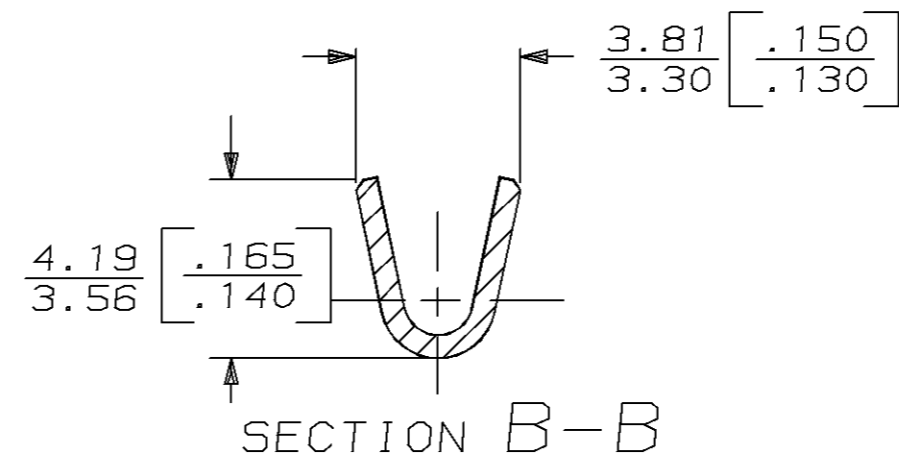
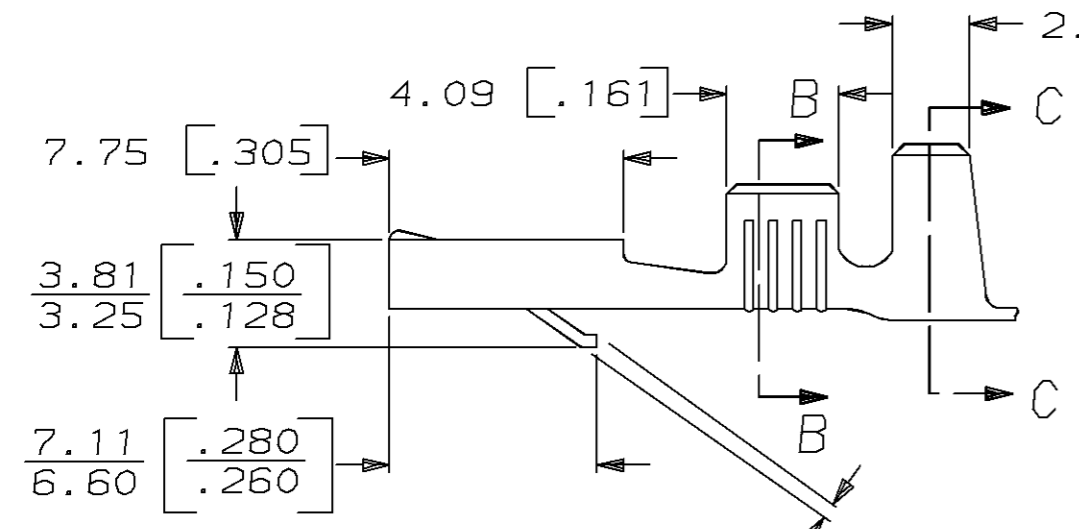


THIS DRAWING IS UNPUBLISHED. RELEASED FOR PUBLICATION, 19
 © COPYRIGHT 19 BY AMP INCORPORATED, HARRISBURG, PA. ALL INTERNATIONAL RIGHTS RESERVED. AMP PRODUCTS MAY BE COVERED BY U.S. AND FOREIGN PATENTS AND/OR PATENTS PENDING.

LOC	DIST	P	F	REVISIONS				
AF	50			ZONE	LTR	DESCRIPTION	DATE	APPROVED
					M	OBSOLETE -2 PER 0710-0263-96	9/19/96	JR



1- DIMENSIONS IN BRACKETS ARE IN INCHES.
 2- CONTINUOUS STRIP ON REELS.



0.64 [.025] MAX ALLOWED IN DIRECTION OF CONTACT ONLY.

METRIC

FINISH	TIN	2.29-4.45 [.090-.175] OR (2) 2.50 [.100]	0.8-2.0mm ² [18-14] OR (2) 0.8mm ² [#18]	0.81 ±.025 [.032 ±.001]	62530-2
		2.29-4.45 [.090-.175] OR (2) 2.50 [.100]	0.8-2.0mm ² [18-14] OR (2) 0.8mm ² [#18]	0.81 ±.025 [.032 ±.001]	62530-1
FINISH	INSULATION RANGE		WIRE SIZE	TAB THK.	PART NO

0	4.57 [.180]	5.59 [.220]	F	2.79 [.110]	1.85 [.073] 1.63 [.064] 1.47 [.058]	2.0mm ² [14] 1.3mm ² [16] 0.8mm ² [18]
TYPE	WIDTH	STRIP LENGTH ±.015	TYPE	WIDTH	±.051 [±.002] HEIGHT	WIRE
INSUL BARREL CRIMP			WIRE BARREL CRIMP			

UNLESS OTHERWISE SPECIFIED DIMENSIONS ARE IN INCHES TOLERANCES ON:	DR 2/3/86 JR RUTH
2 PL DEC ±	CHK 2/3/86 MS FEHER
3 PL DEC ± 0.38 [.015]	APPD 2/3/86 C MEYERS
ANGLES ±	APPD 2/3/86 R KUZO
MATERIAL	PRODUCT SPEC
0.41 [.016] BRASS	
FINISH	APPLICATION SPEC
SEE TABLE	
WEIGHT	

AMP INCORPORATED Harrisburg, Pa. 17105		
NAME .250 SERIES FASTIN-FASTON RECEPTACLE		
SIZE B	FSCM NO 00779	DRAWING NO 62530
SCALE NTS	SHEET 1 OF 1	