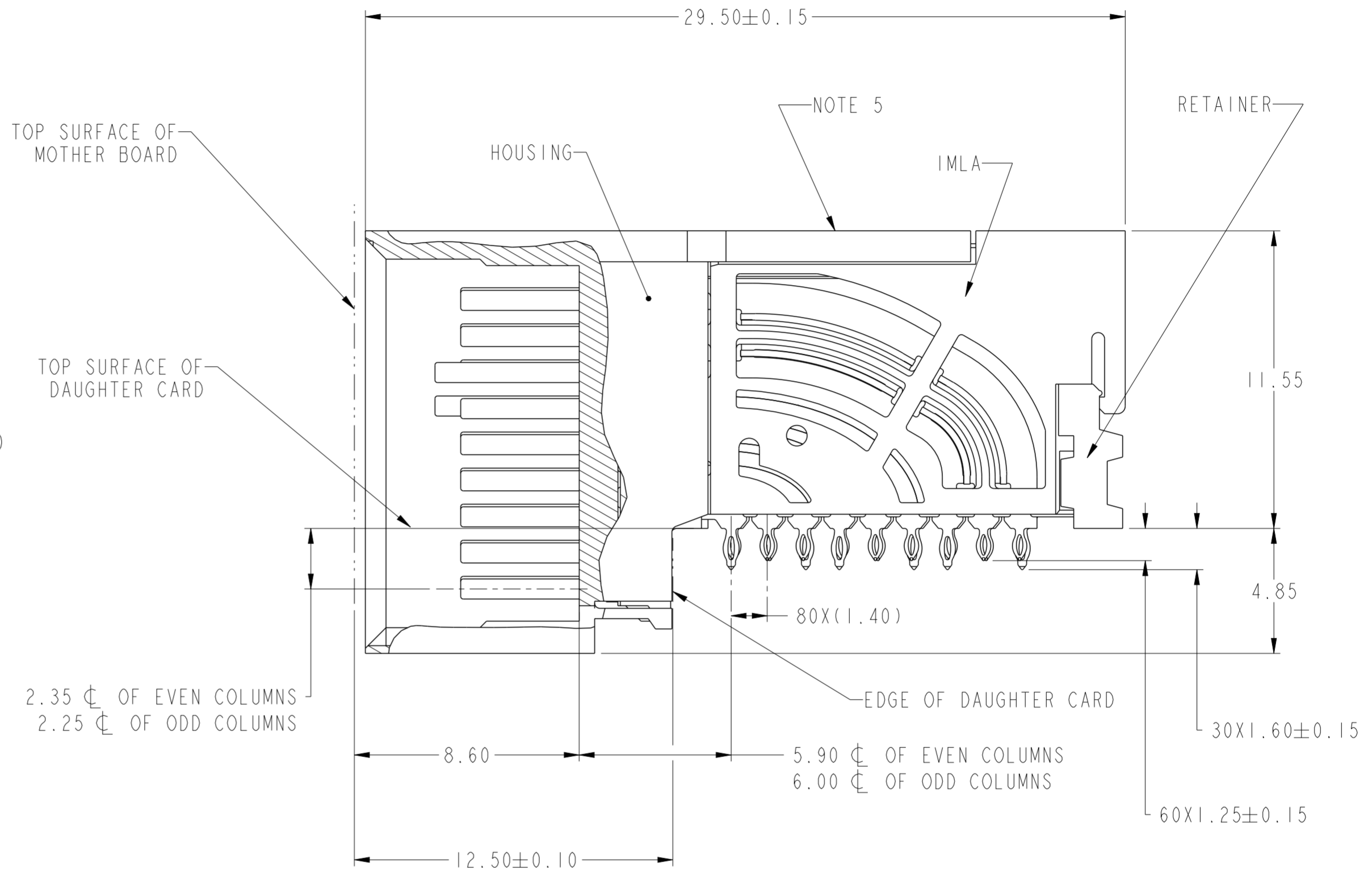
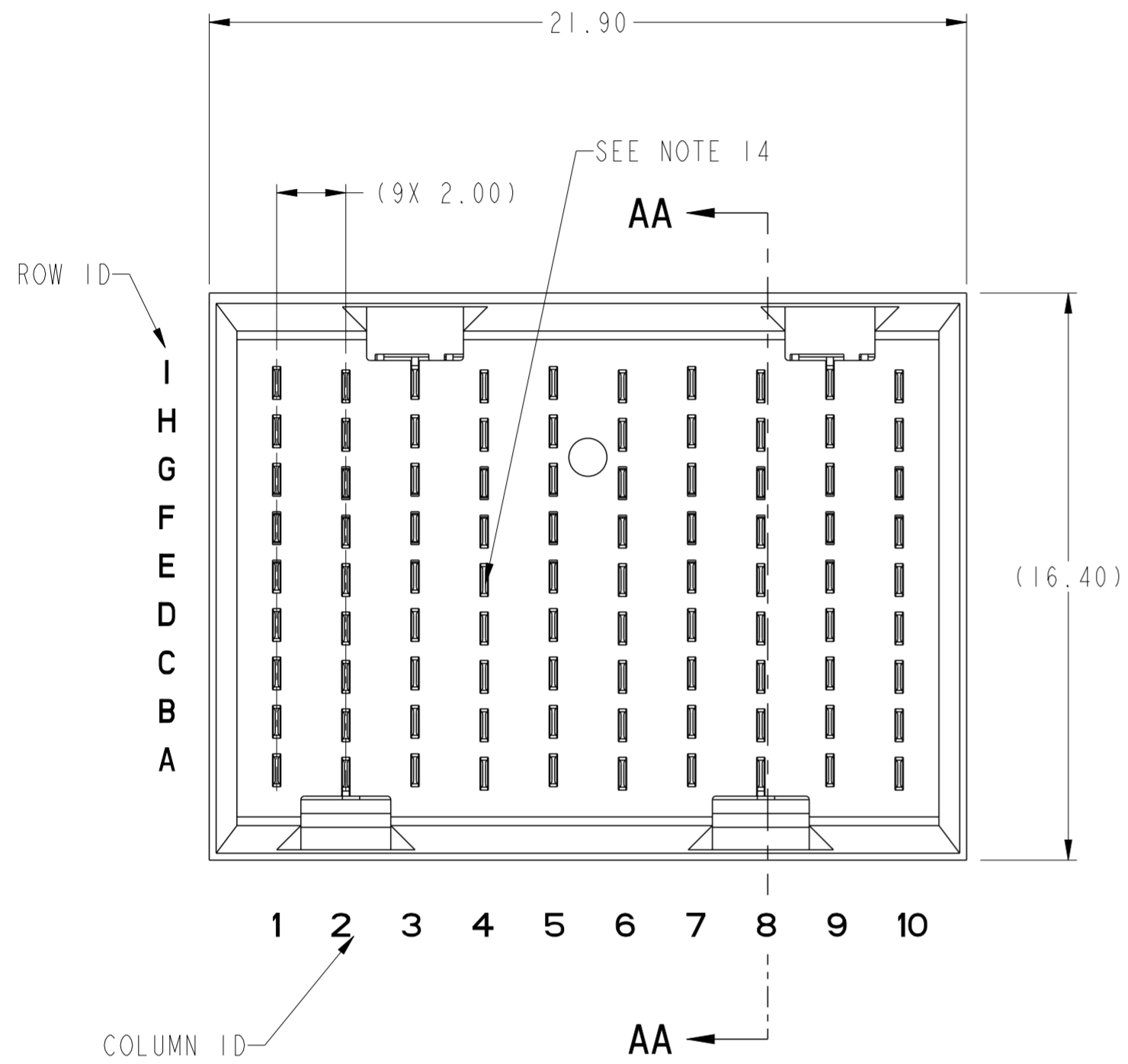


PRODUCT NUMBER
SEE SHEET 3



SECTION AA-AA

2.35 CL OF EVEN COLUMNS
2.25 CL OF ODD COLUMNS

Amphenol
FCi

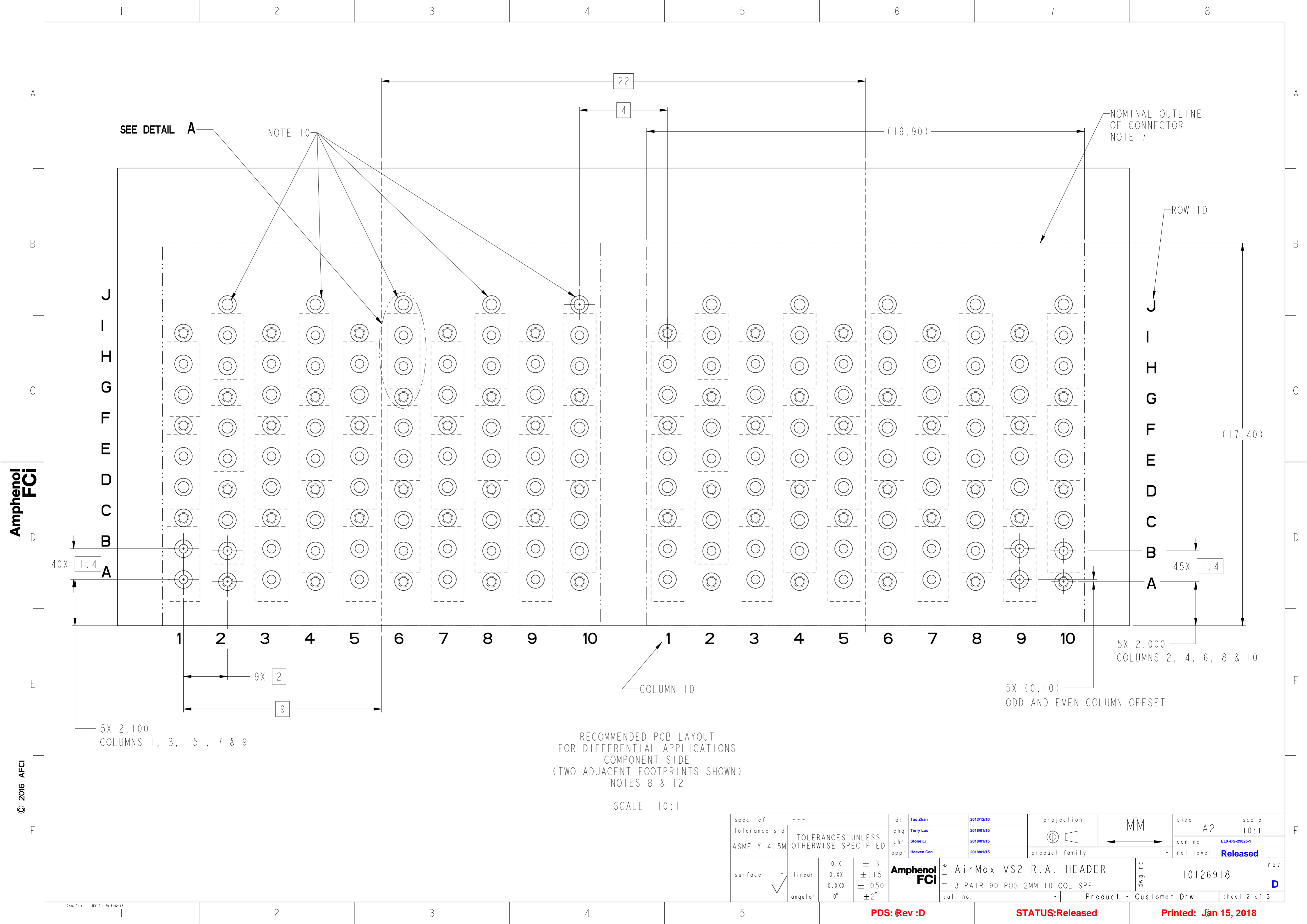
© 2016 APCI

spec ref	---	dr	Tao Zhan	2013/12/10	projection	MM	size	A2	scale	6:1												
tolerance std	ASME Y14.5M	eng	Terry Luo	2018/01/15			ecn no	ELX-DG-29025-1	rel level	Released												
TOLERANCES UNLESS OTHERWISE SPECIFIED		chr	Stone Li	2018/01/15			product family	AirMax VSE		rel level	Released											
surface	<table border="1"> <tr> <td>linear</td> <td>0.X</td> <td>±.3</td> </tr> <tr> <td></td> <td>0.XX</td> <td>±.15</td> </tr> <tr> <td></td> <td>0.XXX</td> <td>±.050</td> </tr> <tr> <td>angular</td> <td>0°</td> <td>±2°</td> </tr> </table>	linear	0.X	±.3				0.XX		±.15		0.XXX	±.050	angular	0°	±2°	appr	Heaven Cen	2018/01/15	title	AirMax VS2 R.A. HEADER	dwg no
linear	0.X	±.3																				
	0.XX	±.15																				
	0.XXX	±.050																				
angular	0°	±2°																				
		Amphenol FCi		3 PAIR 90 POS 2MM 10 COL SPF		cat. no.	-	Product - Customer Drw	sheet 1 of 3													

PDS: Rev :D

STATUS:Released

Printed: Jan 15, 2018



SEE DETAIL A

NOTE 10

NOMINAL OUTLINE OF CONNECTOR
NOTE 7

ROW ID

COLUMN ID

RECOMMENDED PCB LAYOUT
FOR DIFFERENTIAL APPLICATIONS
COMPONENT SIDE
(TWO ADJACENT FOOTPRINTS SHOWN)
NOTES 8 & 12

SCALE 10:1

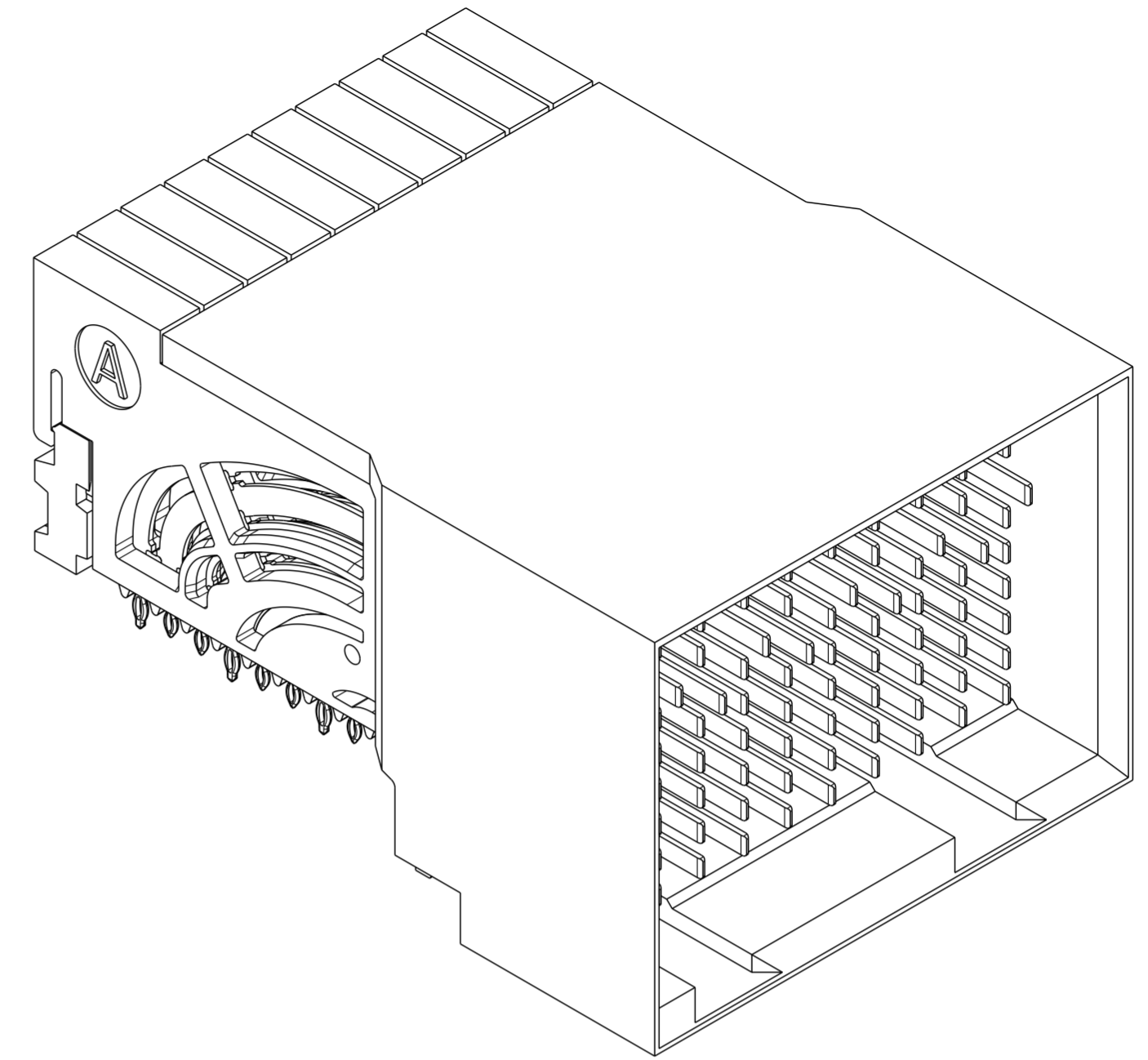
spec ref	---	dr	Tao Zhan	2013/12/10	projection	MM	size	A2	scale	10:1												
tolerance std	ASME Y14.5M	eng	Terry Luo	2018/01/15			ecn no	ELX-DG-29025-1														
TOLERANCES UNLESS OTHERWISE SPECIFIED		chr	Stone Li	2018/01/15			rel level	Released														
		appr	Heaven Cen	2018/01/15			Product - Customer Drw															
surface	<table border="1"> <tr> <td rowspan="3"> </td> <td>linear</td> <td>0.X</td> <td>±.3</td> </tr> <tr> <td></td> <td>0.XX</td> <td>±.15</td> </tr> <tr> <td></td> <td>0.XXX</td> <td>±.050</td> </tr> <tr> <td></td> <td>angular</td> <td>0°</td> <td>±2°</td> </tr> </table>		linear	0.X	±.3		0.XX	±.15		0.XXX	±.050		angular	0°	±2°		Amphenol FCI title AirMax VS2 R.A. HEADER 3 PAIR 90 POS 2MM 10 COL SPF		cat. no. - Product - Customer Drw	rev no 10126918	rev D	sheet 2 of 3
	linear		0.X	±.3																		
			0.XX	±.15																		
		0.XXX	±.050																			
	angular	0°	±2°																			

Amphenol FCI

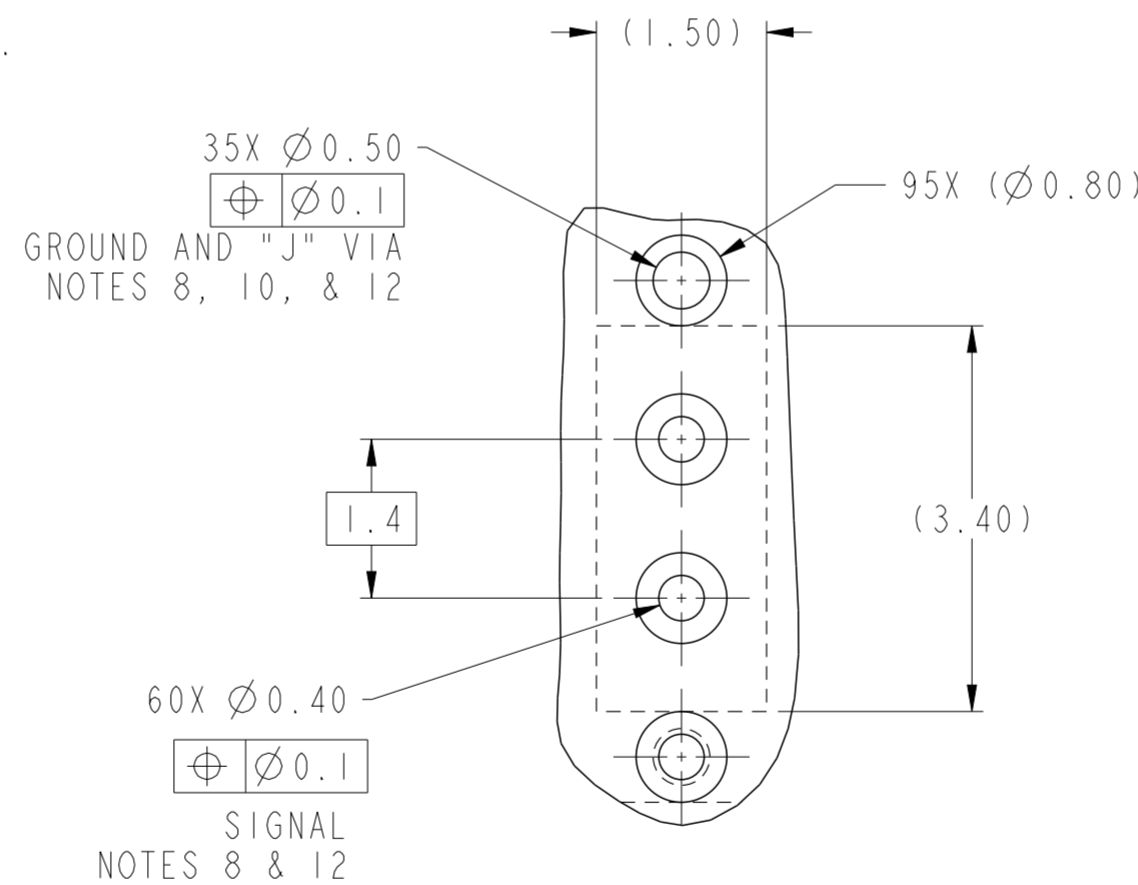
© 2016 APCI

PRODUCT NUMBER	PRESS-FIT TAIL PLATING TYPE	SHORT DETECT CONTACT	REMARK
10126918-101	TIN/LEAD ALLOY OVER NICKEL	NO	1-SIDE PLATING (CUSTOMER SPECIAL)
10126918-101LF	TIN OVER NICKEL (LEAD FREE)		
10126918-111	TIN/LEAD ALLOY OVER NICKEL	YES (SEE NOTE 14)	
10126918-111LF	TIN OVER NICKEL (LEAD FREE)		
10126918-102	TIN/LEAD ALLOY OVER NICKEL	NO	2-SIDE PLATING
10126918-102LF	TIN OVER NICKEL (LEAD FREE)		

- 1 - CONNECTOR MATERIALS:
HOUSING: HIGH TEMP THERMOPLASTIC, NATURAL, UL94-V0
IMLA PLASTIC: HIGH TEMP THERMOPLASTIC, BLACK, UL94-V0
CONTACT: COPPER ALLOY
ORGANIZER: HIGH TEMP THERMOPLASTIC, NATURAL, UL94-V0
- 2 - CONTACT PLATING:
SEPARABLE INTERFACE:
PERFORMANCE-BASED PLATING, QUALIFIED TO MEET THE REQUIREMENTS OF FCI PRODUCT SPECIFICATION GS-12-0956 INCLUDING TELCORDIA GR-1217-CORE (NOVEMBER 1995) CENTRAL OFFICE TEST SEQUENCE
PRESS-FIT TAILS: SEE TABLE
- 3 - PRODUCT SPECIFICATION: GS-12-0956
- 4 - APPLICATION SPECIFICATION: GS-20-0305
- 5 - PRODUCT MARKING, (PROTOTYPE, PART NUMBER & LOT CODE), ON THIS SURFACE.
- 6 - POSITIONS "F" OF ODD NUMBERED COLUMNS AND POSITIONS "G" OF EVEN NUMBERED COLUMNS CORRESPOND TO EARLY MATE HEADER PINS.
- 7 - CONNECTOR OUTLINE MAY BE SCREEN PRINTED ONTO CUSTOMER PCB TO BE USED AS A GUIDE FOR CONNECTOR PLACEMENT.
- 8 - REFER TO CUSTOMER DRAWING 10104444 FOR INFORMATION ON PCB HOLE DIAMETERS AND PLATING OPTIONS
- 9 - LEAD FREE PRODUCT MEETS THE EUROPEAN UNION DIRECTIVES & OTHER COUNTRY REGULATIONS AS DESCRIBED IN GS-22-008
- 10 - THESE OUTER VIAS (J) ARE OPTIONAL. WHILE NO CONNECTOR EONS ARE PRESSED INTO THESE HOLES WE RECCOMEND (Ø0.50) FINISHED HOLES AT THESE LOCATIONS TO PROVIDE GROUND SYMMETRY THROUGH THE PCB.
- 11 - PACKAGING MEETS GS-14-920 LEAD FREE LABELING SPECIFICATION.
- 12 - GROUND CONTACTS (C, F, & I IN ODD COLUMNS AND A, D, & G IN EVEN COLUMNS) REQUIRE (Ø0.50) FINISHED HOLES. SIGNAL LOCATIONS REQUIRE (Ø0.40) FINISHED HOLES
- 13 - A \triangle SYMBOL WILL BE NEXT TO ANY DIMENSIONS, VIEW OR NOTE, WHICH HAS BEEN MODIFIED WITH THE CURRENT DRAWING REVISION.
- 14 - MATING PIN E4 HAS 0.5mm LESS NOMINAL WIPE THAN THE SHORTEST PIN.



10126918-101 OR -101LF
10126918-102 OR -102LF



DETAIL A
SCALE 15:1

spec ref	---	dr	Tao Zhan	2013/12/10	projection	MM	size	A2	scale	10:1	
tolerance std	ASME Y14.5M	eng	Terry Luo	2018/01/15		← →	ecn no	ELX-DG-29025-1			
TOLERANCES UNLESS OTHERWISE SPECIFIED		chr	Stone Li	2018/01/15			rel level	Released			
surface	linear	appr	Heaven Cen	2018/01/15	product family	-	dwg no	10126918		rev	D
	angular	Amphenol FCI		title	AirMax VS2 R.A. HEADER		cat. no.		Product - Customer Drw		sheet 3 of 3