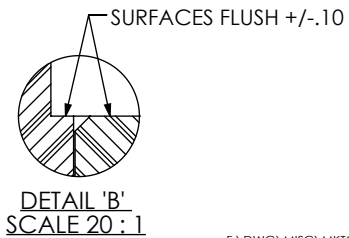
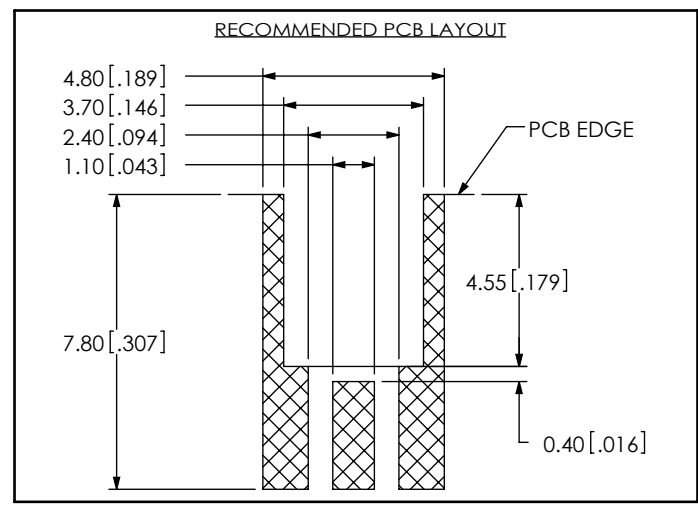
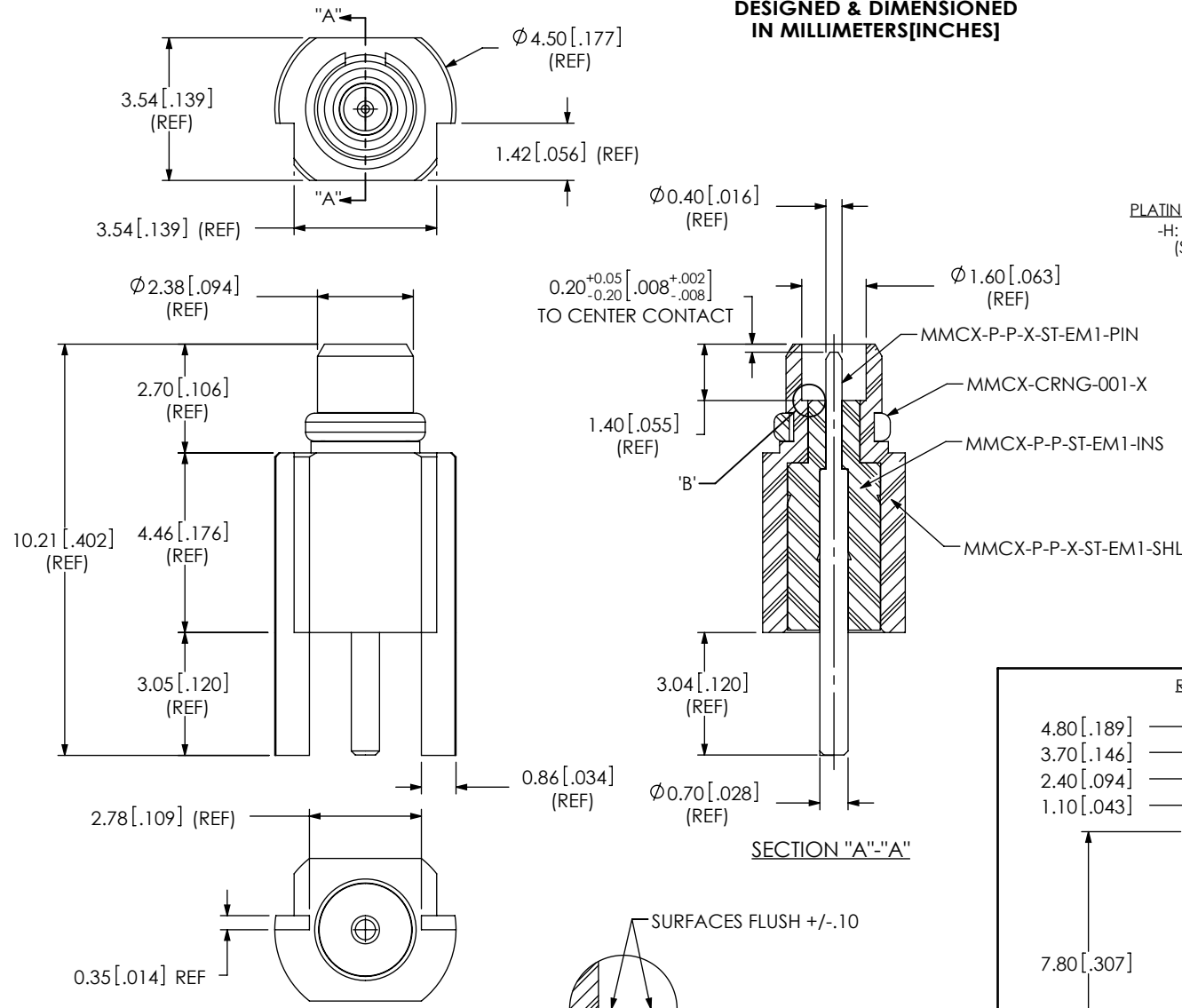
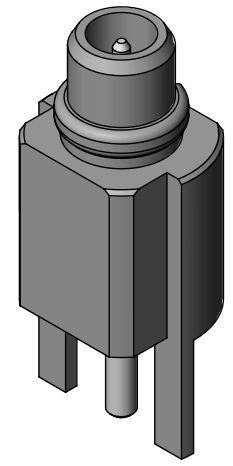


DO NOT SCALE FROM THIS PRINT

DESIGNED & DIMENSIONED IN MILLIMETERS [INCHES]

MMCX-P-P-X-ST-EM1
 GENDER -P: PLUG
 TYPE -P: PCB
 TERMINATION -EM1: EDGE MOUNT
 ORIENTATION -ST: STRAIGHT

PLATING SPECIFICATION
 -H: HEAVY GOLD (SEE TABLE 1)



- NOTES:
1. REPRESENTS A CRITICAL DIMENSION.
 2. PUSHOUT FORCE FOR INSULATOR: 22.24 N [5 LB] MIN.
 3. PUSHOUT FORCE FOR CENTER CONTACT: 11.12 N [2.5 LB] MIN.
 4. INSERTION AND WITHDRAWAL FORCES PER 2.2.2 OF EN 122340:2002.
 INSERTION = 18 N [4 LB] MAX.
 WITHDRAWAL = 6 N [1.3 LB] MIN. / 18 N [4 LB] MAX.
 5. PARTS TO BE PACKAGED IN TRAYS; IF QUANTITY IS LESS THAN HALF TRAY, PARTS TO BE PACKAGED IN COHESIVE FOAM.
 6. RoHS COMPLIANT.

TABLE 1: MATERIAL

SAMTEC PART NUMBER	ITEM	MATERIAL	PLATING - (REFERENCE)
MMCX-P-P-X-ST-EM1-SHL	SHELL	BRASS C3604B	0.00008[.000003] GOLD OVER .00127[.000050] NICKEL
MMCX-P-P-X-ST-EM1-INS	INSULATOR	PTFE TEFLON (WHITE)	N/A
MMCX-P-P-X-ST-EM1-PIN	PIN	BRASS C3602B	0.00076[.000030] GOLD OVER .00127[.000050] NICKEL
MMCX-CRNG-001	C-RING	BeCu C17300	0.00008[.000003] GOLD OVER .00127[.000050] NICKEL

F:\DWG\MISC\MKTG\MMCX-P-P-X-ST-EM1-MKT.SLDDRW

UNLESS OTHERWISE SPECIFIED, DIMENSIONS ARE IN MILLIMETERS [INCHES]. TOLERANCES ARE:
 DECIMALS ANGLES
 .X: ± 0.3 [.01] 2°
 .XX: ± 0.13 [.005]
 .XXX: ± 0.051 [.0020]

PROPRIETARY NOTE
 THIS DOCUMENT CONTAINS CONFIDENTIAL AND PROPRIETARY INFORMATION AND ALL DESIGN, MANUFACTURING, REPRODUCTION, USE, PATENT RIGHTS AND SALES RIGHTS ARE EXPRESSLY RESERVED BY SAMTEC, INC. THIS DOCUMENT SHALL NOT BE DISCLOSED, IN WHOLE OR PART, TO ANY UNAUTHORIZED PERSON OR ENTITY NOR REPRODUCED, TRANSFERRED OR INCORPORATED IN ANY OTHER PROJECT IN ANY MANNER WITHOUT THE EXPRESS WRITTEN CONSENT OF SAMTEC, INC.

MATERIAL: DO NOT SCALE DRAWING SHEET SCALE: 6:1
 SEE TABLE 1

samtec
 520 PARK EAST BLVD, NEW ALBANY, IN 47150
 PHONE: 812-944-6733 FAX: 812-948-5047
 e-Mail: info@SAMTEC.com code: 55322

DESCRIPTION:
 MMCX STRAIGHT, EDGE MOUNT PLUG- 50 OHM

DWG. NO.
MMCX-P-P-X-ST-EM1

BY: R MUSSER 12/03/2007 SHEET 1 OF 1