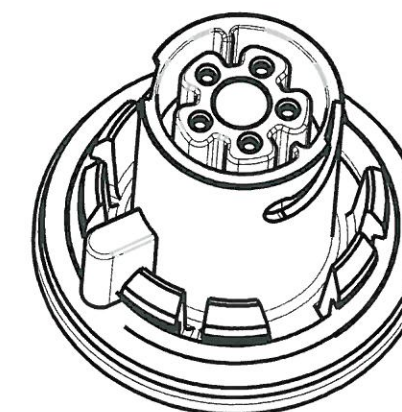
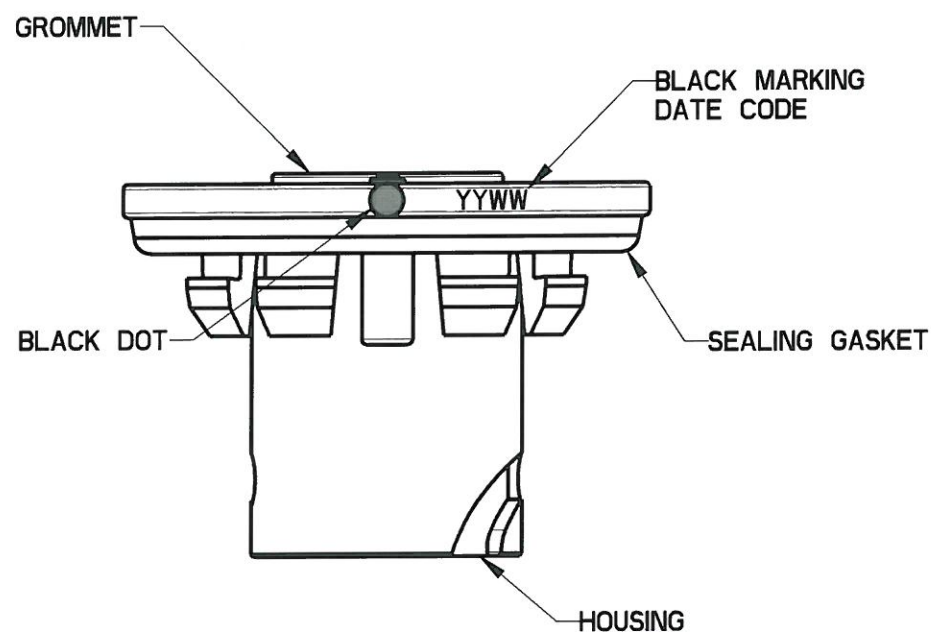
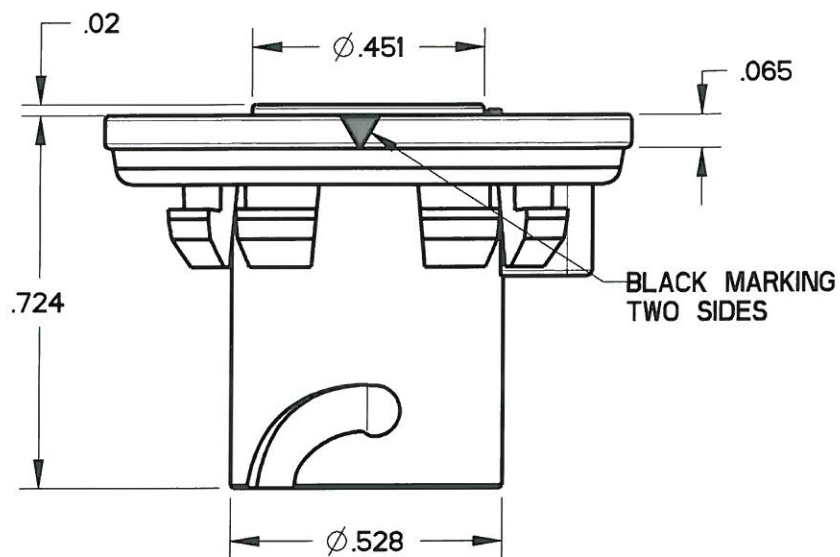
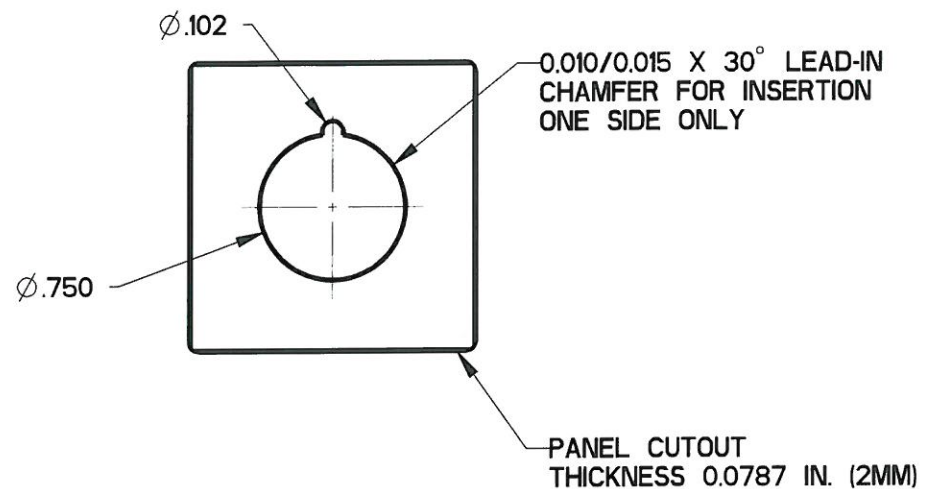
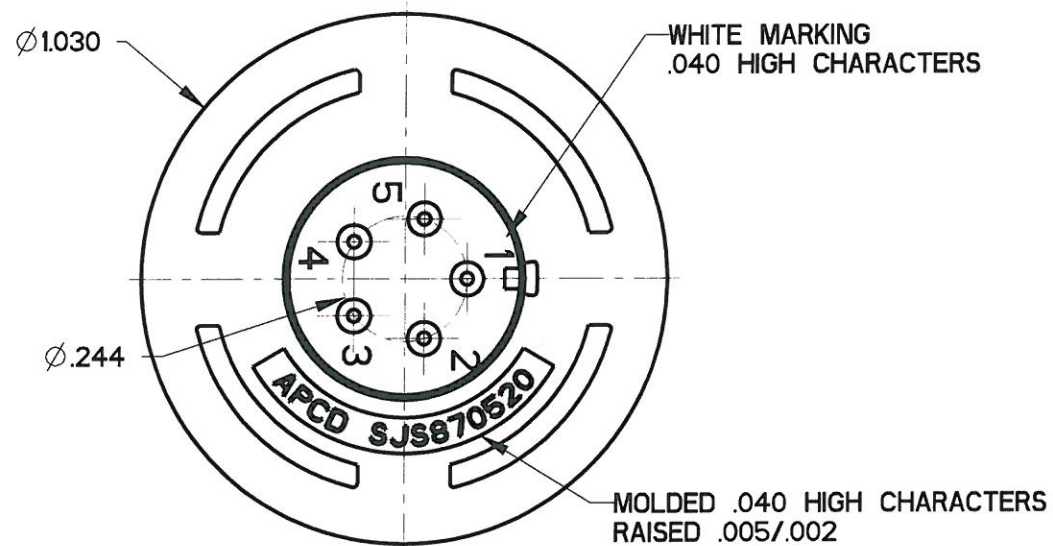
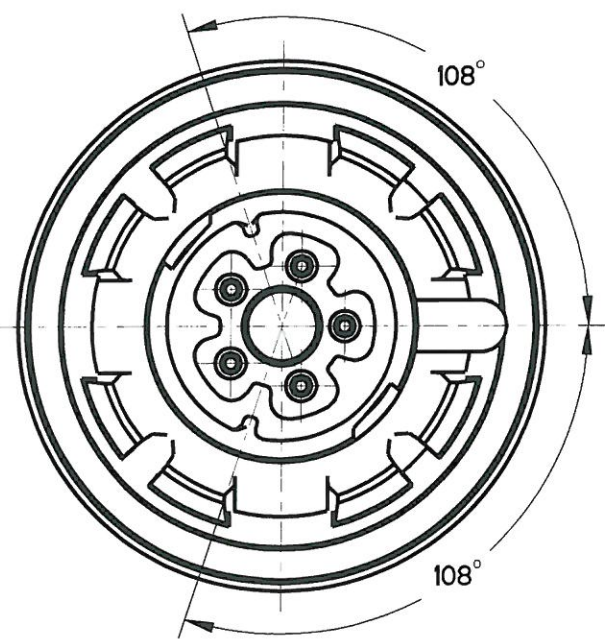


REV	ECN	APP'D
-	6598	<i>[Signature]</i>



SCALE 2:1

- NOTES:
- MATERIALS:
HOUSING: PA6/6, COLOR: WHITE
CONTACT RETAINER: STAINLESS STEEL
GROMMET AND SEALING GASKET: SILICONE RUBBER PER A-A-59588, COLOR: RED
 - ACCEPTS M39029/57-354 SOCKET CONTACTS (NOT INCLUDED)
 - PART MATES WITH SJS870510
 - WEIGHT: 3.8 GRAMS (EST.)
 - SUPPLIED WITH DUST CAP



DIMENSIONS ANSI Y14.5M UNITS: INCHES Pro/E FILE	TOLERANCES .XX ± 0.01 .XXX ± 0.005 ANGLES $\pm 1.0^\circ$	PROJECTION 	Amphenol Pcd SPECIFICATION DRAWING		TITLE 5P SZ22 PANEL WHITE RECEPTACLE FOR SJS		
			ENGR Frank.Li 27-May-10			SIZE B	DWG NO. SJS870520_CE
ORIGINAL 	THIS DOCUMENT CONTAINS PROPRIETARY INFORMATION WHICH IS THE CONFIDENTIAL PROPERTY OF AMPHENOL PCD INC., BEVERLY, MA		CHKD 10/18/10	APPD 10/18/10	CODE: 58982	SCALE: 8:3	SHEET 1 OF 1

SJS870520

SJS870520