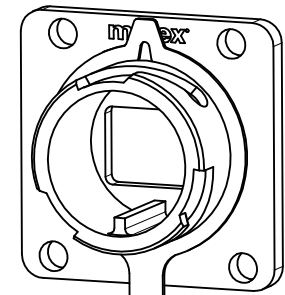
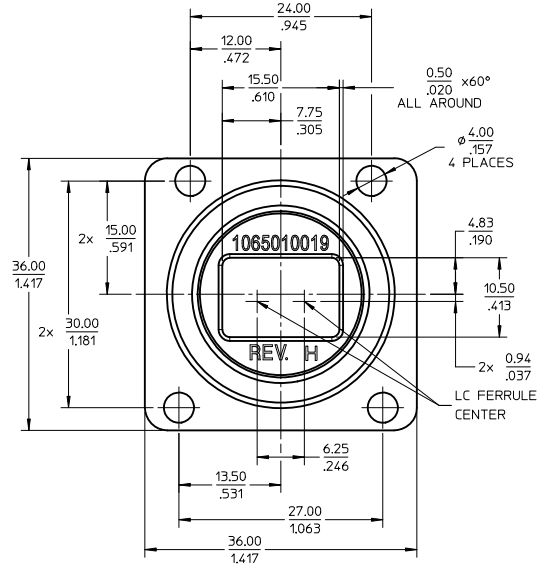
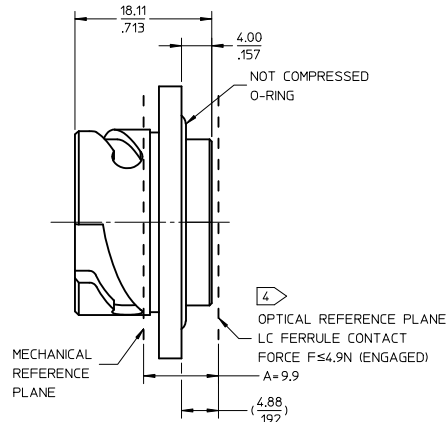
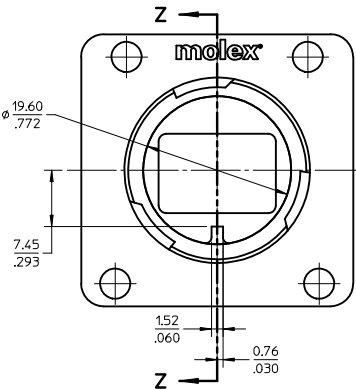
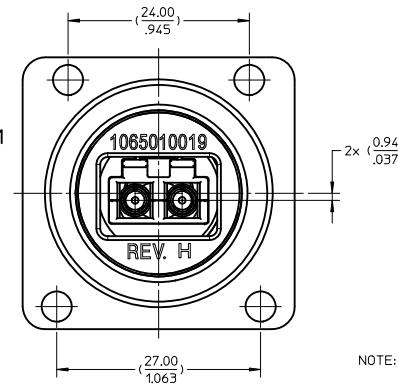
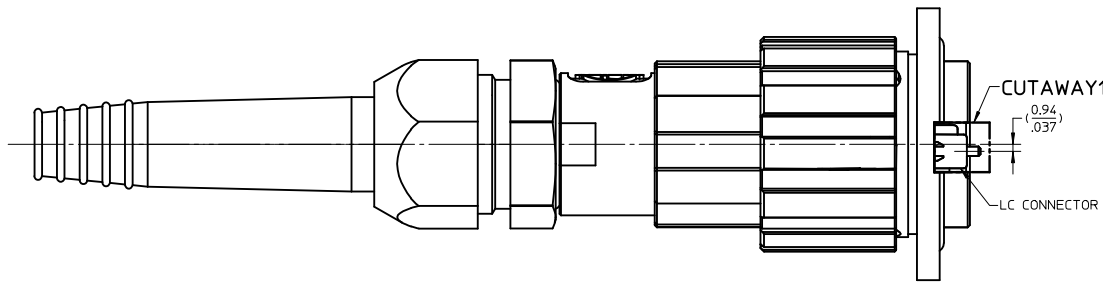


	IF	THEN
1	F=0	A≥10.45mm
2	A≤10.4mm	F≥4.1N
3	A≥9.9mm	F≤4.9N

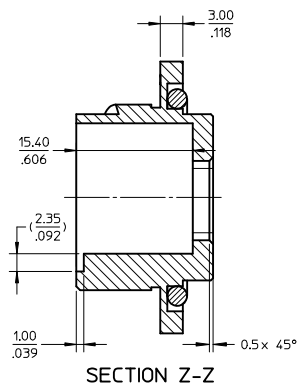
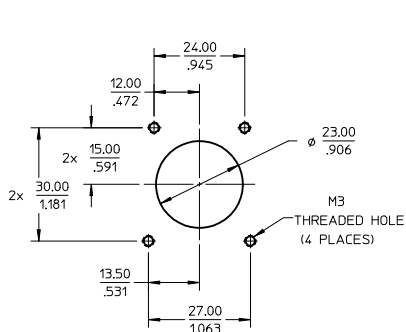


DUST CAP



NOTE:

- ALL DIMENSIONS ARE FOR REFERENCE ONLY.
- ADAPTER HOUSING MATERIAL - ZINC ALLOY AG40A (ZAMAK 3).
FINISH:
TOPCOAT: ELECTROLESS NICKEL PLATING PER ASTM B733-04 SC2.
TYPE V, CLASS 1 PLATING THICKNESS 0.013mm MIN.(0.0005in).
UNDERCOAT: COPPER PER MIL-C-14550B, CLASS 2
THICKNESS 0.0025-0.005mm (0.001-0.002in)
- O-RING MATERIAL - ETHYLENE-PROPYLENE,
70 DUROMETERS SHORE A.
- SEE TABLE FOR FERRULE EXTENSION AND CONTACT FORCE.



ENTER DESCRIPTION	QUALITY SYMBOLS
EC NO: MF 2010-0277	▽=0
DRWN:L.SADAUSKIENE 2009/12/21	▽=0
CHKD: 2009/12/21	
APPR:WCHEN 2009/12/21	
REV	DESCRIPTION

GENERAL TOLERANCES (UNLESS SPECIFIED)	
mm	INCH
4 PLACES ± ---	± ---
3 PLACES ± ---	± .005
2 PLACES ± 0.13	± ---
1 PLACE ± 0.13	± ---
ANGULAR ±1/2°	
DRAFT WHERE APPLICABLE MUST REMAIN WITHIN DIMENSIONS	

DIMENSION STYLE		SCALE	DESIGN UNITS	THIRD ANGLE PROJECTION
IN/MM		2:1	INCH	
DRAWN BY	DATE	TITLE		
L.SADAUSKAS	2008/08/19	SIMPLIFIED SFP RECEPTACLE ASSEMBLY		
CHECKED BY	DATE			
APPROVED BY	DATE			
B.ANDREI	2008/08/19			
MATERIAL NO.	DOCUMENT NO.			
1065010019	SD-106501-0019			
SIZE	THIS DRAWING CONTAINS INFORMATION THAT IS PROPRIETARY TO MOLEX INCORPORATED AND SHOULD NOT BE USED WITHOUT WRITTEN PERMISSION			

MATERIAL NO.		DOCUMENT NO.		SHEET NO.
1065010019		SD-106501-0019		1 OF 1