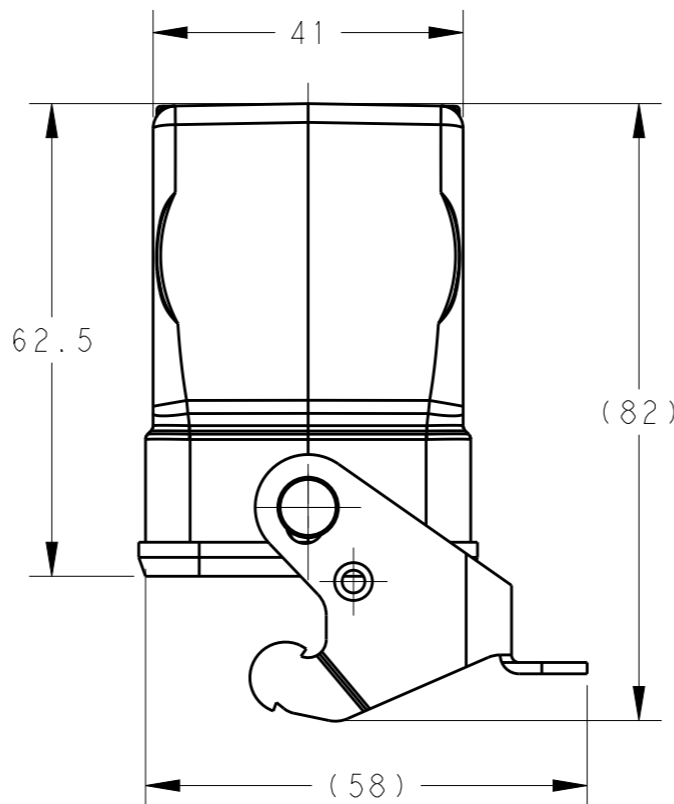
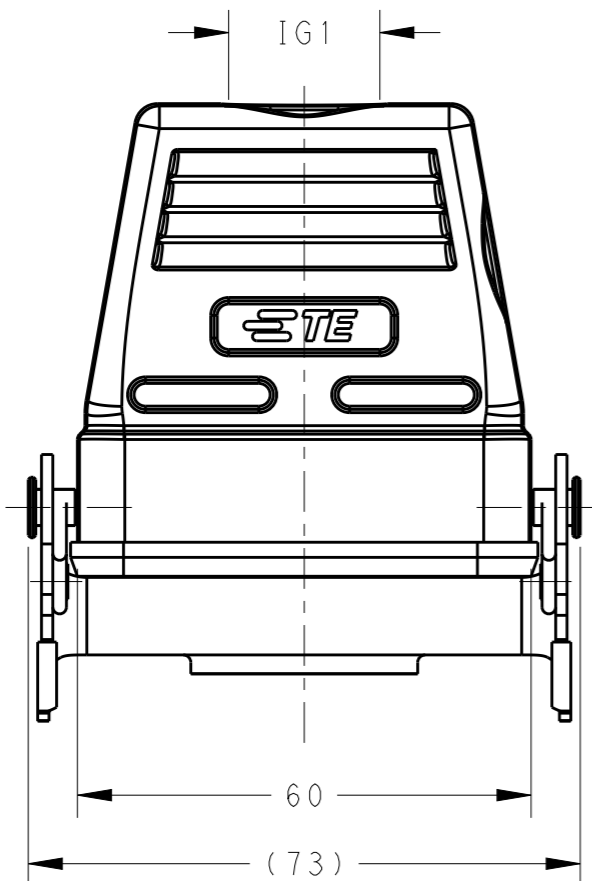


REVISIONS

P	LTR	DESCRIPTION	DATE	DWN	APVD
	A	INITIAL	23JUN2015	DW	CW
	A1	ECR-15-012067	10AUG2015	DW	CW

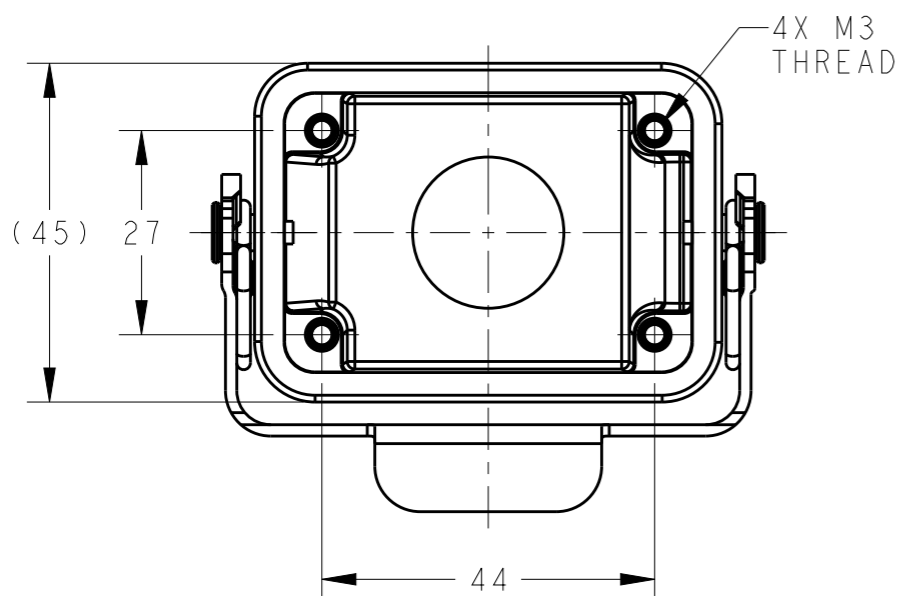


NOTES:

- 1. TECHNICAL CHARACTERISTICS:
 HOOD MATERIAL: DIE CAST ALUMINIUM ALLOY
 SURFACE: POWDER COATED, GREY
 OPERATION TEMPERATURE: -40-+125°C
 DEGREE OF PROTECTION: IP65 (MATED)

注释:

- 1. 技术参数:
 电缆对接下壳材料: 铝合金
 表面处理: 粉末涂层, 灰色
 工作温度: -40-+125°C
 防护等级: IP65(配合)



SCALE 1:2

T1730063116-000	H6B-TBF-PG16	PG16
T1730063120-000	H6B-TBF-M20	M20
T1730063125-000	H6B-TBF-M25	M25
T1730063132-000	H6B-TBF-M32	M32
PART NUMBER	DESCRIPTION	IG1

THIS DRAWING IS A CONTROLLED DOCUMENT.

DIMENSIONS:	TOLERANCES UNLESS OTHERWISE SPECIFIED:
mm	
	0 PLC ±-
	1 PLC ±-
	2 PLC ±-
	3 PLC ±-
	4 PLC ±-
	ANGLES ±-
MATERIAL	FINISH
-	-
-	-

DWN	23JUN2015
David Wang	
CHK	23JUN2015
Chris Wang	
APVD	23JUN2015
Xiang Xu	
PRODUCT SPEC	108-137013
APPLICATION SPEC	114-137013
WEIGHT	-
Customer Drawing	

		TE Connectivity	
		NAME H6B-TBF-M/PG	
SIZE	CAGE CODE	DRAWING NO	RESTRICTED TO
A3	00779	©-T17300631XX000	-
SCALE 1:1		SHEET 1 OF 1	REV A1