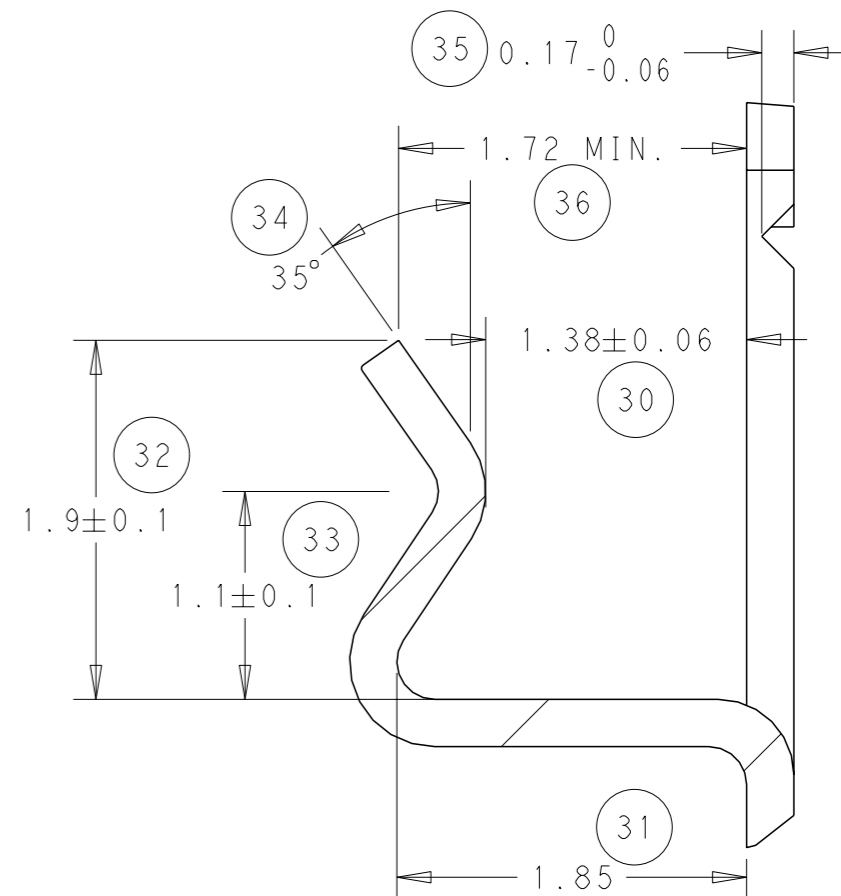
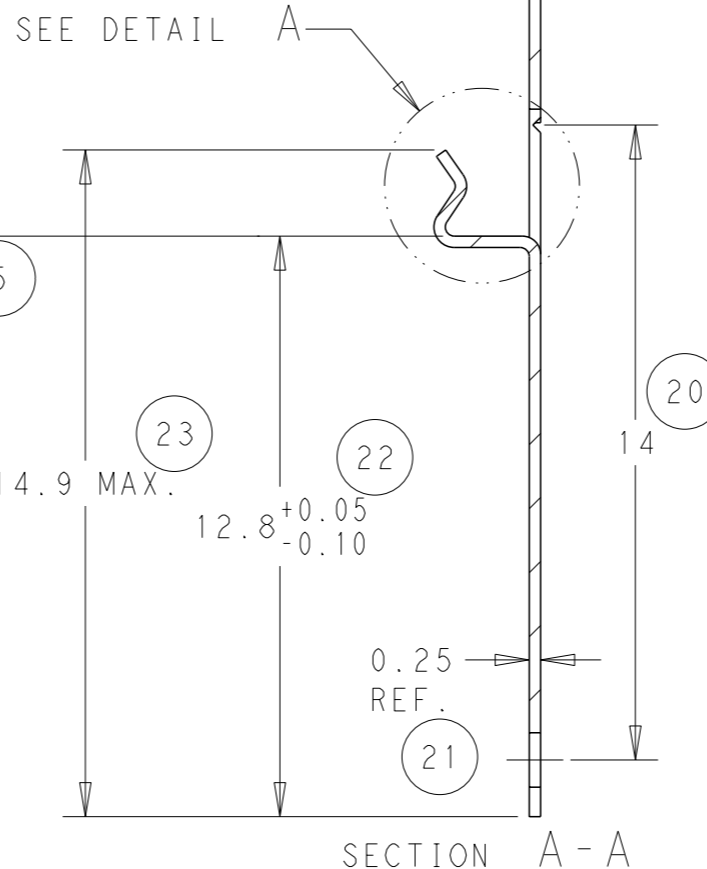
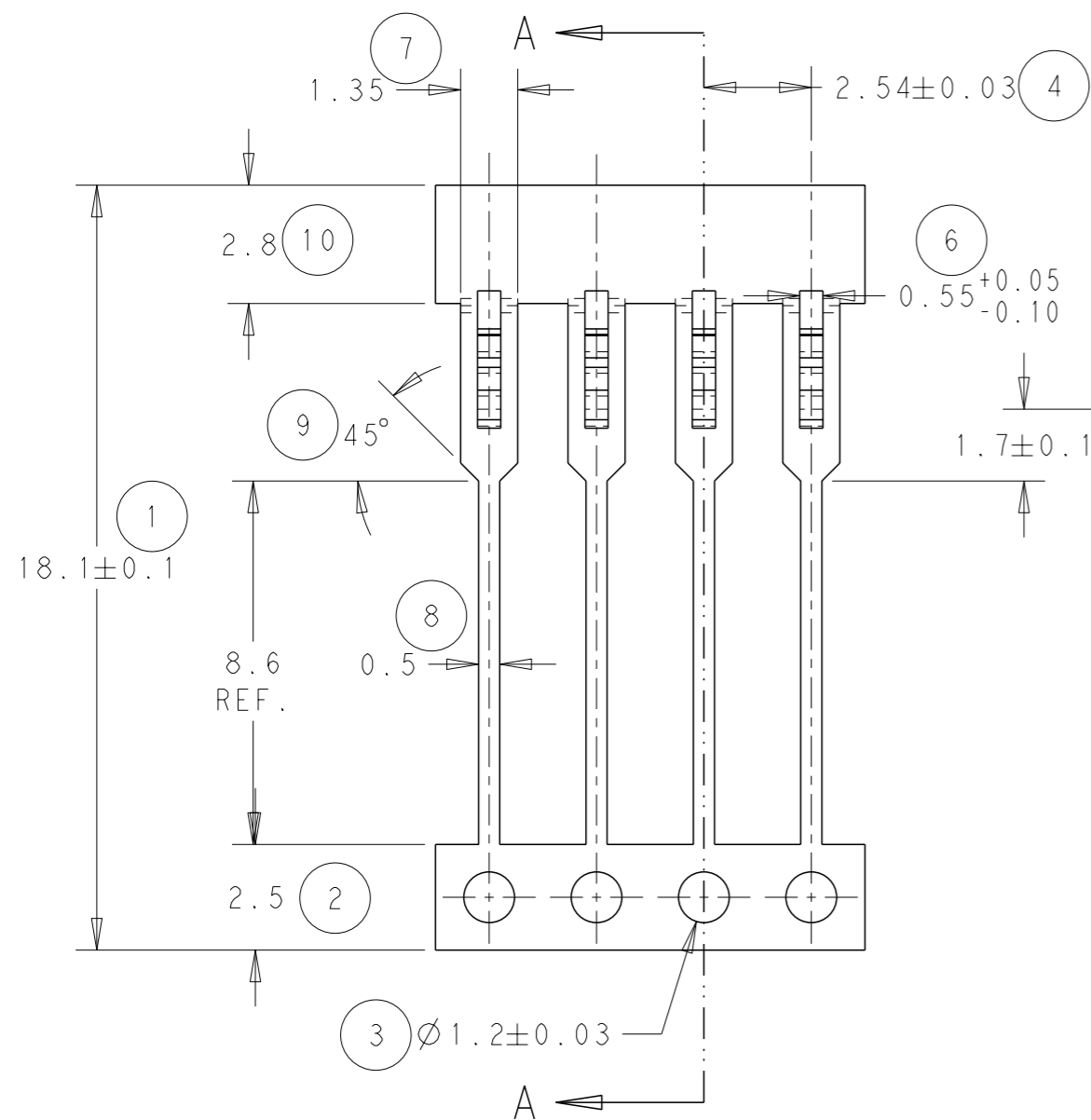
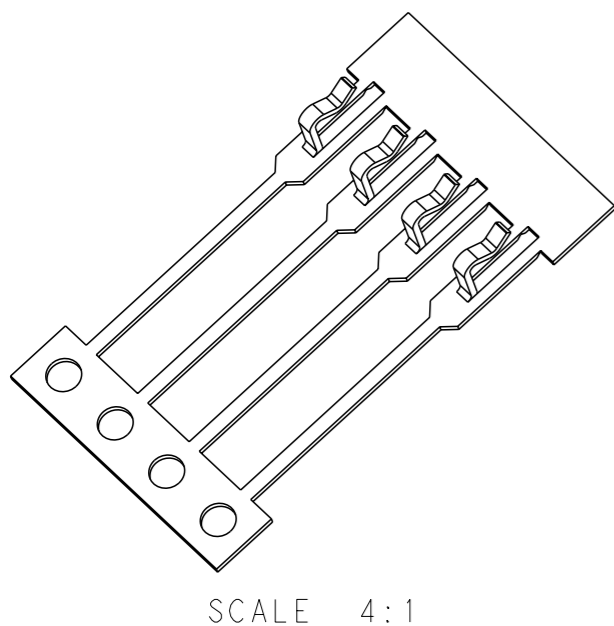


LOC	DIST	REVISIONS				
P	LTR	DESCRIPTION	DATE	DWN	APVD	
B	-	B	ECR-018847	13/09/11	JB	MG
		C	ECR-11-019621	11/10/11	JB	MG

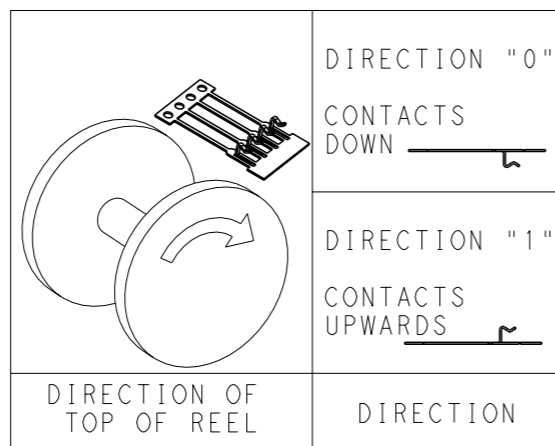


DETAIL A
SCALE 25:1

NOTE
 BOWING: AFTER UPPER TIE BAR REMOVAL - 1.5mm MAX. FOR 500mm
 PITCH: AFTER UPPER TIE BAR REMOVAL - 2.54±0.127



SCALE 4:1



THIS DRAWING IS A CONTROLLED DOCUMENT.

DIMENSIONS: mm
 TOLERANCES UNLESS OTHERWISE SPECIFIED:

0 PLC	±-
1 PLC	±-
2 PLC	±0.05
3 PLC	±-
4 PLC	±-
ANGLES	±0.5
FINISH	-

MATERIAL SEE ABOVE

DWN	J. BRIGHT	22/08/11
CHK	M. GREENER	22/08/11
APVD	D. PENNINGTON	22/08/11
PRODUCT SPEC	-	-
APPLICATION SPEC	-	-
WEIGHT	-	-

1	Sn	1544207-1
REELING	FINISH	PART NUMBER



NAME				SIL CONTACT	
SIZE				RESTRICTED TO	
A3	00779	C=1544207			
CUSTOMER DRAWING		SCALE	SHEET	OF	REV
		NTS	1	1	C