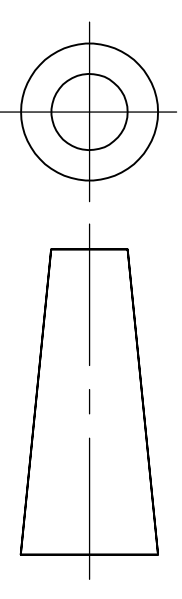


DO NOT SCALE

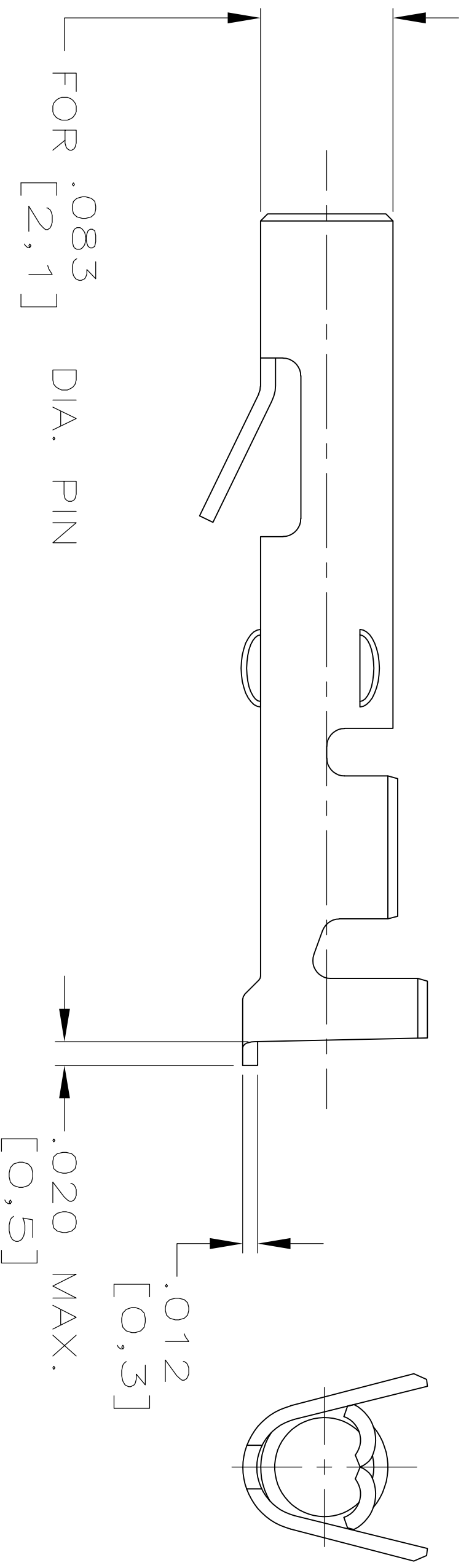
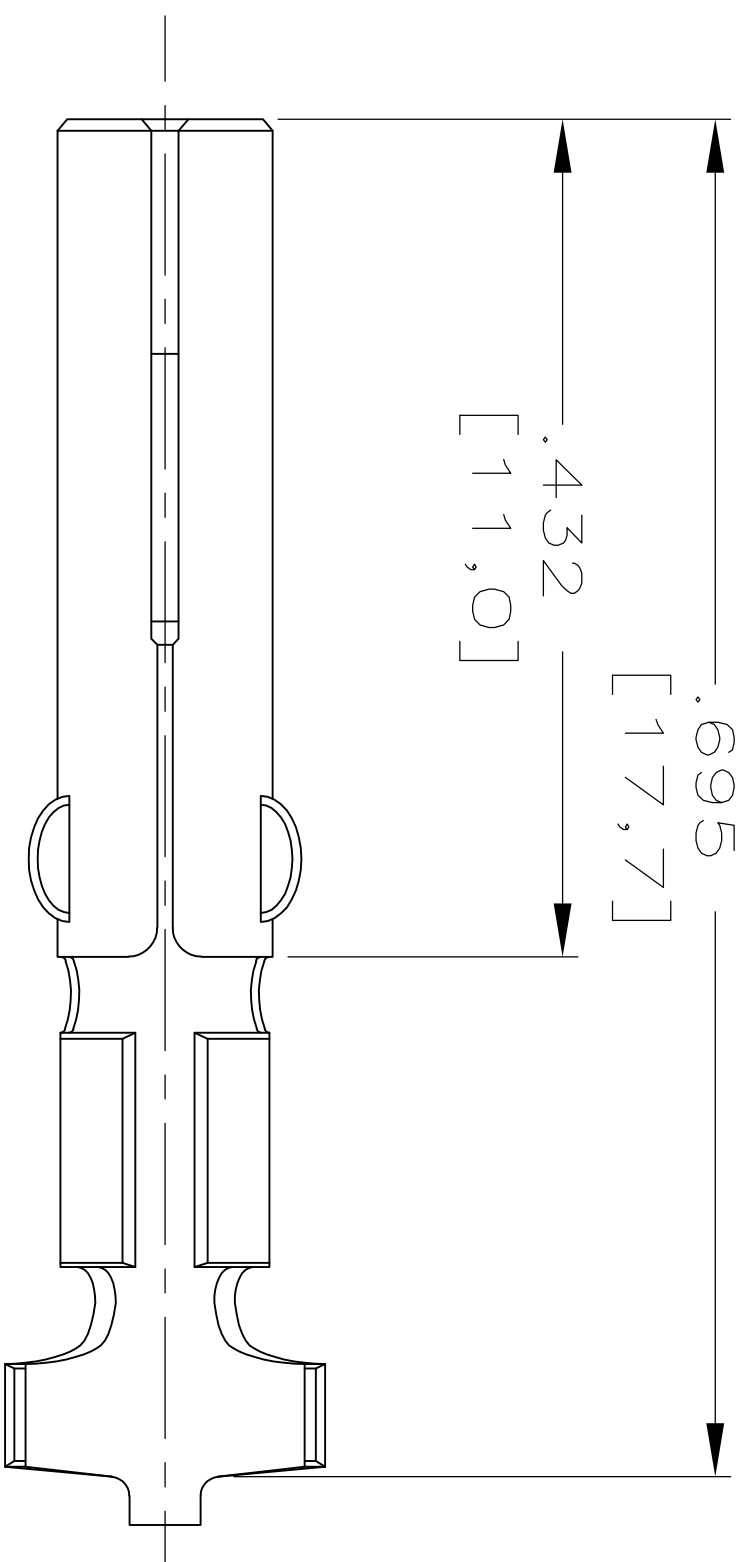
INCH

THIRD ANGLE
PROJECTION



DIMENSIONS IN INCH

WIRE RANGE :	0,5-1,0mm ² AWG
INSULATION RANGE :	.070-.130 DIA. (1,8-3,3)

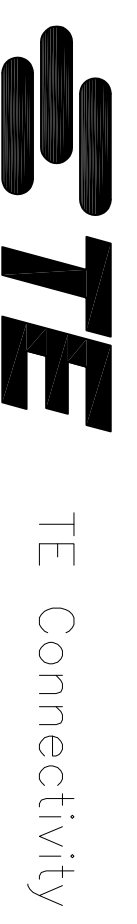


PRE TIN	Ph BRONZE	163304-4
NONE	Ph BRONZE	163304-3
PRE TIN	BRASS	163304-2
NONE	BRASS	163304-1
FINISH	MATERIAL	PARTNUMBER

CUSTOMER DRAWING

FOR REFERENCE ONLY
WILL NOT BE UPDATED

THIS DRAWING IS UNPUBLISHED
RELEASED FOR PUBLICATION _____, 19____



POCKET MATE-N-LOK
LOOSE PIECE

DR.:	D.KESSLER	CHK.:	P.BEJNON	APP.:	-
DATE:	-	DATE:	-	DATE:	-
LTR.	REVISION RECORD	DR.	CHK.	DATE	
D1	REVISED PER ECO-11-005294	RK	HMR	02APR11	

DWG.No.	163304	REV.LTR.	D1	SHEET	1 OF 1	A4
---------	--------	----------	----	-------	--------	----