

注記 NOTES:

1. 使用材料 MATERIAL
 ハウジング: PPS,UL94V-0
 ターミナル: リン青銅 (τ=0.25)
 メッキ: ニッケル下地
 接点部: 金メッキ
 テール部: 錫メッキ

ハウジング: PPS,UL94V-0
 TERMINAL: PHOSPHOR BRONZE
 PLATING: CONTACT AREA: GOLD PLATING
 TAIL AREA: TIN PLATING OVER NICKEL

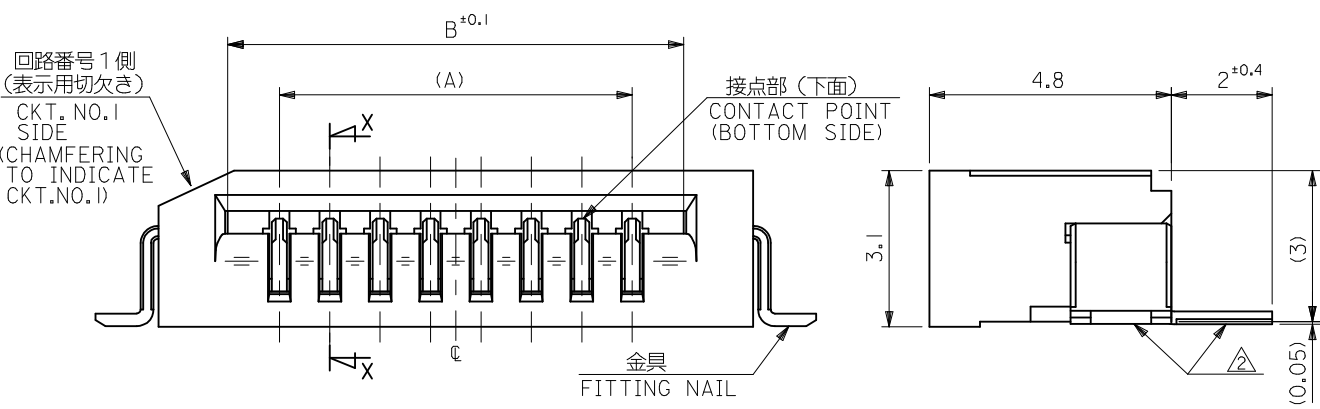
金具: リン青銅 (τ=0.25)
 メッキ: ニッケル下地 錫メッキ

FITTING NAIL: PHOSPHOR BRONZE
 PLATING: TIN OVER NICKEL

△ 基準面 E からのソルダーテールとフィッティングネイルの半田付け面のズレ量は、
 上方向に0.1MAX. 下方向0.15MAX.とする。
 MISALIGNMENT OF SOLDER TAIL AND FITTING NAIL FROM E
 : UPPER DIRECTION 0.1 MAX. , LOWER DIRECTION 0.15 MAX.

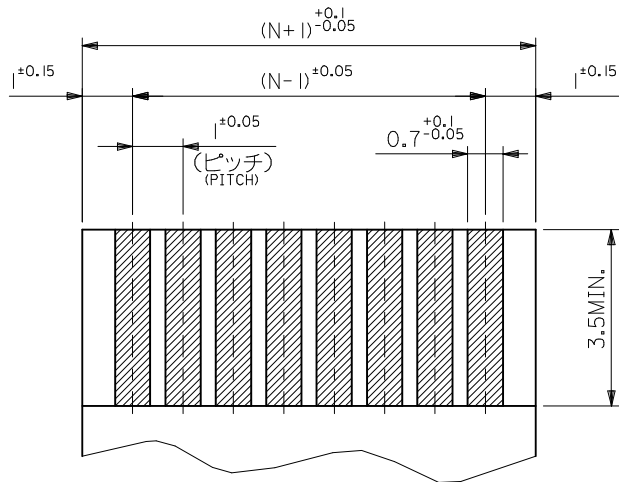
△ 偶数極に適用。
 APPLY FOR EVEN CKT.

4. 本製品は 52852 シリーズの金メッキ品である。
 THIS PRODUCT IS Au PLATING OF 52852 SERIES.



32.8	30.05	28	52852-2971	29
29.8	27.05	25	52852-2671	26
27.8	25.05	23	52852-2471	24
19.8	17.05	15	52852-1671	16
18.8	16.05	14	52852-1571	15
17.8	15.05	13	52852-1471	14
16.8	14.05	12	52852-1371	13
15.8	13.05	11	52852-1271	12
7.8	5.05	3	52852-0471	4
C	B	A	MATERIAL NO.	極数 CIRCUIT

REVISED EC NO: J2014-0324 DRWN:MTAKAHASHI 04/2013/08/20 CHKD:KAKAHASHI 2013/08/20 APPR:YNOGAWA 2013/08/27	GENERAL TOLERANCES (UNLESS SPECIFIED)		DIMENSION STYLE MM ONLY		SCALE ---	MODEL NO. 52852-**71 DESIGN UNITS METRIC	
	10 UNDER	±0.2	DRAWN BY M. NABEI	DATE '05/08/23	TITLE 1.0 FFC CONN NON ZIF SMT RA (BOTTOM CONTACT) -LEAD FREE-		
	10 OVER 30 UNDER	±0.25	CHECKED BY K. TOYODA	DATE '05/08/23			
	30 OVER	±0.3	APPROVED BY N. UKITA	DATE '05/08/23			
ANGULAR ±3 °		MATERIAL NO. SEE CHART		DOCUMENT NO. SD-52852-012		SHEET NO. 1 OF 2	
DRAFT WHERE APPLICABLE MUST REMAIN WITHIN DIMENSIONS		THIS DRAWING CONTAINS INFORMATION THAT IS PROPRIETARY TO MOLEX INCORPORATED AND SHOULD NOT BE USED WITHOUT WRITTEN PERMISSION					



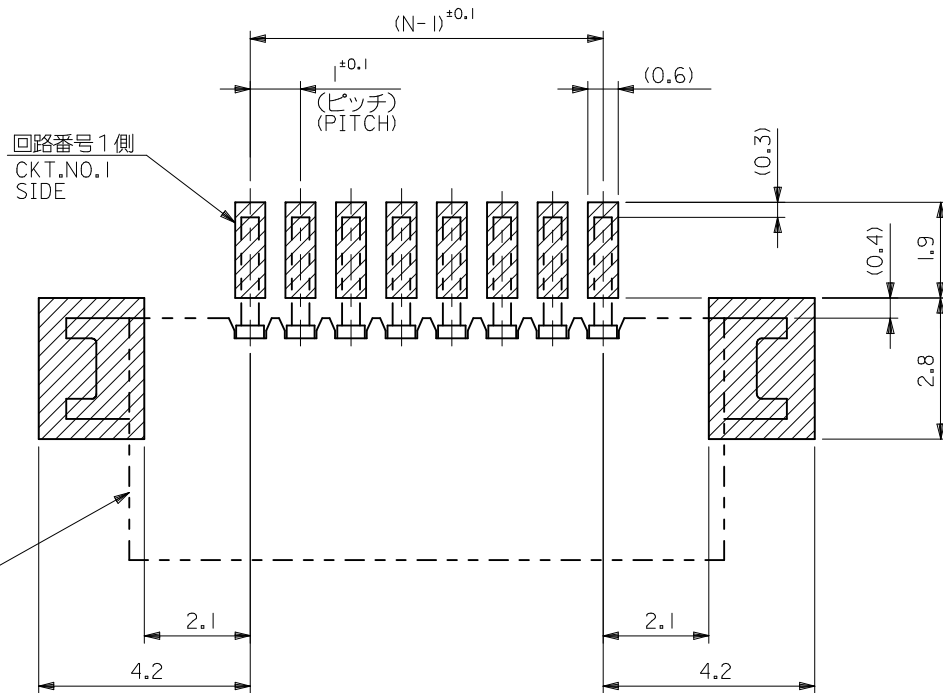
(仕上がり厚さ) $0.3^{+0.03}$
 THICKNESS
 適合FPC/FFC推奨寸法
 APPLICABLE FPC/FFC
 RECOMMENDED DIMENSION.

FPC/FFCについて：
 打抜き方向は導体側から補強板側を推奨いたします。

ABOUT FPC/FFC
 RECOMMENDED PUNCHER DIRECTION : FROM CONDUCTOR SIDE TO STIFFENER FILM SIDE.

FPCについて：
 補強フィルム材質はポリイミドを推奨します。
 接着剤は熱硬化接着剤を推奨します。

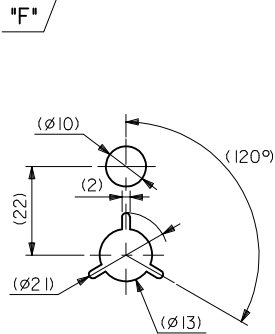
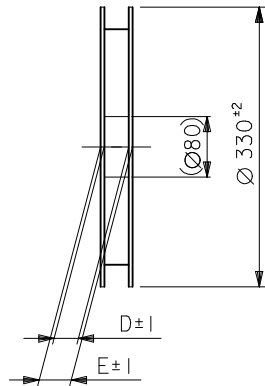
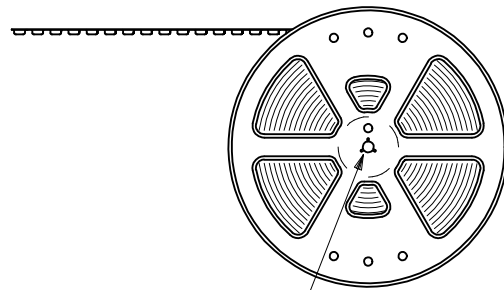
ABOUT FPC
 RECOMMENDED MATERIAL :
 STIFFENER FILM : POLYIMIDE
 BONDING AGENT : THERMOSETTING BONDING AGENT



参考基板レイアウト (マウント面)
 RECOMMENDED P.C.BOARD
 PATTERN DIMENSION. (REF.)
 (MOUNTING AREA)

REVISED EC NO: J2014-0324 DRWN:MTAKAHASHI 04/2013/08/20 CHKD:KAKAHASHI 2013/08/20 APPR:YNOGAWA 2013/08/21	DESCRIPTION GENERAL TOLERANCES (UNLESS SPECIFIED)	10 UNDER	±0.2	DRAWN BY	M. NABEI	DATE	'05/08/23	TITLE 1.0 FFC CONN NON ZIF SMT RA (BOTTOM CONTACT) -LEAD FREE- molex			
		10 OVER 30 UNDER	±0.25	CHECKED BY	K. TOYODA	DATE	'05/08/23				
		30 OVER	±0.3	APPROVED BY	N. UKITA	DATE	'05/08/23				
		ANGULAR ±3 °		MATERIAL NO.		DOCUMENT NO.					
DRAFT WHERE APPLICABLE MUST REMAIN WITHIN DIMENSIONS		SEE SHEET 1 OF 2		SD-52852-012		SHEET NO. 2 OF 2					
DIMENSION STYLE MM ONLY								SCALE ---	DESIGN UNITS METRIC	MODEL NO. 52852-**71	THIRD ANGLE PROJECTION
THIS DRAWING CONTAINS INFORMATION THAT IS PROPRIETARY TO MOLEX INCORPORATED AND SHOULD NOT BE USED WITHOUT WRITTEN PERMISSION											

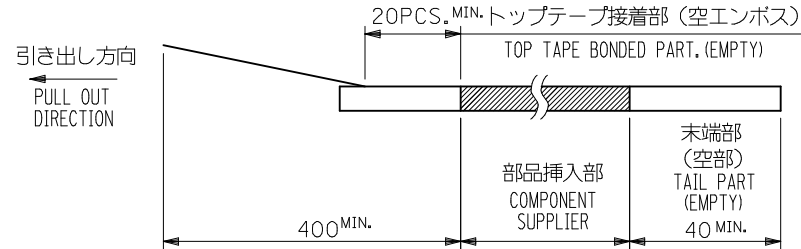
引き出し方向
PULL OUT DIRECTION



DETAIL "F"

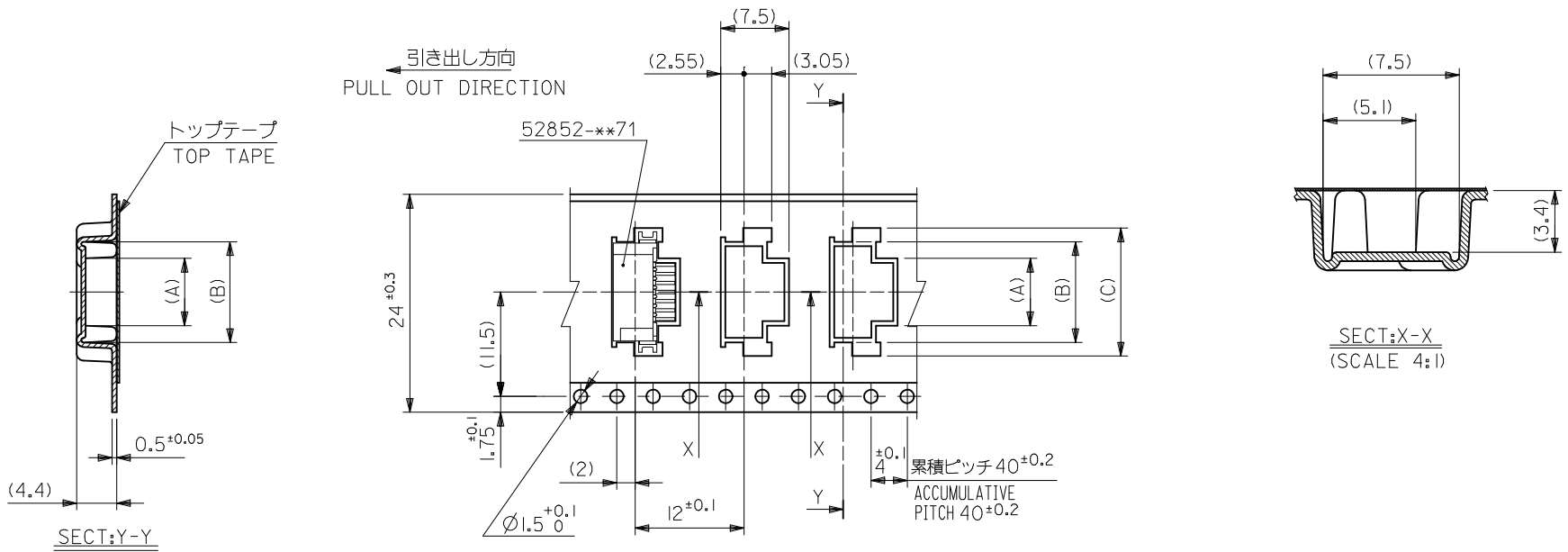
NOTES

- 製品詳細寸法については図面 SD-52852-012 を参照下さい。
RE DETAILED DIMENSION, SEE SD-52852-012.
- 梱包数量：1000個/リール
NUMBER OF CONNECTORS：1000PCS/REEL
- リードテープ長さ LEAD TAPE LENGTH



- 材料 (MATERIAL)
キャリアテープ (CARRIER TAPE)：ポリプロピレン (POLYPROPYLENE)
トップテープ (TOP TAPE)：PET, PE, PEF
リール (REEL)：ポリスチレン (PS) <リサイクル材を含む>
POLYSTYREN (PS) <RECYCLE MATERIAL CONTAINED>
- 本製品は 52852 シリーズの金メッキ品である。
THIS PRODUCT IS Au PLATING OF 52852 SERIES.

REVISED EC NO: J2014-0324 DRWN:MTAKAHASHI 04/2013/08/20 CHKD:KTAHAKASHI 2013/08/20 APPR:YNOGAWA 2013/08/27	GENERAL TOLERANCES (UNLESS SPECIFIED)		DIMENSION STYLE MM ONLY		SCALE ---	52852-**-72	MODEL NO.
	10 UNDER	±0.2	DRAWN BY M. NABEI	DATE '05/08/23	TITLE 1.0 FPC CONN NON ZIF SMT RA BOTTOM CONTACT EMBSTP -LEAD FREE-	DESIGN UNITS METRIC	
	10 OVER 30 UNDER	±0.25	CHECKED BY K. TOYODA	DATE '05/08/23	THIRD ANGLE PROJECTION		
	30 OVER	±0.3	APPROVED BY N. UKITA	DATE '05/08/23		DOCUMENT NO. SD-52852-013	SHEET NO. 1 OF 5
ANGULAR ±3 °	DRAFT WHERE APPLICABLE MUST REMAIN WITHIN DIMENSIONS		MATERIAL NO. SEE CHART		THIS DRAWING CONTAINS INFORMATION THAT IS PROPRIETARY TO MOLEX INCORPORATED AND SHOULD NOT BE USED WITHOUT WRITTEN PERMISSION		

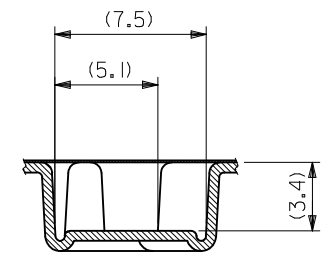
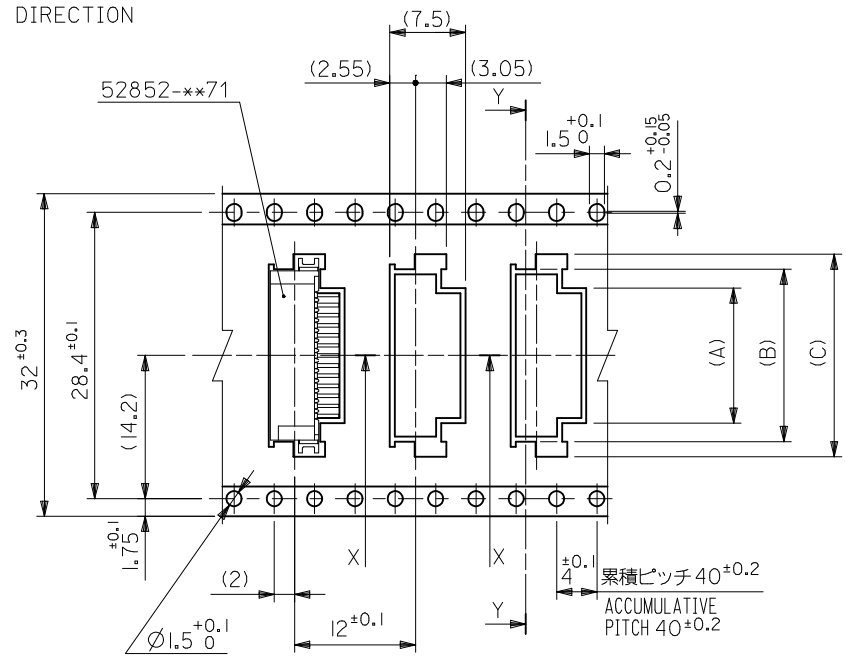
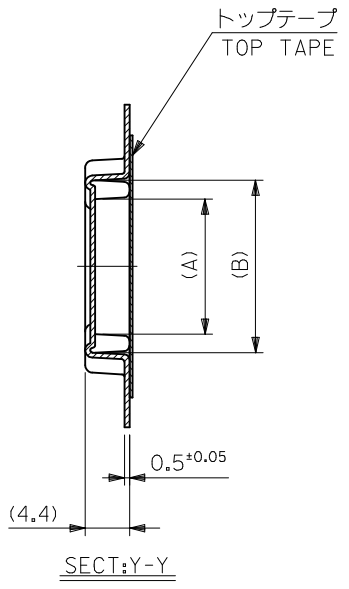


24mm幅キャリアテープ
24mm WIDTH CARRIER TAPE

24	29.4	25.4	11.1	8.1	4.4	52852-0472	4
キャリアテープ幅 CARRIER TAPE WIDTH	E	D	(C)	(B)	(A)	MATERIAL NO.	種数 CKT.

REVISED EC NO: J2014-0324 DRWN:MTAKAHASHI 04/2013/08/20 CHKD:KTAHASHI 2013/08/20 APPR:YNOGAWA 2013/08/27	GENERAL TOLERANCES (UNLESS SPECIFIED)		DIMENSION STYLE MM ONLY		SCALE ---	DESIGN UNITS METRIC	MODEL NO. 52852-**72	THIRD ANGLE PROJECTION
	10 UNDER	±0.2	DRAWN BY M. NABEI	DATE '05/08/23	TITLE 1.0 FPC CONN NON ZIF SMT RA BOTTOM CONTACT EMBSTP -LEAD FREE-			
	10 OVER 30 UNDER	±0.25	CHECKED BY K. TOYODA	DATE '05/08/23	molex			
	30 OVER	±0.3	APPROVED BY N. UKITA	DATE '05/08/23				
ANGULAR ±3 °		MATERIAL NO. SEE CHART		DOCUMENT NO. SD-52852-013	SHEET NO. 2 OF 5			
DRAFT WHERE APPLICABLE MUST REMAIN WITHIN DIMENSIONS		THIS DRAWING CONTAINS INFORMATION THAT IS PROPRIETARY TO MOLEX INCORPORATED AND SHOULD NOT BE USED WITHOUT WRITTEN PERMISSION						

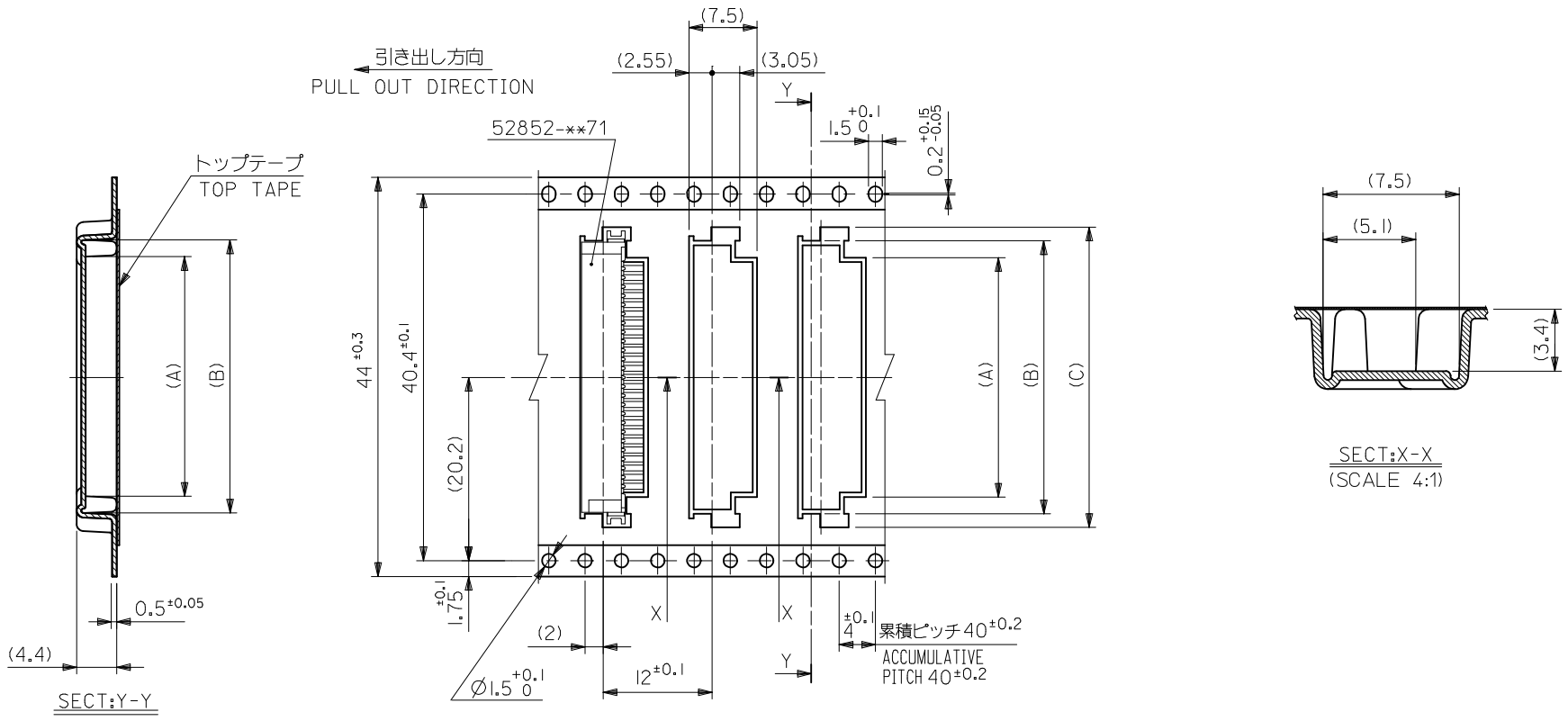
引き出し方向
PULL OUT DIRECTION



32mm幅キャリアテープ
32mm WIDTH CARRIER TAPE

32	33.7	33.4	23.1	20.1	16.4	52852-1672	16
			22.1	19.1	15.4	52852-1572	15
			21.1	18.1	14.4	52852-1472	14
			20.1	17.1	13.4	52852-1372	13
			19.1	16.1	12.4	52852-1272	12
キャリアテープ幅 CARRIER TAPE WIDTH	E	D	(C)	(B)	(A)	MATERIAL NO.	種数 CKT.

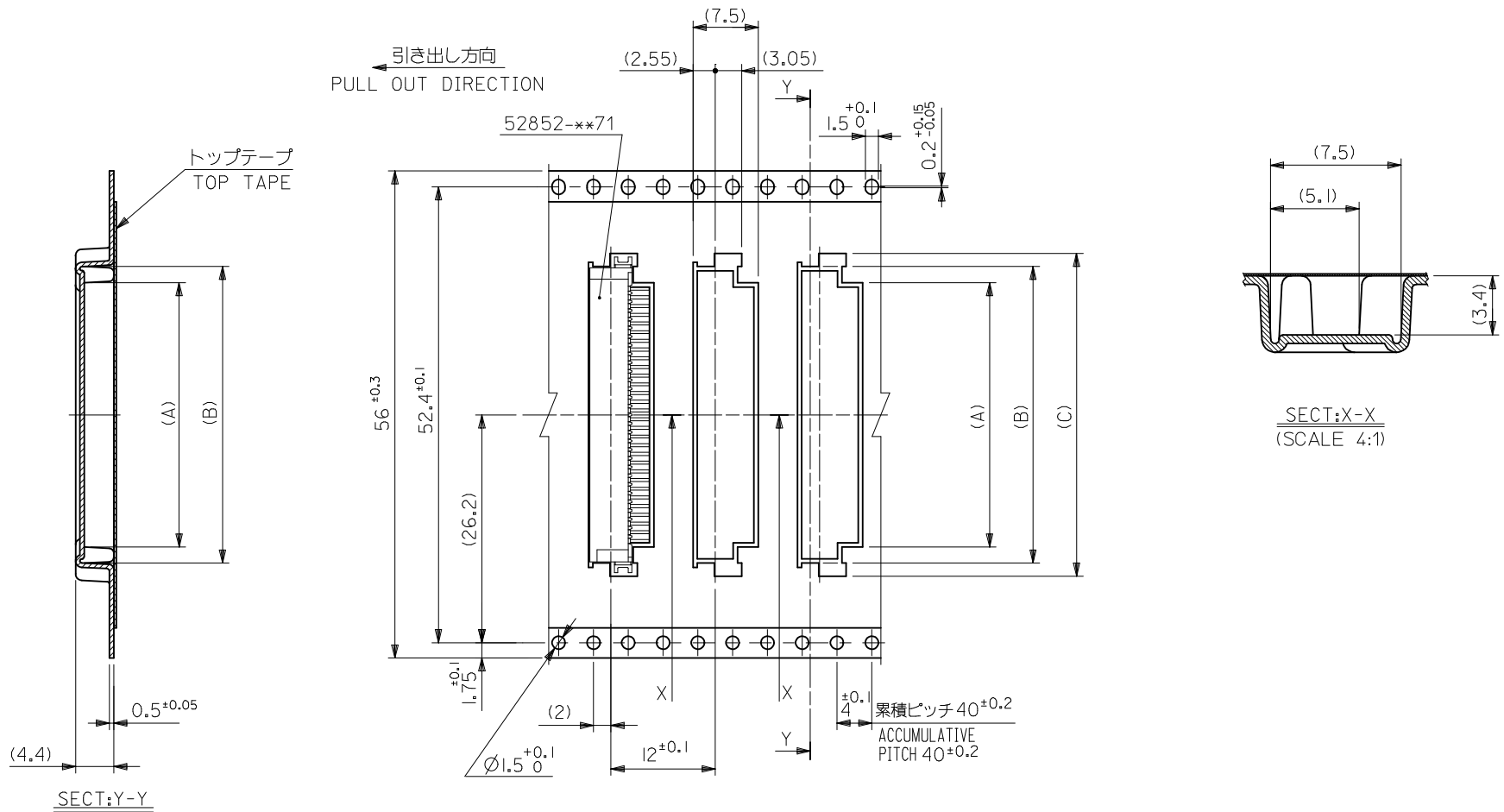
REVISED EC NO: J2014-0324 DRWN:MTAKAHASHI 04/2013/08/20 CHKD:KTAHAKASHI 2013/08/20 APPR:YNOGAWA 2013/08/27	GENERAL TOLERANCES (UNLESS SPECIFIED)		DIMENSION STYLE MM ONLY		SCALE ---	DESIGN UNITS METRIC	MODEL NO. 52852-**-72	THIRD ANGLE PROJECTION
	10 UNDER	±0.2	DRAWN BY M. NABEI	DATE '05/08/23	TITLE 1.0 FPC CONN NON ZIF SMT RA BOTTOM CONTACT EMBSTP -LEAD FREE-			
	10 OVER 30 UNDER	±0.25	CHECKED BY K. TOYODA	DATE '05/08/23				
	30 OVER	±0.3	APPROVED BY N. UKITA	DATE '05/08/23				
ANGULAR ±3 °		DRAFT WHERE APPLICABLE MUST REMAIN WITHIN DIMENSIONS		MATERIAL NO. SEE CHART	DOCUMENT NO. SD-52852-013	SHEET NO. 3 OF 5		
THIS DRAWING CONTAINS INFORMATION THAT IS PROPRIETARY TO MOLEX INCORPORATED AND SHOULD NOT BE USED WITHOUT WRITTEN PERMISSION								



44mm幅キャリアテープ
44mm WIDTH CARRIER TAPE

44	49.5	45.5	33.1	30.1	26.4	52852-2672	26
			31.1	28.1	24.4	52852-2472	24
キャリアテープ幅 CARRIER TAPE WIDTH	E	D	(C)	(B)	(A)	MATERIAL NO.	種数 CKT.

REVISED EC NO: J2014-0324 DRWN:MTAKAHASHI 04/2013/08/20 CHK'D:KAKAHASHI 2013/08/20 APPR:YNOGAWA 2013/08/27	GENERAL TOLERANCES (UNLESS SPECIFIED)		DIMENSION STYLE MM ONLY		SCALE ---	DESIGN UNITS METRIC	MODEL NO.
	10 UNDER	± 0.2	DRAWN BY M. NABEI	DATE '05/08/23	TITLE 1.0 FPC CONN NON ZIF SMT RA BOTTOM CONTACT EMBSTP -LEAD FREE-		
	10 OVER 30 UNDER	± 0.25	CHECKED BY K. TOYODA	DATE '05/08/23			
	30 OVER	± 0.3	APPROVED BY N. UKITA	DATE '05/08/23			
ANGULAR ± 3 °		MATERIAL NO.		DOCUMENT NO.		SHEET NO.	
DRAFT WHERE APPLICABLE MUST REMAIN WITHIN DIMENSIONS		SEE CHART		SD-52852-013		4 OF 5	
		THIS DRAWING CONTAINS INFORMATION THAT IS PROPRIETARY TO MOLEX INCORPORATED AND SHOULD NOT BE USED WITHOUT WRITTEN PERMISSION					



SECT:Y-Y

SECT:X-X
(SCALE 4:1)

56mm幅キャリアテープ
56mm WIDTH CARRIER TAPE

56	61.4	57.4	36.1	33.1	29.4	52852-2972	29
キャリアテープ幅 CARRIER TAPE WIDTH	E	D	(C)	(B)	(A)	MATERIAL NO.	種数 CKT.

REVISED EC NO: J2014-0324 DRWN:MTAKAHASHI 04/2013/08/20 CHK'D:TKAKAHASHI 2013/08/20 APPR:YNOGAWA 2013/08/27	GENERAL TOLERANCES (UNLESS SPECIFIED)		DIMENSION STYLE MM ONLY		SCALE ---	DESIGN UNITS METRIC	MODEL NO. 52852-***72	THIRD ANGLE PROJECTION	
	10 UNDER ±0.2	10 OVER 30 UNDER ±0.25	30 OVER ±0.3	DRAWN BY M. NABEI	DATE '05/08/23	TITLE 1.0 FPC CONN NON ZIF SMT RA BOTTOM CONTACT EMBSTP -LEAD FREE-			
	ANGULAR ±3 °			CHECKED BY K. TOYODA	DATE '05/08/23	molex			
	DRAFT WHERE APPLICABLE MUST REMAIN WITHIN DIMENSIONS			APPROVED BY N. UKITA	DATE '05/08/23	MATERIAL NO. SEE CHART	DOCUMENT NO. SD-52852-013	SHEET NO. 5 OF 5	