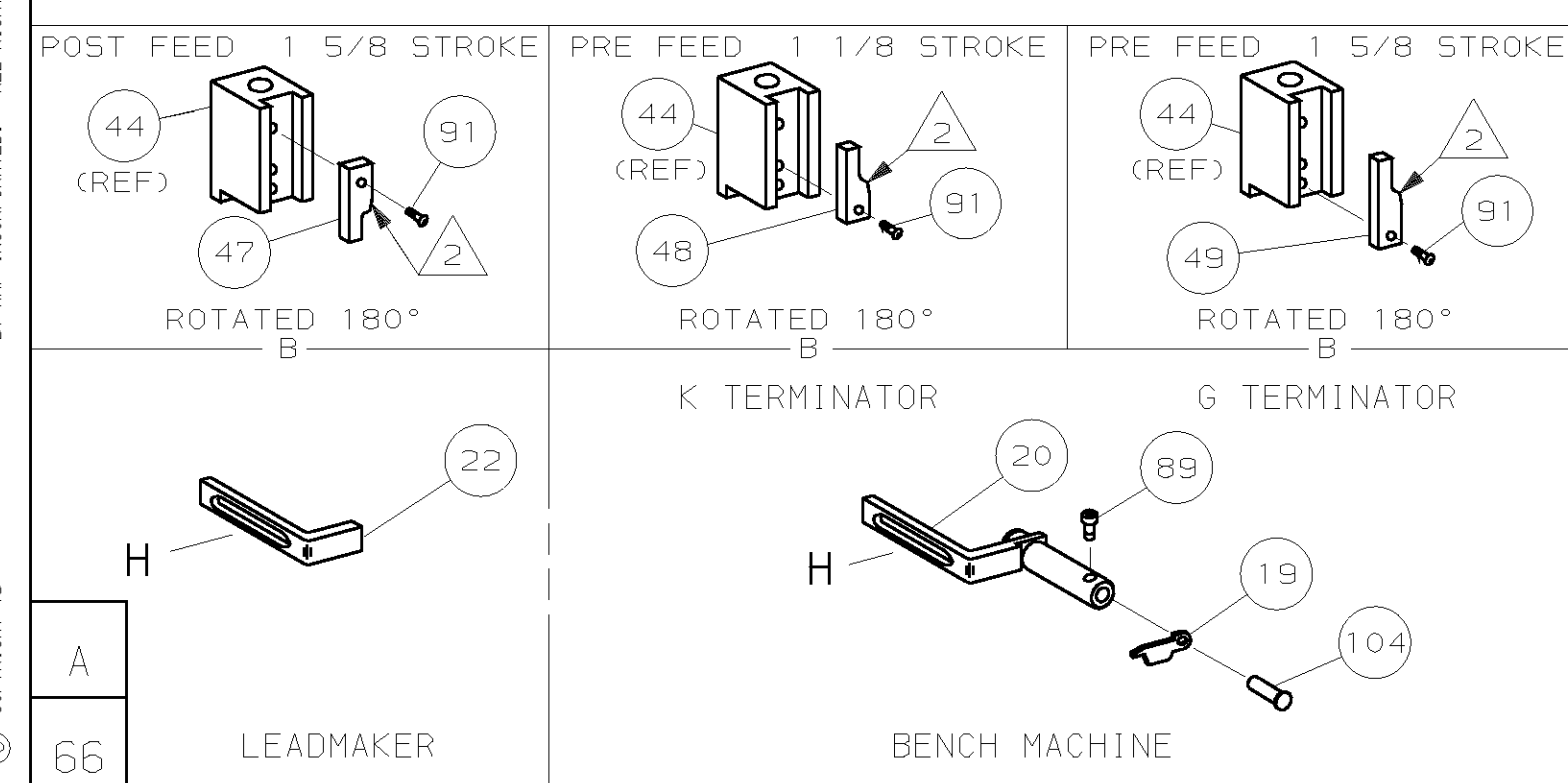
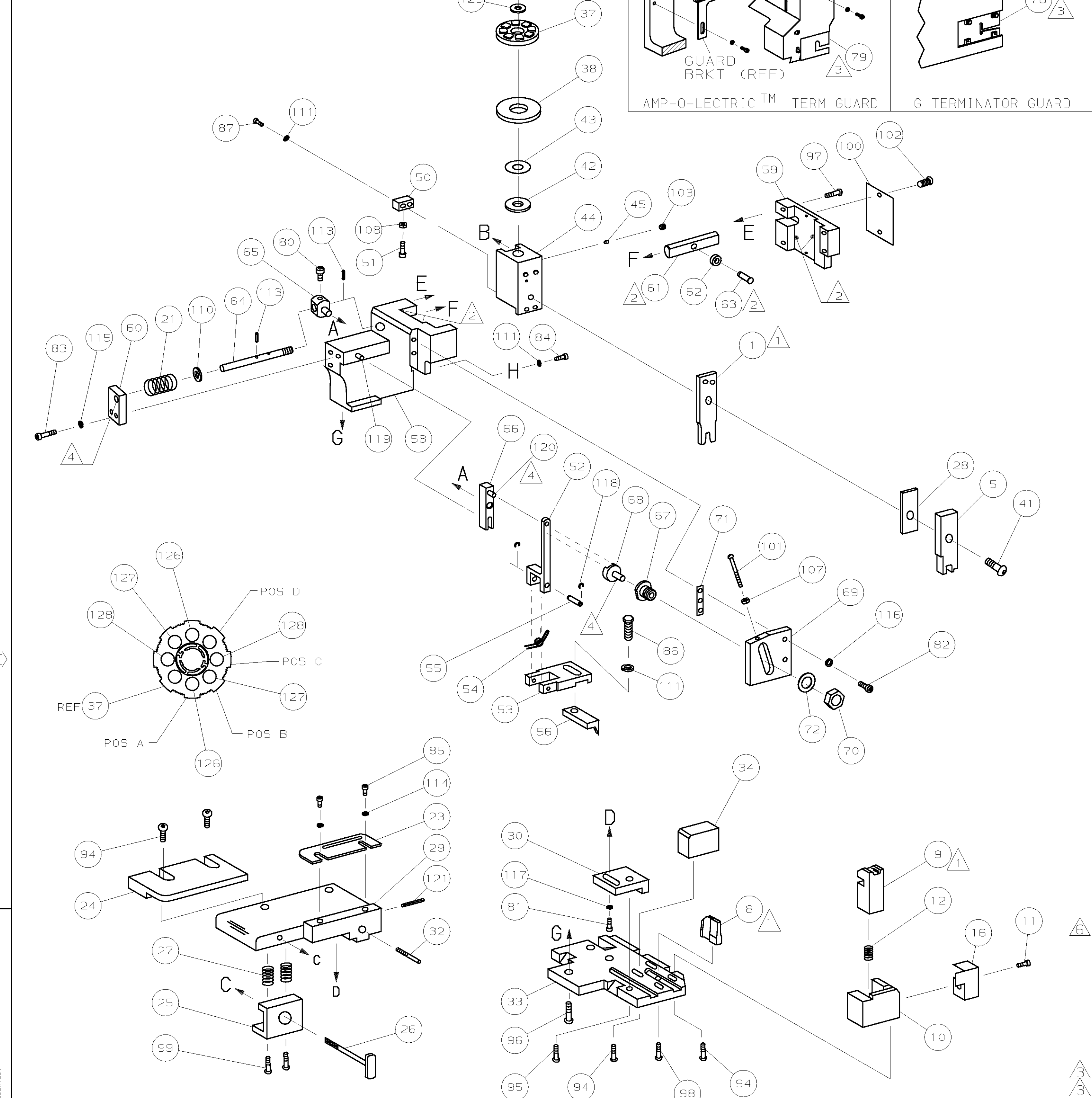


PART NUMBER	REV	FIRST USED
680325	C	122500-1
680325	C	565435-5
680325	C	354500-1



- 1 RECOMMENDED SPARE PARTS.
- 2 GREASE LIGHTLY.
- 3 GUARD MUST BE IN PLACE WHEN OPERATING APPLICATOR IN A BENCH MACHINE.
- 4 LUBRICATE DAILY USING NO. 20 MACHINE OIL.
- 5. ITEMS WITH QTY OF REF SPECIFIED (EXCEPT ITEMS 78 AND 79) ARE USED ON ITEM 46.
- 6 CUT TO LENGTH AT ASSY

WIRE STRIP LENGTH		TERM APPL SPEC	FEED	APPL INSTRUCTION	SET UP GAGE	LAYOUT
-		114-2036	.540	408-8040	458637-1	L1784

WIRE STRIP LENGTH		TERM APPL SPEC	FEED	APPL INSTRUCTION	SET UP GAGE	LAYOUT	
2	2	2	-	C	9-354778-7	PIN, WIRE DISC (.2980)C 129	
2	2	2	-	C	8-354778-3	PIN, WIRE DISC (.2910)B 127	
2	2	2	-	C	6-354778-3	PIN, WIRE DISC (.2810)A 126	
1	1	1	-	A	986950-1	WASHER, FLAT PRECISION 125	
1	1	1	-	A	217238-1	GENERAL INSTRUCTION PACKAGE 124	
1	1	1	-	-	4088040	SF APPL INST 408-8040 123	
1	1	1	-	-		122	
1	1	1	-	A	4-21028-0	PIN, SLT SPR (ø.093x.75) ST GDE PL 121	
REF	REF	REF	-	A	1-21030-1	PIN, DOWEL (ø.187x.50) LEVER 120	
REF	REF	REF	-	A	1-21030-6	PIN, DOWEL (ø.187x1.25) HOUSING 119	
REF	REF	REF	-	A	21045-3	RING, RET "C" (ø.187) FD FING PIN 118	
1	1	1	-	A	21024-5	WASHER, LOCK (#10) ADJ BLOCK 117	
REF	REF	REF	-	A	21024-5	WASHER, LOCK (#10) ADJ PLATE 116	
REF	REF	REF	-	A	21024-5	WASHER, LOCK (#10) FEED GDE ROD 115	
2	2	2	-	A	21024-2	WASHER, LOCK (#4) FRONT STP GUIDE 114	
REF	REF	REF	-	A	5-21028-1	PIN, SLT SPR (ø.125x.50) ADJ ROD 113	
						112	
4	4	4	-	A	21024-4	WASHER, LOCK (#8) STRIPPER 111	
REF	REF	REF	-	A	21899-4	WASHER, FLAT (ø5/16) SCREW ADJ 110	
						109	
1	1	1	-	A	21018-5	NUT, HEX (NO. 6) HOLDDOWN 108	
REF	REF	REF	-	A	21018-5	NUT, HEX (6-32) FEED ADJ 107	
						106	
						105	
1	1	1	-	A	992031-1	PIN, CLEVIS 104	
1	1	1	-	A	21009-2	SCR, SKT 5ET (1/4-20x.25 LW) RAM 103	
2	2	2	-	A	21017-2	SCR, DRIVE (#2x.19) ID PLATE 102	
REF	REF	REF	-	A	6-23715-5	SCR, PAN HD (6-32x1.50) FEED ADJ 101	
1	1	1	-	B	461264-1	PLATE, IDENTIFICATION 100	
2	2	2	-	A	3-21002-0	SCR, BHC (10-32x.88) DRAG 99	
1	1	1	-	A	22733-8	SCR, BHC (8-32x.38 LW) ANVIL 98	
REF	REF	REF	-	A	2-21002-9	SCR, BHC (10-32x.75) CAP 97	
REF	REF	REF	-	A	2-22733-8	SCR, BHC (1/4-20x.62) HOUSING 96	
REF	REF	REF	-	A	2-21002-7	SCR, BHC (10-32x.50) 56 ADJ BLOCK 95	
6	6	6	-	A	2-21002-2	SCR, BHC (8-32x.50) TERM H DWN 94	
						93	
						92	
1	1	1	-	A	1-21002-7	SCR, BHC (6-32x.38) CAM 91	
						90	
1	1	1	-	A	7-21000-9	SCR, SHC (4-40x.19) STRIPPER 89	
						88	
2	2	2	-	A	2-21000-7	SCR, SHC (8-32x.48) DEP-HOLD 87	
1	1	1	-	A	2-22603-0	SCR, HEX HD (8-32x.31) FEED FINGER 86	
2	2	2	-	A	1-21000-3	SCR, SHC (4-40x.25) F ST GUIDE 85	
1	1	1	-	A	2-21000-7	SCR, SHC (8-32x.50) STRIPPER 84	
REF	REF	REF	-	A	3-21000-7	SCR, SHC (10-32x.75) FEED ROD GD 83	
REF	REF	REF	-	A	3-21000-6	SCR, SHC (10-32x.62) FD ADJ BLK 82	
1	1	1	-	A	3-21000-4	SCR, SHC (10-32x.38) 56 ADJ BL 81	
REF	REF	REF	-	A	3-21000-4	SCR, SHC (10-32x.38) PIVOT BLK 80	
-	REF	-	-	B	455749-1	GUARD, WINDOW 79	
REF	-	-	-	B	679532-1	INSERT, GUARD 78	
						77	
						76	
						75	
						74	
						73	
REF	REF	REF	-	A	458109-1	WASHER, SPECIAL 72	
REF	REF	REF	-	A	690517-1	SPACER 71	
-3	-2	-1	U/M	DWG SIZE	PART NO	DESCRIPTION	ITEM NO
QTY REOD PER ASSY		PARTS LIST					

LEADMAKER		MECH POST FEED					
-1	BENCH MODEL K	MECH PRE FEED					
-2	BENCH MODEL G	MECH PRE FEED					
-3	BENCH MODEL G	MECH PRE FEED					
REF	REF	REF	-	B	22594-8	NUT, HEX (1/2-20)	70
REF	REF	REF	-	B	240628-1	PLATE, ADJUSTMENT	69
REF	REF	REF	-	B	240626-1	SHAFT, PIVOT	68
REF	REF	REF	-	B	240633-1	BUSHING	67
REF	REF	REF	-	A	455680-1	LEVER, INTERMEDIATE	66
REF	REF	REF	-	B	240629-1	BLOCK, PIVOT	65
REF	REF	REF	-	A	240632-2	SCREW, ADJ FEED ROD	64
REF	REF	REF	-	B	240659-3	PIN, CAM ROLLER	63
REF	REF	REF	-	B	240658-1	ROLLER, CAM	62
REF	REF	REF	-	B	454398-2	ROD, FEED	61
REF	REF	REF	-	A	454178-1	GUIDE, FEED ROD	60
REF	REF	REF	-	C	454220-1	CAP, RAM	59
REF	REF	REF	-	D	454485-1	HOUSING	58
							57
1	1	1	-	B	690542-2	PAWL, FEED	56
REF	REF	REF	-	B	240624-1	PIN, FEED FINGER	55
REF	REF	REF	-	B	691499-1	SPRING, FEED FINGER	54
REF	REF	REF	-	B	690541-1	HOLDER, FEED FINGER	53
REF	REF	REF	-	A	455679-1	LEVER, TERMINAL FEED ARM	52
1	1	1	-	A	811242-2	BUMPER, HOLDDOWN	51
1	1	1	-	A	690753-1	SPACER, TONKER	50
1	-	-	-	B	690602-6	CAM, PRE-FEED 1 5/8 ST	49
-	1	-	-	B	690602-5	CAM, PRE-FEED 1 1/8 ST	48
-	-	1	-	B	690501-4	CAM, POST-FEED 1 5/8 ST	47
1	1	1	-	B	459456-1	APPLICATOR, BASIC (SUBASSY)	46
1	1	1	-	A	690191-1	PLUG, NYLON	45
1	1	1	-	C	455673-1	RAM	44
1	1	1	-	A	690125-1	WASHER, LAMINATED	43
1	1	1	-	A	690124-1	WASHER, RAM	42
1	1	1	-	A	7-21002-9	BOLT, CRIMPER (5/16x1.00)	41
							40
							39
1	1	1	-	A	690223-2	SPACER, INSULATION DISC	38
1	1	1	-	D	354777-1	WIRE DISC, PLASTIC	37
1	1	1	-	A	22480-5	WASHER, SPRING	36
1	1	1	-	A	690212-1	POST, RAM	35
1	1	1	-	B	690786-2	SUPPORT, TERMINAL	34
REF	REF	REF	-	D	455675-1	PLATE, BASE	33
1	1	1	-	A	690432-3	SCREW, ADJUSTMENT	32
							31
REF	REF	REF	-	B	455689-1	BLOCK, STRIP GUIDE ADJ	30
1	1	1	-	C	455671-1	PLATE, STRIP GUIDE	29
1	1	1	-	C	2-455888-8	SPACER, FRONT SHEAR DEP	28
2	2	2	-	A	1-22284-0	SPRING, DRAG	27
1	1	1	-	B	690546-1	LEVER, DRAG RELEASE	26
1	1	1	-	B	240792-1	DRAG, TERMINAL	25
1	1	1	-	D	690440-6	GUIDE, STRIP (REAR)	24
1	1	1	-	A	690438-1	GUIDE, STRIP (FRONT)	23
-	-	1	-	B	690472-2	STRIPPER	22
REF	REF	REF	-	A	4-22284-9	SPRING, FEED RETURN	21
1	1	1	-	A	679218-1	STRIPPER WIRE STOP ASSY	20
1	1	1	-	B	458949-1	STRIPPER	19
							18
							17
1	1	1	-	B	318563-2	GUARD, CHIP, FRONT	16
							15
							14
							13
1	1	1	-	A	5-22280-0	SPRING, SHEAR	12
1	1	1	-	B	690461-1	STOP, SHEAR	11
1	1	1	-	C	690459-9	HOLDER, SHEAR (FRONT)	10
1	1	1	-	C	454276-4	SHEAR, FLOAT (FRONT)	9
1	1	1	-	B	356599-1	ANVIL	8
							7
							6
1	1	1	-	C	3-455889-3	DEPRESSOR, SHEAR (FRONT)	5
							4
							3
							2
1	1	1	-	C	2-456408-9	CRIMPER, WIRE	1
-3	-2	-1	U/M	DWG SIZE	PART NO	DESCRIPTION	ITEM NO
QTY REOD PER ASSY		PARTS LIST					

DIMENSIONS IN INCHES. DO NOT SCALE PRINT. TOLERANCES UNLESS OTHERWISE SPECIFIED:		MATERIAL		FINISH	
2 PLC DEC ±					
3 PLC DEC ±					
4 PLC DEC ±					
ANGLES ±					
SURF TEXTURE:					
REMOVE BURRS, BREAK SHARP EDGES R.015 MAX					
DR M. OBRINE	19JUN96	APP T. ELBIN	6-19-96		
CHK 6-19-96		REL			
C. ERISMAN					
NAME		SCALE		SHEET	
SIDE FEED HDM APPLICATOR		D		1 OF 1	
MACHINE REF		DWG NO		REV	
MINI APPL		680325		C1	