

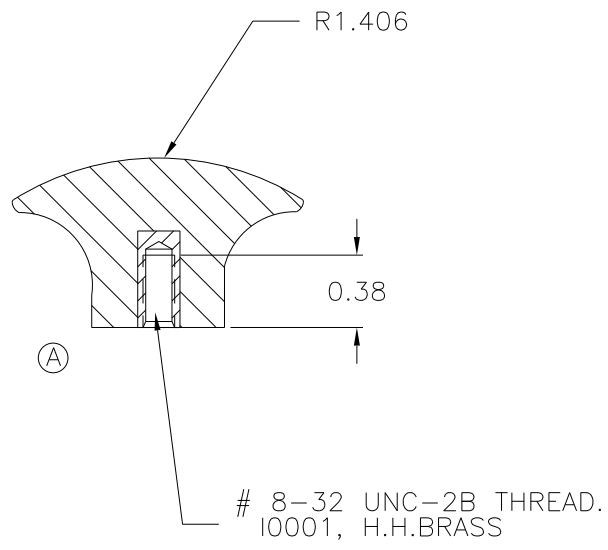
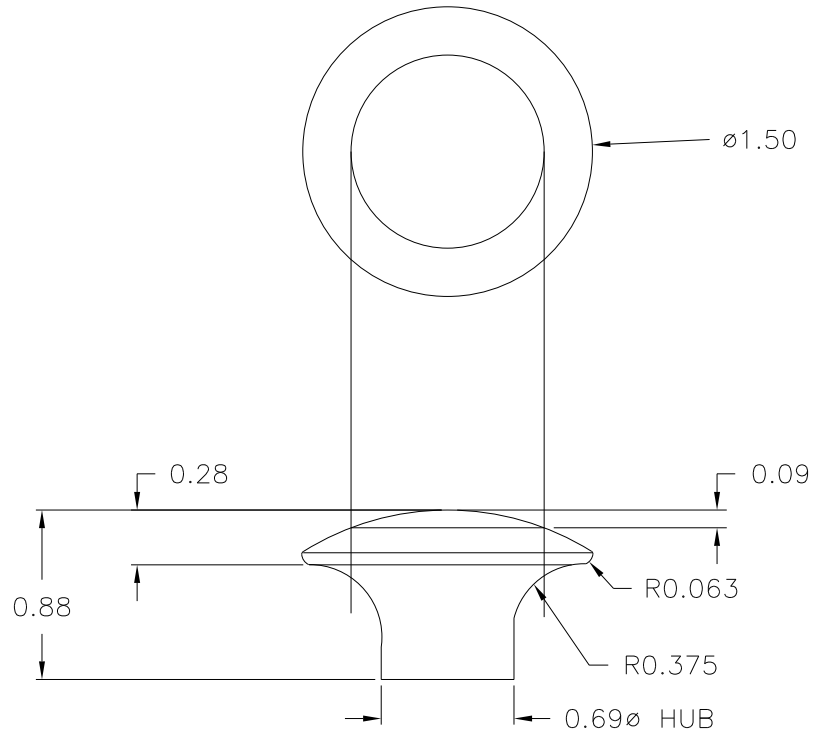
PART NAME: KNOB SCALE: 1:1 DATE: 12/26/40 DR. BY JWC

THIS DRAWING IS THE PROPERTY OF DAVIES MOLDING COMPANY, IS SUBMITTED SOLELY AS A DESIGN OR ENGINEERING PROJECT. WE ACCEPT NO RESPONSIBILITY WHATSOEVER FOR THE PRACTICAL APPLICATION OF THE PIECES MADE TO THIS DESIGN.



DESIGNERS & MANUFACTURERS OF KNOBS, HANDLES, CASES & CUSTOM PLASTIC COMPONENTS

P/N 3006-C	
M NO. 3006	
PIN	3006-C
SHIMS	# 1
TOP PLUNGER	3006
INSERT	10001



MATERIAL: G.P. PHENOLIC (B11)
COLOR: BLACK

TOLERANCES: UNLESS OTHERWISE SPECIFIED		DO NOT SCALE DRAWING			
DECIMALS: X.XXX ± .005 X.XX ± .015		MM: X.XX ± 0.15MM X.X ± 0.4MM		-	CAD/REDRAWN HD 6/26/97
FRACTIONS ± 1/64		ANG. ± 1°		A	.500ø X .010 DEEP C'B DELETED HD 9/9/83
CHANGES					