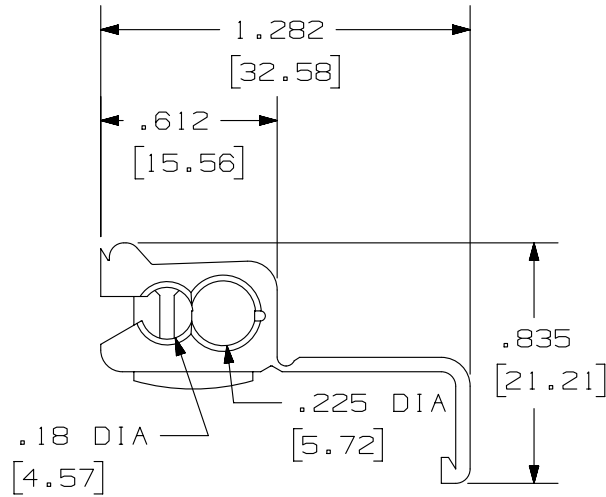
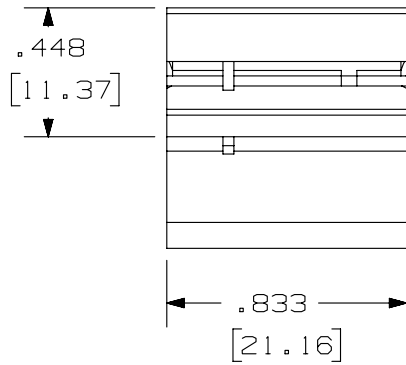


THIS COPY IS PROVIDED ON A RESTRICTED BASIS AND IS NOT TO BE USED IN ANY WAY DETRIMENTAL TO THE INTERESTS OF PANDUIT CORP.

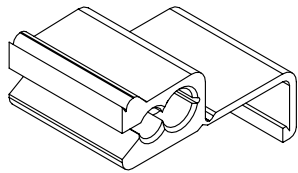


TERMINATION CLIP
RIGHT VIEW
SCALE 1.5:1

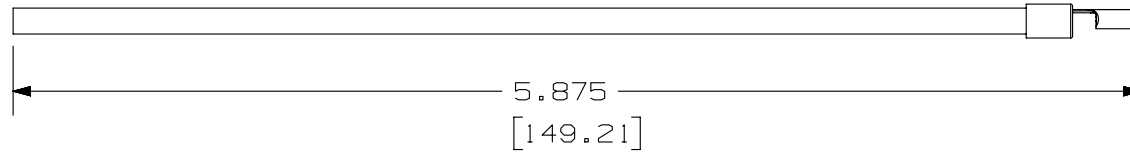
PANDUIT P/N	WEIGHT
CJSGK-XY	.216 LB/10 PCS (98 g/10 PCS)

NOTES:

1. SPLICE TERMINALS ARE CAPABLE OF TERMINATING 10-12 AWG WIRE
2. DIMENSIONS IN BRACKETS ARE IN METRIC.
3. MATERIALS/COLORS:
CLIP:
INSULATOR: POLYPROPYLENE (UL94-V2) YELLOW
CONTACT: TIN PLATED PHOS. BRONZE
CONNECTOR: TIN PLATED BRASS
WIRE: COPPER, PVC INSULATED, GREEN/YELLOW
4. SPLICE TERMINALS SHALL BE ABLE TO TERMINATE 10-12 AWG WIRE



TERMINATION CLIP
ACTUAL SIZE



GROUND WIRE AND CONNECTOR

PART NUMBER		CJSGK-XY	
TITLE			
GROUNDING KIT FOR TX STYLE MODULES		CUSTOMER DRAWING	
ITEM REVISION NAME		M02479KT/01	
DATASET FILE NAME		M02479KT_DC281/01C	
UNLESS OTHERWISE SPECIFIED, DIMENSIONAL TOLERANCES ARE: IN [mm]		MATERIAL:	
.x ± .xxx ± .010 [.3]		SEE NOTE 3	
.xx ± .03 [.8] ANGLES ±		DRAWING NUMBER:	
02479-281		02479-281	
DRAWN BY	DATE	CHK	SCALE
NER	3-21-06	WJC	NONE
SHT 1 OF 1		SIZE	
A		A	

REV	DATE	BY	CHK	APR	DESCRIPTION	ECN
4	5-22-14	MDJR	REFR	EJH	A. UPDATED TITLE BLOCK. REMOVED PREVIOUS REVISIONS FOR CLARITY.	02479-281

D101000DA/14

2

1

2

1