



PRODUCT SPECIFICATION

SPEC. No: _____

Attn: _____

DATE: _____

CUSTOMER PRODUCT NAME:
TDK PRODUCT NAME: WT505090-20K2-A10-**
APPROVED BY:
CUSTOMER COMMENT:
REMARK: Please sign back specification after customer conformation until 2weeks. If customer can't sign back specification, customer should be approved TDK specification.

TDK Corporation

Head Office Address:

3-9-1, Shibaura, Minato-ku, Tokyo

108-0023 , Japan

SALES

MANAGER	SALES

ENGINEERING

APPROVED	CHECKED	ISSUED

Sales Office _____

Sales Tel. _____

PRODUCT	
---------	--

REVISED HISTORY

CUSTOMER PRODUCT NAME: _____

TDK PRODUCT NAME: **WT505090-20K2-A10-****

NO.	REV.	REVISED CONTENT	REVISED REASON	DATE
1	0	To establish specification		2013.09.04
2	1	1.Revised "Adhesives tape + glue" to glue for keeping coil wire. 2.Change package method from PET tray108pcs to Paper tray195pcs.		2015.12.04

PRODUCT SPECIFICATION

TDK PRODUCT NAME:

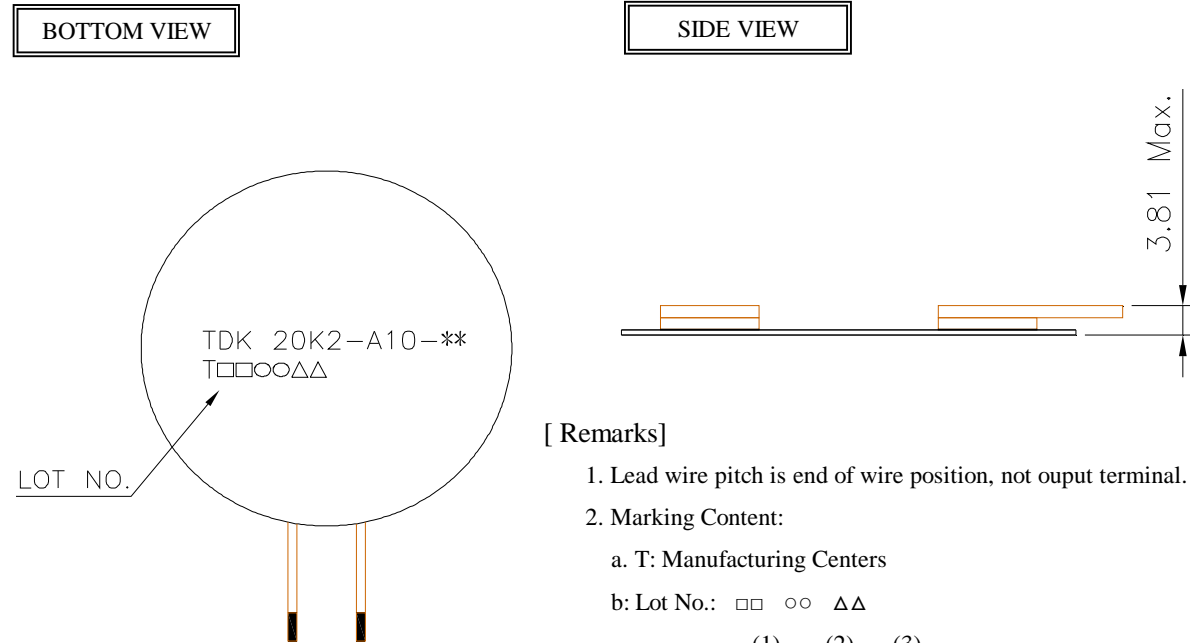
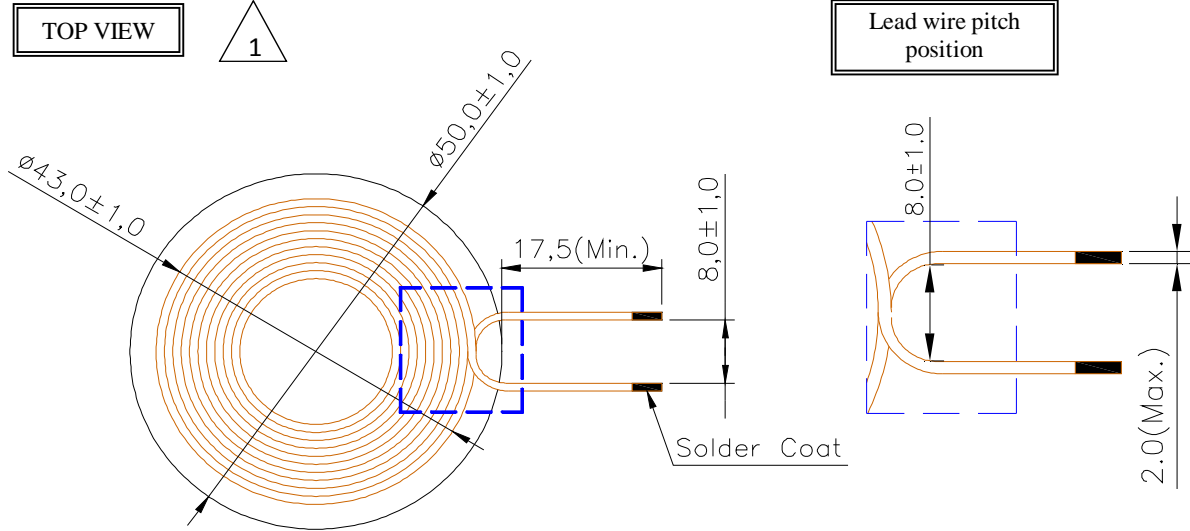
WT505090-20K2-A10-**

SPEC. NO.

CUSTOMER PRODUCT NAME:

(1) Apperance & Dimensions (Unit: mm)

Weight: 19.3 g (Typ.)



[Remarks]

1. Lead wire pitch is end of wire position, not ouput terminal.
2. Marking Content:
 - a. T: Manufacturing Centers
 - b. Lot No.: □□ ○○ △△
 - (1) (2) (3)
 - (1) Year: A.D. end number in double
 - (2) Month: Jan.(1), Feb.(02)...Dec.(12)
 - (3) Day: 01,02,03,...31.

PRODUCT SPECIFICATION

TDK PRODUCT NAME: WT505090-20K2-A10-**	SPEC. NO.	CUSTOMER PRODUCT NAME:
--	-----------	------------------------

(2) Air coil specification

Wire Diameter: $\phi 0.08\text{mm} \times 105$ (Type2 Wire)

Coil Turns: 20TS (10Ts / 1 layer, Total 2 layers)

(3) Electrical Characteristics

No.	Parameter	Specification	Test Instrument
1	Inductance	$24 \mu\text{H} \pm 10\%$	HP 4284A DIGITAL LCR METER or EQUIVALENT (@100kHz 1.0 Vrms)
2	Q Value	80 (Min.)	HP 4284A DIGITAL LCR METER or EQUIVALENT (@100kHz 1.0 Vrms)
3	DC Resistance	0.1Ω (Max.) (At 25°C)	CHEN HWA 502A OHM METER or EQUIVALENT

(4) Temperature Characteristics

No.	Parameter	Specification
1	Operating Temperature	$-30 \sim 70^\circ\text{C}$
2	Storage Temperature	$-40 \sim 85^\circ\text{C}$

(5) Application

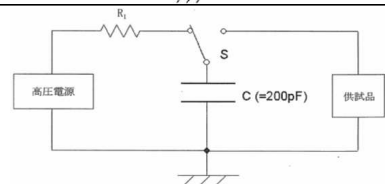
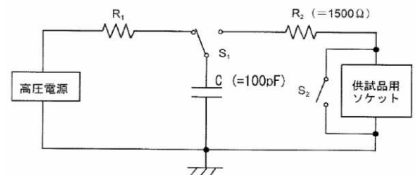
1. The product fit in with RoHS rule.
2. The product fit in with Halogen-Free.
3. Reflow and dip-flow soldering can not used for this product.

PRODUCT SPECIFICATION

TDK PRODUCT NAME: WT505090-20K2-A10-**	SPEC. NO.	CUSTOMER PRODUCT NAME:
--	-----------	------------------------

(6) Reliability Conditions

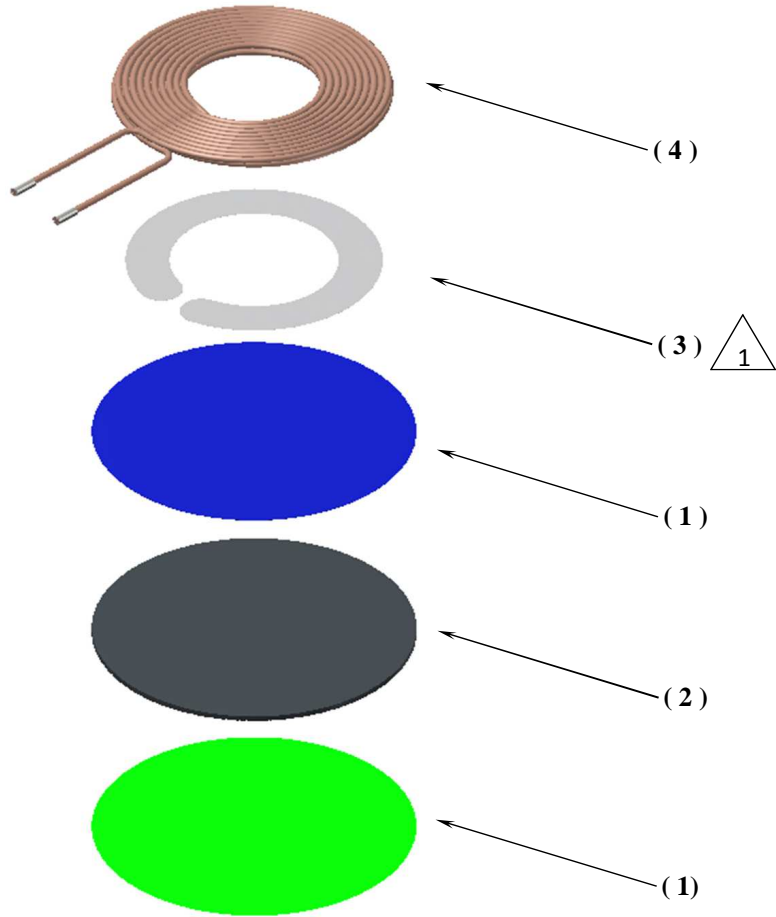
No.	Parameter	Conditions
1	Low Temperature (Storage)	(1) Temperature : $-40\pm 2^{\circ}\text{C}$ (2) Time : 240Hrs
2	High Temperature (Storage)	(1) Temperature : $+85\pm 2^{\circ}\text{C}$ (2) Time : 240Hrs
3	Thermal Shock	(1) Temperature : $-40\pm 5^{\circ}\text{C} / 30\text{min} \sim +85\pm 5^{\circ}\text{C} / 30\text{min}$ (2) Ambient Time : 5min (3) Times : 100cycles
4	Vibration	Unpacked: (1)frequency:10~500Hz sweep 1 octave wave / 1 min (2)Amplitude:1.5mm (p-p) or 10G (3)Direction:X.Y.Z. direction (4)Time:X.Y.Z for 2 hours each.
5	Temperature / Humidity (Storage)	(1) Temperature : $+60\pm 2^{\circ}\text{C}$ (2) Humidity: 90% RH. (3) Time: 240Hrs
6	Temperature / Humidity (OP)	(1) Temperature : $+60\pm 2^{\circ}\text{C}$ (2) Humidity: 90% RH. (3) Time: 240Hrs (4) Current: DC 1.0A (5) Frequency: 100kHz
7	Package Drop	(1) Drop the sample package in a carton box. (2) Height : 100 cm (3) Direction :1corner,3 edges, 6 faces (4) Drop time : 16 times
8	ESD(HBM)	(1) Test Voltage: 1000V (2) Ambient: $25\pm 5^{\circ}\text{C}$ (3) Time: Negative / Positive each 1 time (4) Resistance: 1500 Ω (5) Capacitance: 100pF
9	ESD(MM)	(1) Test Voltage: 100V (2) Ambient: $25\pm 5^{\circ}\text{C}$ (3) Time: Negative / Positive each 1 time (4) Capacitance: 200pF



PRODUCT SPECIFICATION

TDK PRODUCT NAME: WT505090-20K2-A10-**	SPEC. NO.	CUSTOMER PRODUCT NAME:
--	-----------	------------------------

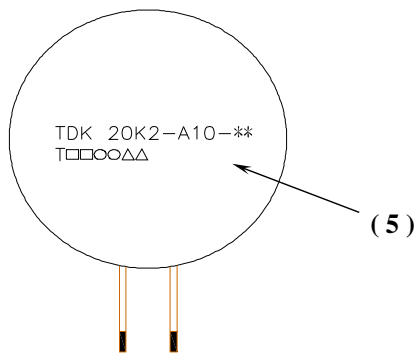
(7) Construction



(8) Material List



No.	Material Name
1	PET Tape
2	Ferrite Sheet
3	Glue
4	Air Coil
5	Ink



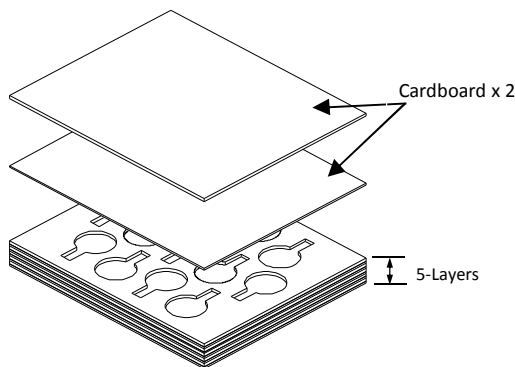
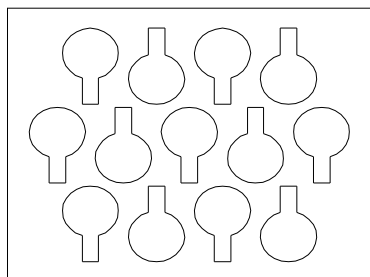
PRODUCT SPECIFICATION

TDK PRODUCT NAME: WT505090-20K2-A10-**	SPEC. NO.	CUSTOMER PRODUCT NAME:
--	-----------	------------------------

(9) Packing



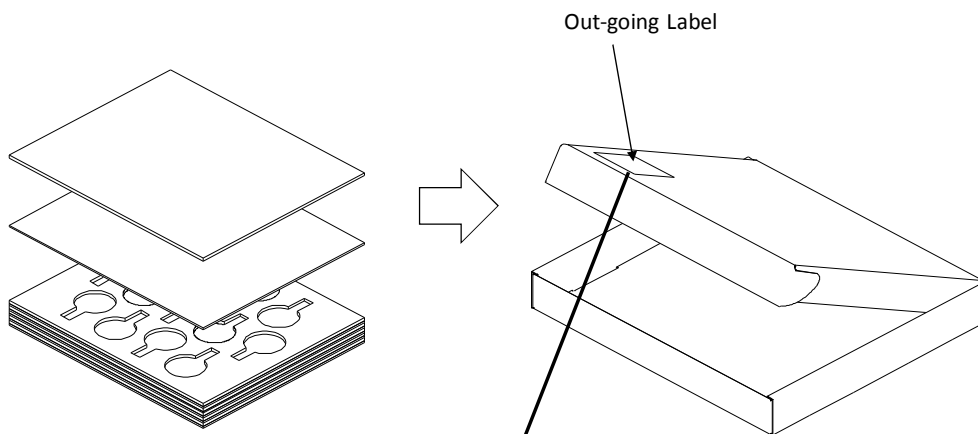
- To stack the paper trays onto 5 Layers:
 - Cardboard dimension: 331*275*5mm (REF.)
 - Cardboard dimension: 331*275*3mm (REF.)
 - Paper tray dimension: 331*275*8mm (REF.)
 - 13 Pcs / per Cardboard tray



Total : 13x5=65pcs

- To put 5 paper trays of products into the small Carton and affixing the out-going label on the outside .

- Small carton dimension: 331*275*46mm (REF.)
- 5 paper trays / per small carton.



Out-going Label

PRODUCT SPECIFICATION

TDK PRODUCT NAME:

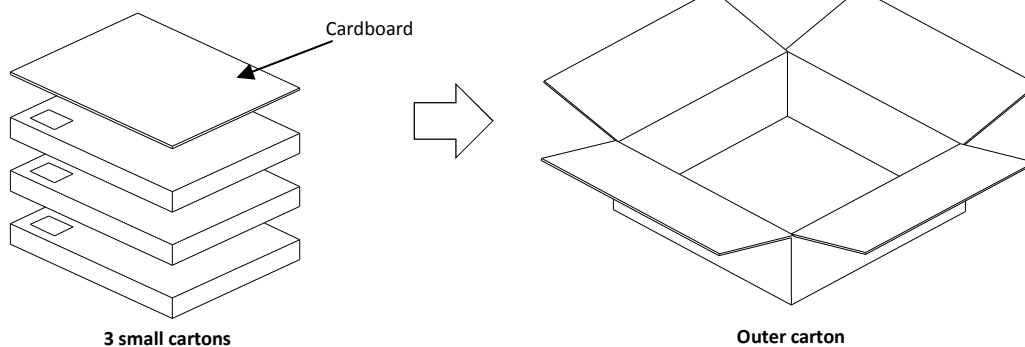
WT505090-20K2-A10-**

SPEC. NO.

CUSTOMER PRODUCT NAME:

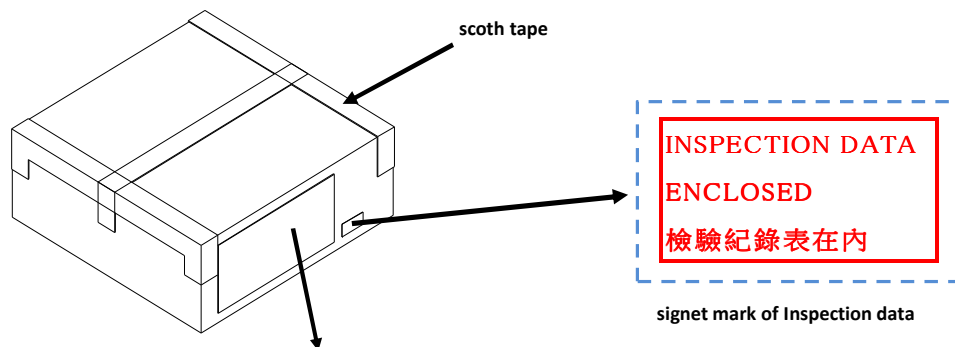
3. To put 3 small carton and 1 Cardboard into the Carton .

- Outer carton dimension: 373*297*179mm (REF.)
- Cardboard dimension: 350*285*5mm (REF.)
- 3 small cartons / per outer carton
- Total quantity : 195 Pcs



4. Packing.

- To pack the carton by scotch tape and affix out-going label (outside) on it outside.
- The Inspection data in the box , there would be a signet mark on it outside.



(3S) TTW+WL11K0600200101400000360		CUSTOMER: <u>Customer</u>	
		CUST. PART NO(P): <u>12A34567-89A</u>	
(6S) C/NO:1	BOX COUNT		
	<u>001/009</u>	TDK ITEM CODE(6P): <u>TTXDF12345TWN</u>	
SHIPPING MARK		ROHS	
SAMPLE		P/O NO.(K): <u>TTTT-S123456789</u>	
Customer			
Location		LOT NO.(IT): <u>WL12345678</u>	DATE: <u>Nov.22.2011</u>
MADE IN TAIWAN		QTY(Q): <u>195</u>	
WL12K34567		TDK ITEM (IP): <u>WT505090-20K2-A10-**</u>	
12345A6789			
		(WT505090-20K2-A10-**)	
C/NO:1		SUB P/O NO.(6K): <u>4500059424</u>	
WAREHOUSE			
NW	3.6	TDK SPEC.	
GW	4.0	TDK TAIWAN CORPORATION	
(CT)		YANGMEI, TAIWAN	9
		TTXDF10105	

out-going label (outside)

REMINDERS

Please read this before using the product.



REMINDERS

1. We may modify products or discontinue production of a product listed in this catalog without prior notification.
2. We provide "Delivery Specification" that explain precautions for the specifications and safety of each product listed in this catalog.
We strongly recommend that you exchange these delivery specifications with customers that use one of these products.
3. If you plan to export a product listed in this catalog, keep in mind that it may be a restricted item according to the "Foreign Exchange and Foreign Trade Control Law". In such cases, it is necessary to acquire export permission in harmony with this law.
4. Any reproduction or transferring of the contents of this catalog is prohibited without prior permission from our company.
5. We are not responsible for problems that occur related to the intellectual property rights or other rights of our company or a third party when you use a product listed in this catalog. We do not grant license of these rights.
6. This catalog only applies to products purchased through our company or one of our company's official agencies. This catalog does not apply to products that are purchased through other third parties.
7. The products listed on this catalog are intended for use in general electronic equipment (AV equipment, telecommunications equipment, home appliances, amusement equipment, computer equipment, personal equipment, office equipment, measurement equipment, industrial robots) under a normal operation and use condition.

The products are not designed or warranted to meet the requirements of the applications listed below, whose performance and/or quality require a more stringent level of safety or reliability, or whose failure, malfunction or trouble could cause serious damage to society, person or property.

If you intend to use the products in the applications listed below or if you have special requirements exceeding the range or conditions set forth in the each catalog, please contact us.

- (1) Aerospace/Aviation equipment
- (2) Transportation equipment (cars, electric trains, ships, etc.)
- (3) Medical equipment
- (4) Power-generation control equipment
- (5) Atomic energy-related equipment
- (6) Seabed equipment
- (7) Transportation control equipment
- (8) Public information-processing equipment
- (9) Military equipment
- (10) Electric heating apparatus, burning equipment
- (11) Disaster prevention/crime prevention equipment
- (12) Safety equipment
- (13) Other applications that are not considered general-purpose applications

When designing your equipment even for general-purpose applications, you are kindly requested to take into consideration securing protection circuit/device or providing backup circuits in your equipment.