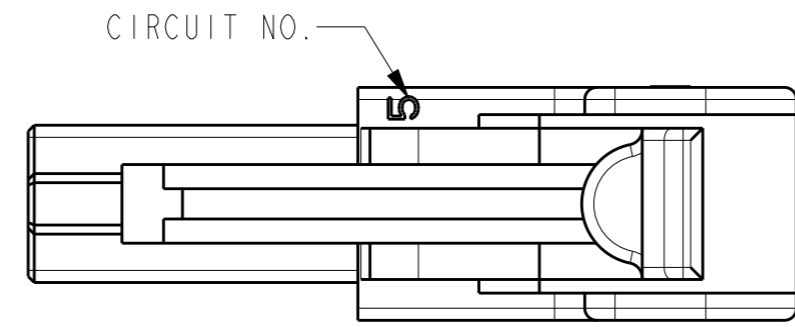
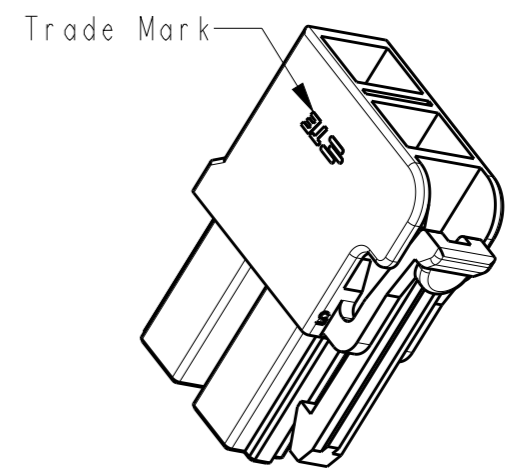
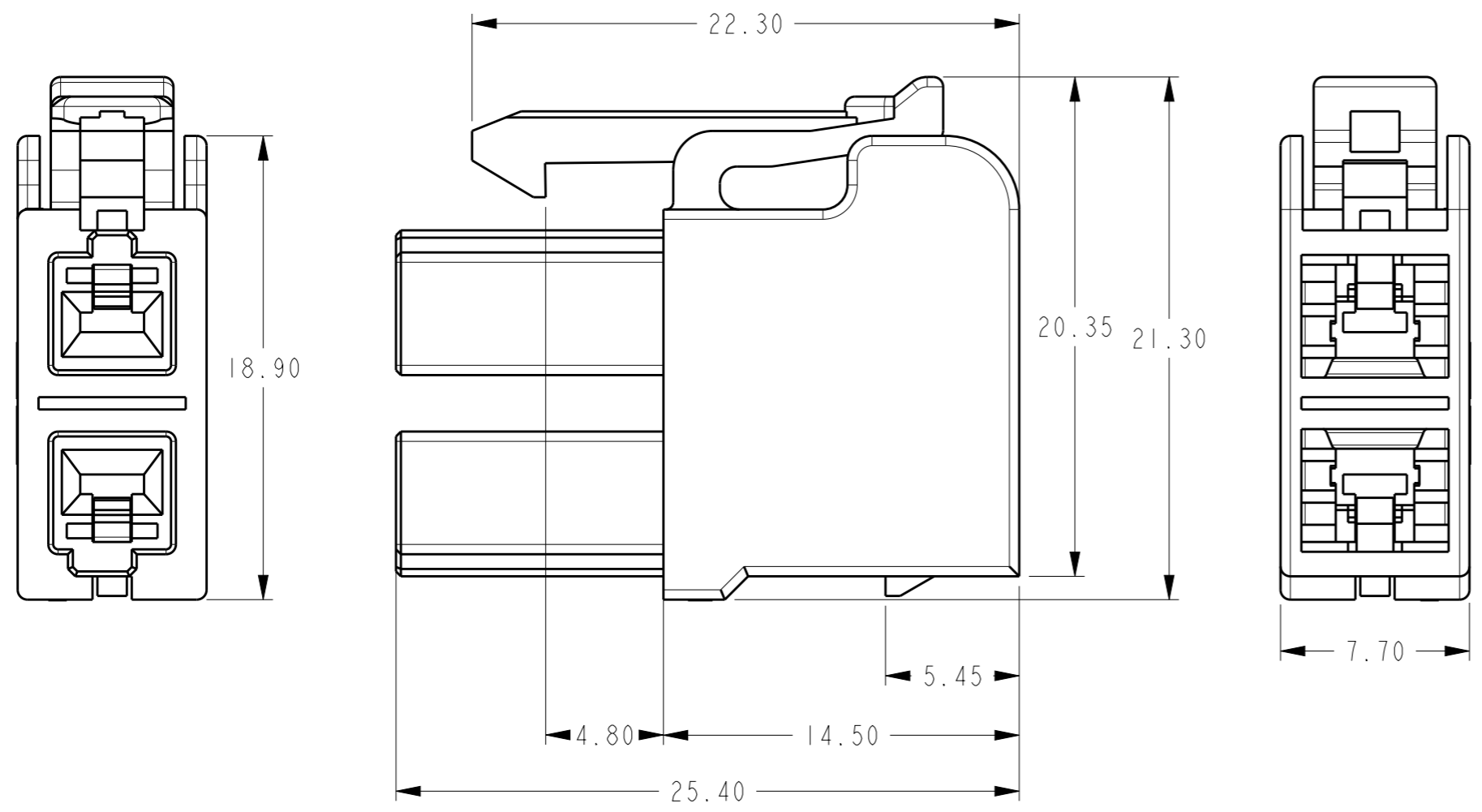


THIS DRAWING IS UNPUBLISHED. RELEASED FOR PUBLICATION 20  
 © COPYRIGHT 20 BY - ALL RIGHTS RESERVED.

LOC	DIST	REVISIONS					
		P	LTR	DESCRIPTION	DATE	DWN	APVD
-	-		A	RELEASE	19AUG2011	R.C	E.K
			AI	ADD "GWT REQUIREMENTS" IN NOTE 6.	11OCT2012	D.Z	YH.M



- NOTE**
- MATERIAL: THERMOPLASTIC, UL94 V-0  
COLOR: NATURAL
  - PRODUCT SPEC: 108-106071
  - APPLICABLE CONTACT P/N:  
REC CONTACT: 1983663/4-1
  - MATING CONN. P/N:  
HSG: 1983658-1
  - APPLICABLE DOUBLE LOCK PLATE P/N: 1983665-1
  - PRODUCT COMPLY WITH GLOW WIRE REQUIREMENTS FOR PARTS OF NON-METALLIC MATERIAL SUPPORTING A CURRENT-CARRYING CONNECTION DETAILED IN IEC 60335-1, SECTION 30 (GWT).



PART NUMBER 1983660-1

THIS DRAWING IS A CONTROLLED DOCUMENT.		DWN 19AUG2011 RICHARD CHEN	TE Connectivity	
DIMENSIONS: mm		CHK 19AUG2011 HAPYE WU		
TOLERANCES UNLESS OTHERWISE SPECIFIED:		APVD 19AUG2011 ERIC KONG	NAME 2P HOUSING MULTI 6P CONNECTOR	
0 PLC ±- 1 PLC ±- 2 PLC ±0.30 3 PLC ±- 4 PLC ±- ANGLES ±2°		PRODUCT SPEC 108-106071	RESTRICTED TO	
MATERIAL -		APPLICATION SPEC 114-106071	SIZE A3	CAGE CODE 00779
FINISH -		WEIGHT -	DRAWING NO C=1983660	
		CUSTOMER DRAWING	SCALE N/A	SHEET 1 OF 1
			REV AI	