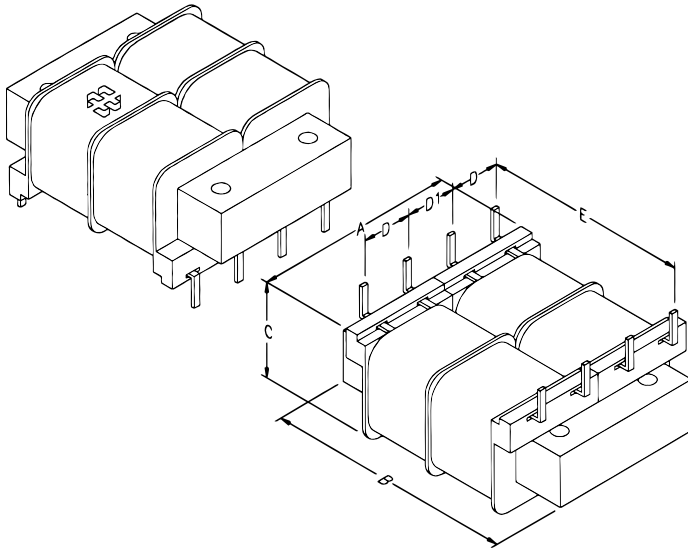




Power Transformer - Dual Primary Low Voltage PC Board Mount - Low Profile

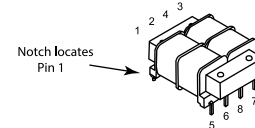


Features

- Low profile mounting, dual - split bobbin design.
- Low primary to secondary coupling, balanced windings, no electrostatic shield required and low EMF radiation due to semi-toroidal design.
- Universal dual primary 115/230V - 50/60 Hz.
- High insulation - Hipot of 1,750V RMS.
- Class B insulation - 130 degrees C.
- C UL US recognized.

Connection Information - 229 Series Transformers

| Mechanical | |
|--------------------------|-----------------------------|
| A | 2.50" (64 mm) |
| B | 3.12" (79 mm) |
| C | 1.38" (35 mm) |
| D | 0.60" (15 mm) |
| D1 | 0.66" (17 mm) |
| E | 2.18" (55 mm) |
| PC Board Spacing | 1.50" (38 mm) |
| Pin Size | 0.04" x 0.04" (1 mm x 1 mm) |
| Electrical | |
| Size (VA) | 48 |
| Primary | 115 /230V, 50 /60Hz |
| Secondary (RMS) Series | 12.6V C.T. @ 3.8A |
| Secondary (RMS) Parallel | 6.3V @ 7.6A |
| Regulation | 15% |



Primary Connections - 229 Series Transformers



Secondary Connections - 229 Series Transformers

