

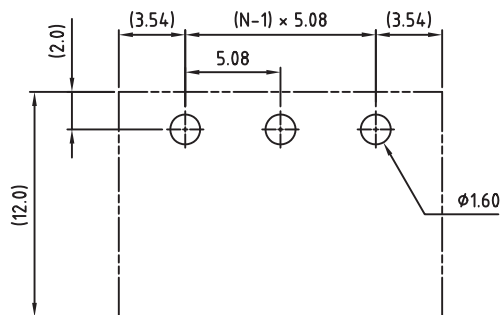
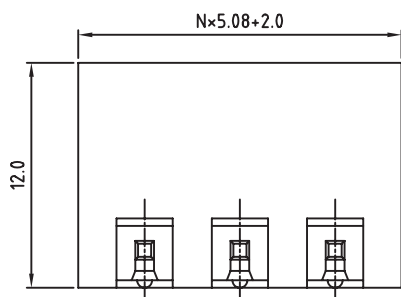
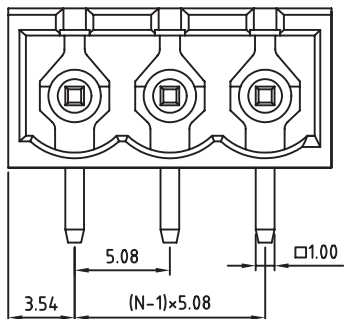
1

2

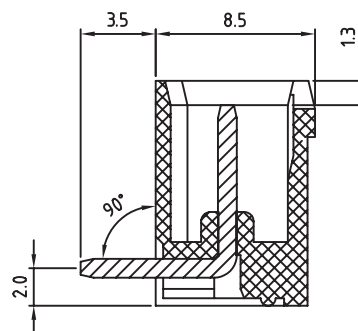
3

4

5



PCB LAYOUT - COMPONENT VIEW



## TECHNICAL CHARACTERISTICS

## MATERIAL

INSULATOR: PBT  
 FLAMABILITY RATING: UL94-V0  
 COLOR: GREEN  
 CONTACT PIN: BRASS (CuZn)  
 SOLDER TAIL PLATING: TIN

## ENVIRONMENTAL

OPERATING TEMPERATURE: -40 UP TO 105°C  
 COMPLIANCE: LEAD FREE AND ROHS

## ELECTRICAL

|                       | cULus       | VDE    |
|-----------------------|-------------|--------|
| CURRENT RATING:       | 20A         | 20A    |
| WORKING VOLTAGE:      | 300VAC      | 300VAC |
| WITHSTANDING VOLTAGE: | 1.6KV       | 2.5KV  |
| CONTACT RESISTANCE:   | 20 mOhm MAX |        |

## STANDARD

CERTIFIED E315414 / MODEL NUMBER 313  
 CERTIFIED 40023195 / MODEL NUMBER 313

## MECHANICAL

PITCH: 5.08MM

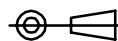
SOLDERING: WAVE PROCESS ONLY

PACKAGING: BOX

SERIE 313

RoHS Compliant

PROJECTION:



GENERAL TOLERANCE

.X =  $\pm 0.2$ .XX =  $\pm 0.15$ 

APPROVAL: RJ

UNIT: MM

SCALE:

SHEET: 1/1

DRAW: MARVIN

DESCRIPTION: SERIE 313 - 5.08MM CLOSE HORIZONTAL PCB HEADER  
 WR-TBL

WERI PART NO: 691 313 510 0xx

SIZE

**A4**

|     |           |                 |    |
|-----|-----------|-----------------|----|
| G   |           |                 |    |
| F   |           |                 |    |
| E   |           |                 |    |
| D   |           |                 |    |
| C   | 13-OCT-09 | STANDARD        | JP |
| B   | 29-OCT-08 | CHARACTERISTICS | JP |
| A   | 31-OCT-07 | PDF             | EC |
| REV | DATE      | FILE            | BY |