

## Protocol converter - GW PL HART8-BUS - 2702235

Please be informed that the data shown in this PDF Document is generated from our Online Catalog. Please find the complete data in the user's documentation. Our General Terms of Use for Downloads are valid (<http://phoenixcontact.com/download>)



Eight-channel HART<sup>®</sup> expansion module, with screw connection

### Key Commercial Data

Packing unit	1 STK
Weight per Piece (excluding packing)	1.000 g
Custom tariff number	85176200
Country of origin	Germany

### Technical data

#### Dimensions

Width	45 mm
Height	114.5 mm
Depth	99 mm

#### Ambient conditions

Ambient temperature (operation)	-40 °C ... 70 °C
	-40 °F ... 158 °F
Ambient temperature (storage/transport)	-40 °C ... 85 °C
Degree of protection	IP20

#### General

Test voltage data interfaces	500 V AC
Test voltage data interface/power supply	500 V AC
Electromagnetic compatibility	Conformance with EMC Directive 2004/108/EC
Mounting position	any
Assembly instructions	on standard DIN rail NS 35 in accordance with EN 60715
Net weight	310 g
Color	gray

#### Power supply

# Protocol converter - GW PL HART8-BUS - 2702235

## Technical data

### Power supply

Supply voltage range	19.2 V DC ... 30 V DC (supplied from the bus)
Typical current consumption	58 mA (at 24 V DC)

### Serial interface

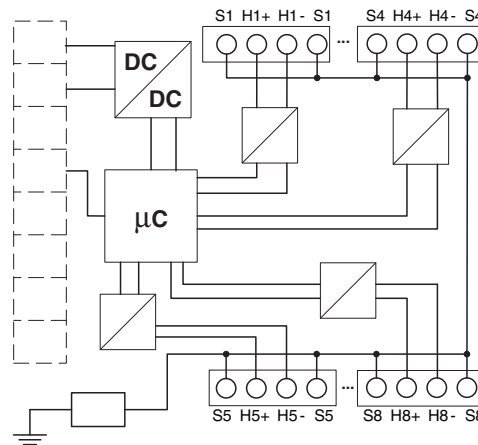
Interface 1	HART FSK
Interface	Analog
No. of channels	8
Connection method	Screw connection

### Standards and Regulations

Electromagnetic compatibility	Conformance with EMC Directive 2004/108/EC
-------------------------------	--

## Drawings

Block diagram



## Classifications

### eCl@ss

eCl@ss 5.1	27242208
eCl@ss 8.0	27242208
eCl@ss 9.0	27242208

### ETIM

ETIM 5.0	EC001423
----------	----------

## Protocol converter - GW PL HART8-BUS - 2702235

### Approvals

#### Approvals

---

##### Approvals

UL Listed / cUL Listed / cULus Listed


---


##### Ex Approvals

UL Listed / cUL Listed / cULus Listed

---

### Approval details

UL Listed  <http://database.ul.com/cgi-bin/XYV/template/LISEXT/1FRAME/index.htm> FILE E 238705

cUL Listed  <http://database.ul.com/cgi-bin/XYV/template/LISEXT/1FRAME/index.htm> FILE E 238705

cULus Listed 

### Accessories

#### Accessories

#### Gateways/Proxies

#### Ethernet HART multiplexer - GW PL ETH/UNI-BUS - 2702233



Modular gateway Ethernet head station with Modbus TCP, PROFINET, HART IP, FDT/DTM. Supports five expansion modules.

---

## Protocol converter - GW PL HART8-BUS - 2702235

### Accessories

Ethernet HART multiplexer - GW PL ETH/BASIC-BUS - 2702321



Modular gateway Ethernet head station with Modbus TCP, HART IP, FDT/DTM. Supports five expansion modules.

---

### I/O component

Protocol converter - GW PL HART8-BUS - 2702235



Eight-channel HART® expansion module, with screw connection

---

Protocol converter - GW PL HART8+AI-BUS - 2702236



Eight-channel HART® expansion module with analog loop supply and screw connection

---

Protocol converter - GW PL DIO4-BUS - 2702237



Four-channel digital input and four-channel digital output module with screw connection

---

### Necessary add-on products

Ethernet HART multiplexer - GW PL ETH/UNI-BUS - 2702233



Modular gateway Ethernet head station with Modbus TCP, PROFINET, HART IP, FDT/DTM. Supports five expansion modules.

## Protocol converter - GW PL HART8-BUS - 2702235

### Accessories

---

Ethernet HART multiplexer - GW PL ETH/BASIC-BUS - 2702321



Modular gateway Ethernet head station with Modbus TCP, HART IP, FDT/DTM. Supports five expansion modules.

---

---