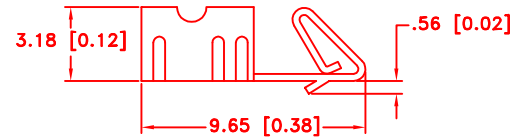
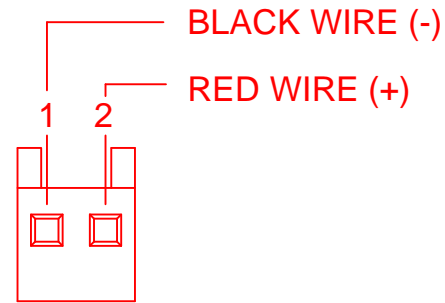
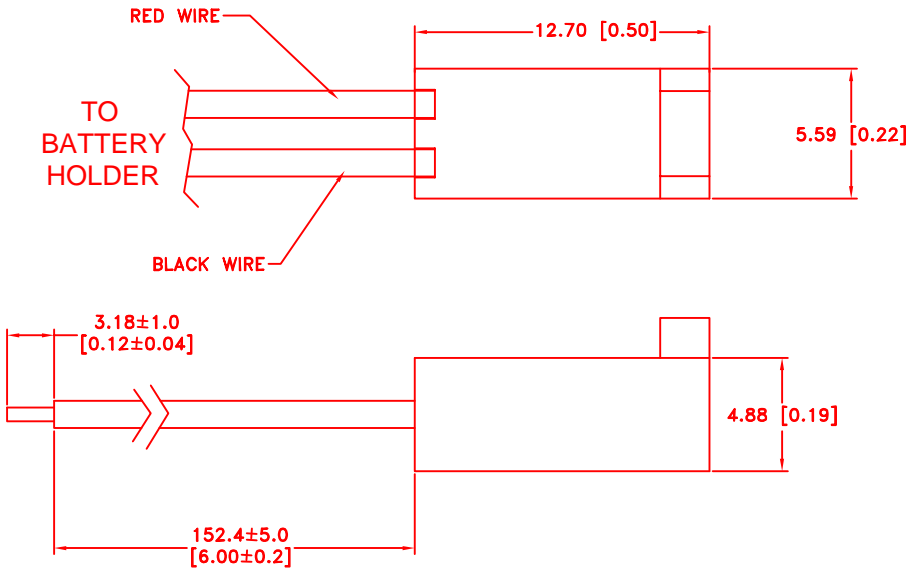
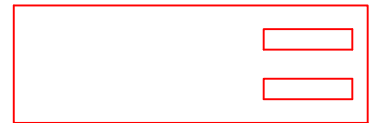



Date	SYM	REVISION RECORD	AUTH	DR.	CK.
10/28/06	A	ADDED "ROHS COMPLIANT"	T.B.	B.S.	



FEMALE CONNECTOR PIN



- NOTES:
- HOUSING: RED NYLON, UL94V-0  
TEMP.: -40°C TO 75°C  
UL FILE NO.: E29179, CSA FILE NO.: LR19980  
MATES WITH: 4030, 4380, 4094, 6373, 6410, 7395, 7478, 42152, 42153, 42225, 42226, 42227, 42228, 42375, 42376, 70021, 70327, 70475
  - CONTACT: BRASS, TIN PLATING  
TEMP.: -40°C TO 75°C
  - WIRES : 26 AWG, UL1007, CSA, TR64
  - ROHS COMPLIANT

PART NO.	DESCRIPTION		QTY
22-01-3027	MOLEX TYPE CONNECTOR OR EQUIV.		1
08-50-0114	MOLEX TYPE CONNECTOR PINS OR EQUIV. ( LOOSE FORM)		2
<b>Tolerance</b> (Except as noted)			
decimal	 <b>Memory Protection Devices, Inc</b> 200 Broad Hollow Road, Farmingdale, New York 11735		Scale Drawn By B.S. Approved By T.B.
±.5 (.020)			
Fractional	<b>Title</b> 2 POSITION LATCHING CONNECTOR WITH POLARIZING RIB, 2.54mm PIN SPACING		
± .8 (.030)			
Angular	<b>Date</b> 10/28/06	<b>Drawing Number</b> MPD-411	
± 3°			