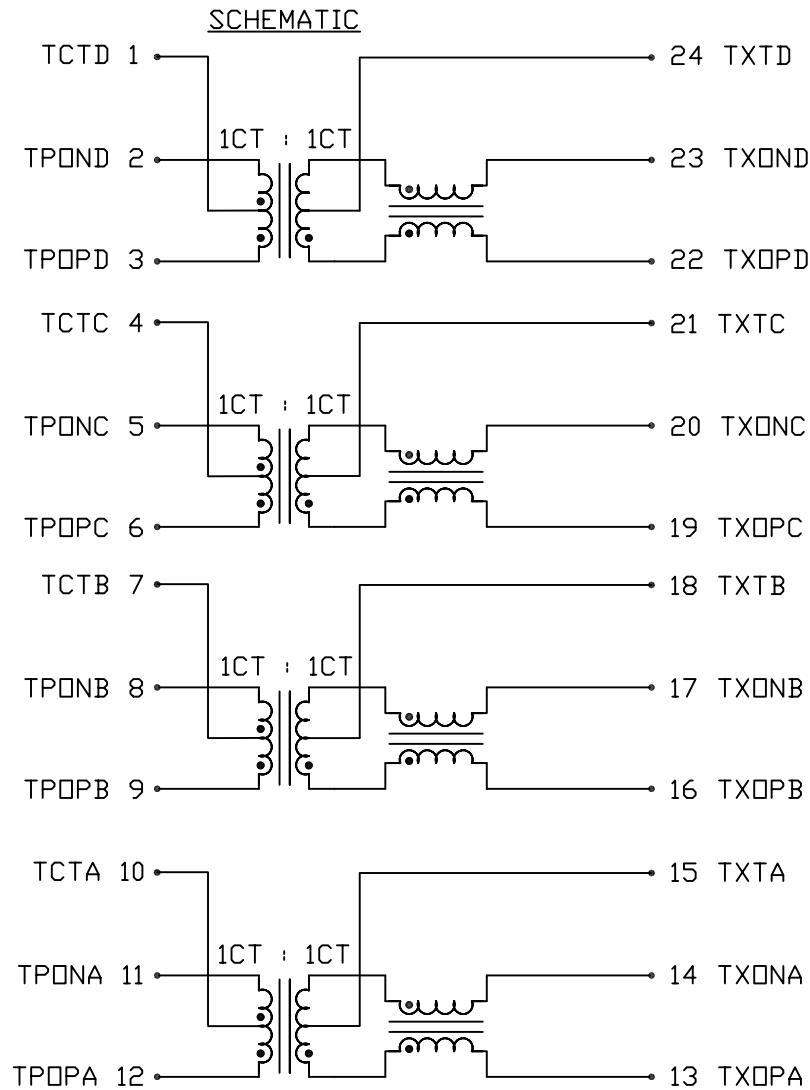


THE INFORMATION CONTAINED HEREIN IS CONSIDERED 'PROPRIETARY' TO BEL FUSE INC. AND SHALL NOT BE COPIED, REPRODUCED OR DISCLOSED WITHOUT THE WRITTEN APPROVAL OF BEL FUSE INC.

ELECTRICAL CHARACTERISTICS @25°C

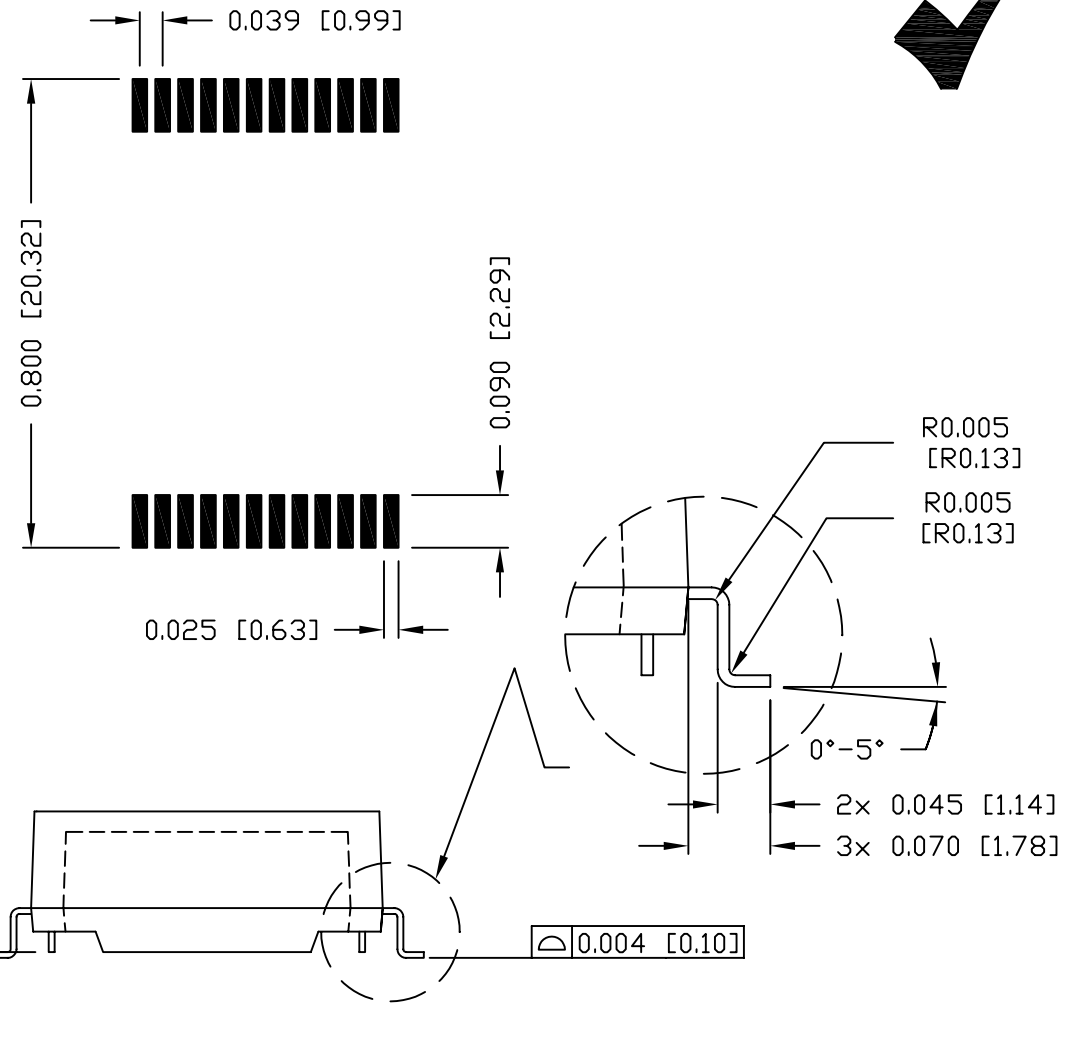
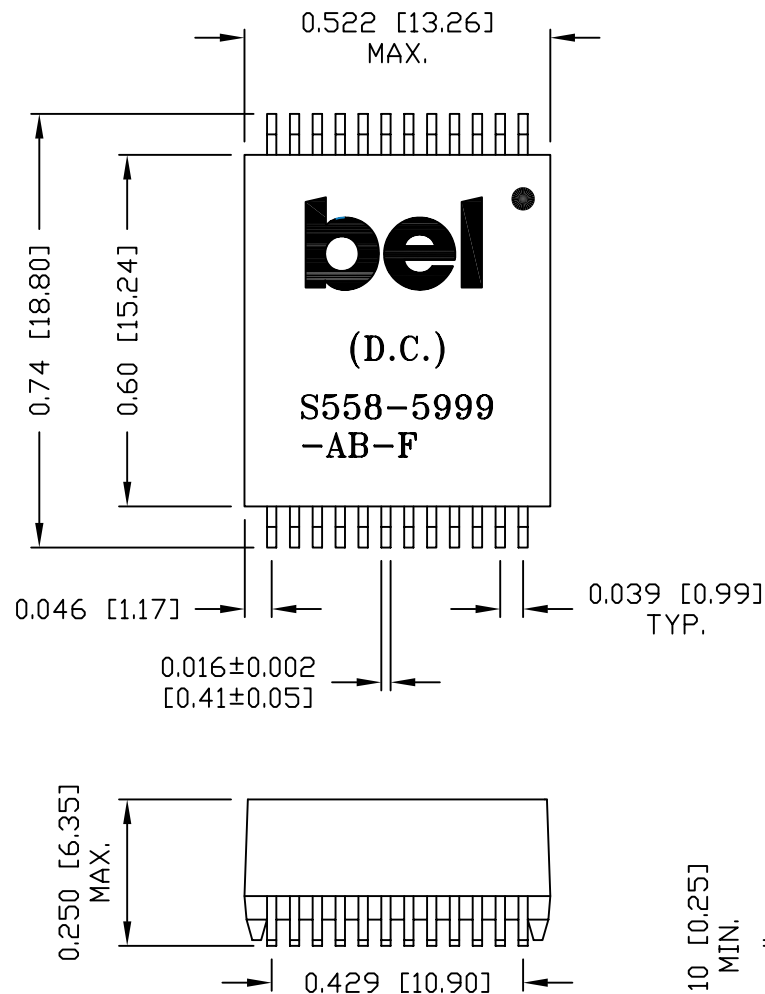


URNS RATIO	
(3-1-2) : (22-24-23)	1CT : 1CT
(6-4-5) : (19-21-20)	1CT : 1CT
(9-7-8) : (16-18-17)	1CT : 1CT
(12-10-11) : (13-15-14)	1CT : 1CT
QCL	350μH MIN AT 100kHz, 100mV WITH 8mA DC BIAS @25°C
INSERTION LOSS	1.1dB MAX @0.1 TO 1MHz 0.5dB MAX @1TO 65MHz 1.0dB MAX @80MHz 1.2dB MAX @125MHz
RETURN LOSS UNDER 100 OHM ±15% ENVIRONMENT	18dB MIN @0.5 TO 40 MHz 12-20LOG<f/80MHz> dB MIN @40 TO 100 MHz
COMMON TO COMMON REJECTION	30dB MIN @0.1 TO 100 MHz
CROSSTALK	@1 TO 100 MHz 33-20LOG<F/100 MHz> dB MIN
HIPOT	PER HAND-WORK-03
OPERATION TEMPERATURE:	-40°C TO 85°C

ORIGINATED BY Alice Pang		DATE 2015-01-26	TITLE GIGABIT ETHERNET MAGNETICS S558-5999-AB-F	PART NO. / DRAWING NO. X5585999AB-F	STANDARD DIM. TOL. IN INCH	REV. : C		PAGE : 2	
DRAWN BY ZC Guo		DATE 2015-01-26		FILE NAME X5585999ABFC.DWG	.X	[] METRIC DIM. AS REF.			
					.XX	UNIT : INCH [mm]			
				.XXX	SCALE : N/A				
							SIZE : A4		

THE INFORMATION CONTAINED HEREIN IS CONSIDERED "PROPRIETARY" TO BEL FUSE INC. AND SHALL NOT BE COPIED, REPRODUCED OR DISCLOSED WITHOUT THE WRITTEN APPROVAL OF BEL FUSE INC.

SUGGESTED PCB PAD LAYOUT



NOTES:

- STANDARD MARKING REFER TO DOC. HAND-WORK-04.
- PACKAGE CODE: "QTS001".

ORIGINATED BY	DATE	TITLE	PART NO. / DRAWING NO.	STANDARD DIM.	[] METRIC DIM. AS REF.	
Lawrence Tsang	2015-01-26	MECHANICAL DRAWING S558-5999-AB-F	X5585999AB-F	TOL. IN INCH	UNIT : INCH [mm]	
DRAWN BY	DATE		FILE NAME	.X	±0.01	SCALE : N/A
ZC Guo	2015-01-26		X5585999ABFC.DWG	.XX	±0.005	SIZE : A4

REV. : C PAGE : 3