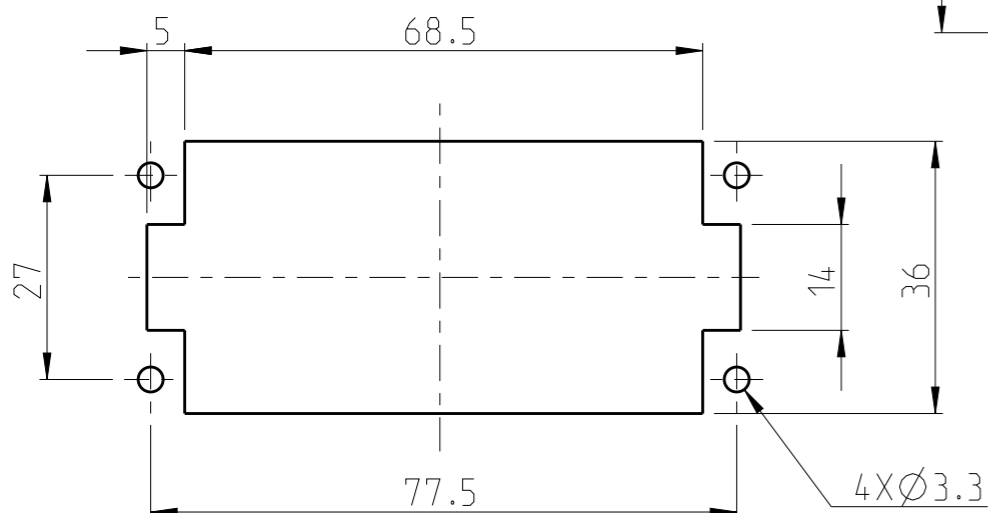
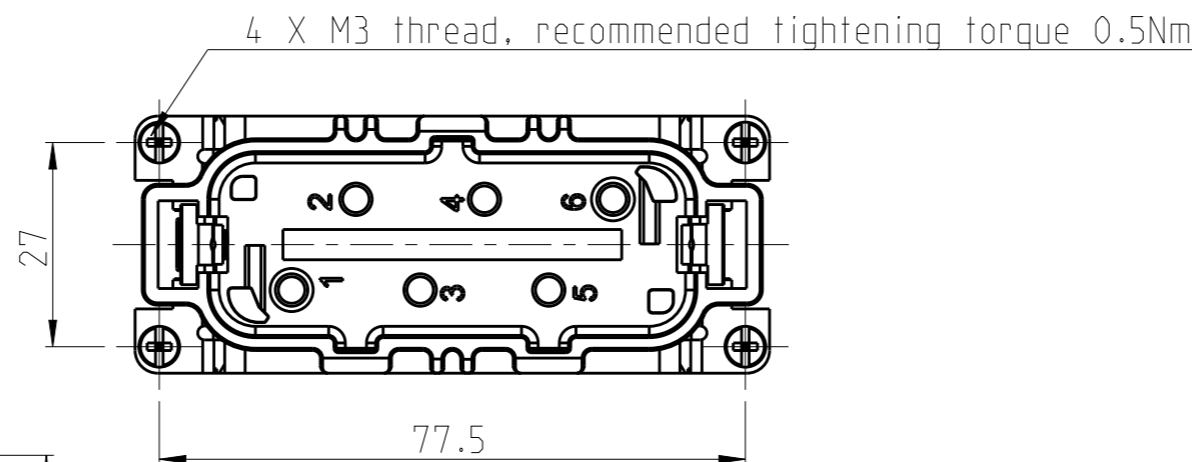
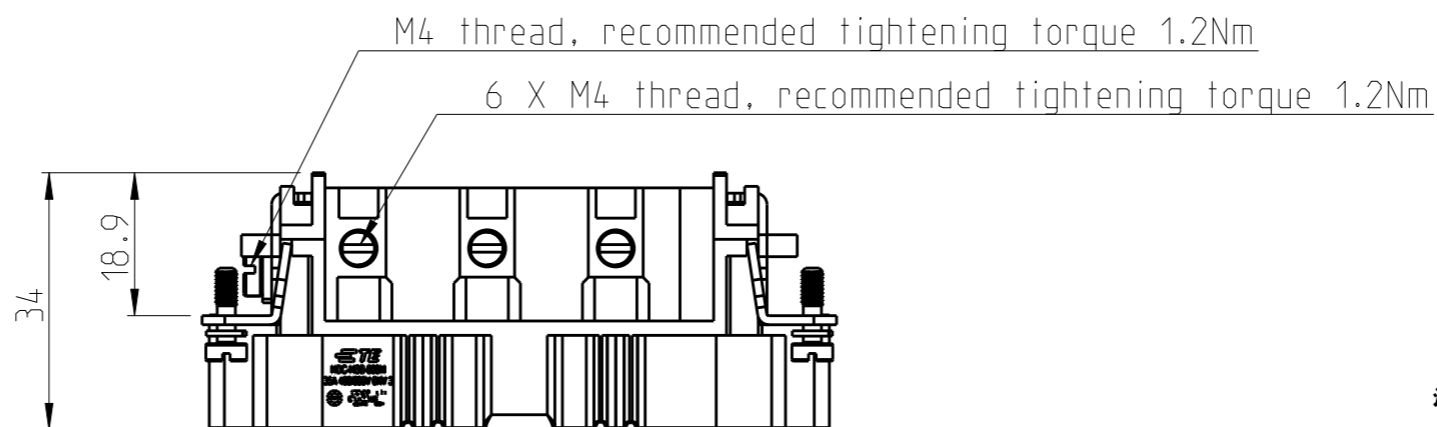
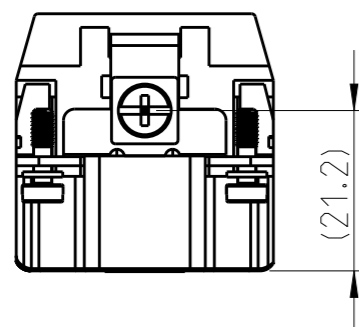
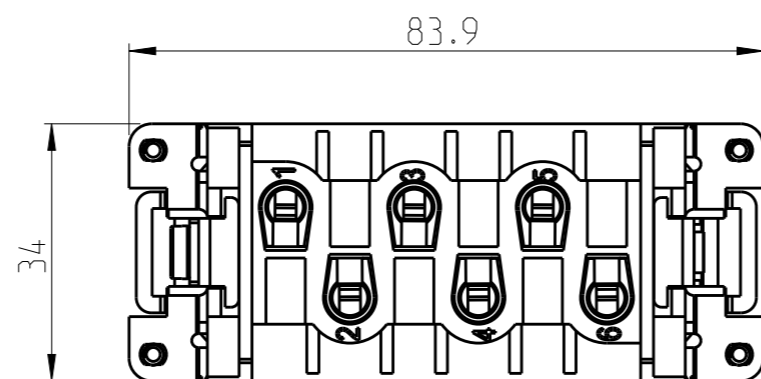
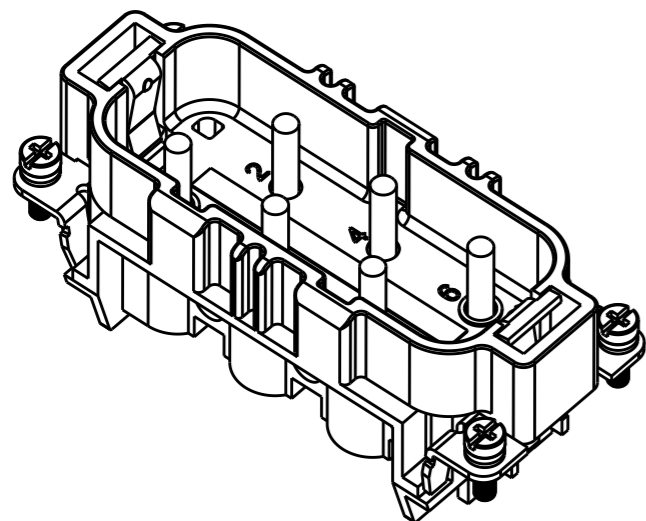


THIS DRAWING IS UNPUBLISHED. RELEASED FOR PUBLICATION 20  
 © COPYRIGHT 20 BY - ALL RIGHTS RESERVED.

REVISIONS

P	LTR	DESCRIPTION	DATE	DWN	APVD
A		INITIAL	25FEB2015	GY	CW
B		ECR-15-017607	03DEC2015	GY	CW




NOTES:

- TECHNICAL CHARACTERISTICS:  
 INSULATION MATERIAL: PC(Gray)  
 RATED VOLTAGE: CONDUCTOR-GROUND: 400V  
 CONDUCTOR-CONDUCTOR: 690V  
 RATED CURRENT: 35A  
 INSULATION RESISTANCE: >=400MΩ  
 RATED IMPULSE VOLTAGE: 6KV  
 POLLUTION DEGREE: 3  
 CONTACT RESISTANCE: <=5mΩ  
 FLAMMABILITY: UL94V-0  
 MATING CYCLES: 500  
 OPERATION TEMPERATURE: -40°C~+125°C  
 WIRE RANGE: 1.5mm²~6.0mm² (AWG16-AWG10)  
 CONTACT FINISH: SILVER PLATED  
 CONTACT TYPE: SCREW CLAMP (M4)

注释:

- 技术参数:  
 绝缘材料: PC(Gray)  
 额定电压: 导体-地: 400V  
 导体-导体: 690V  
 额定电流: 35A  
 绝缘电阻: >=400MΩ  
 脉冲电压: 6KV  
 污染等级: 3  
 接触电阻: <=5 mΩ  
 阻燃等级: UL94V-0  
 插拔次数: 500  
 工作温度: -40°C~+125°C  
 接线范围: 1.5mm²~6.0mm² (AWG16-AWG10)  
 端子表面处理: 镀银  
 接线类型: 螺丝压接 (M4)

HSB-006-M	T2060062101-000
DESCRIPTION	PART NUMBER

THIS DRAWING IS A CONTROLLED DOCUMENT.		DWN	Gino.Yao	10Dec2014	 TE Connectivity	NAME	HSB-006-M							
DIMENSIONS:		CHK	Chris.Wang	10Dec2014			PRODUCT SPEC	108-137052						
TOLERANCES UNLESS OTHERWISE SPECIFIED:		APVD	Xiang.Xu	10Dec2014				APPLICATION SPEC	114-137052					
mm									WEIGHT	-				
MATERIAL					SIZE	A3	CAGE CODE	-		DRAWING NO	T2060062101000		RESTRICTED TO	-
FINISH					CUSTOMER DRAWING		SCALE	1:1		SHEET	1 OF 1		REV	B

Panel cut out for inserts for using without hoods/housings