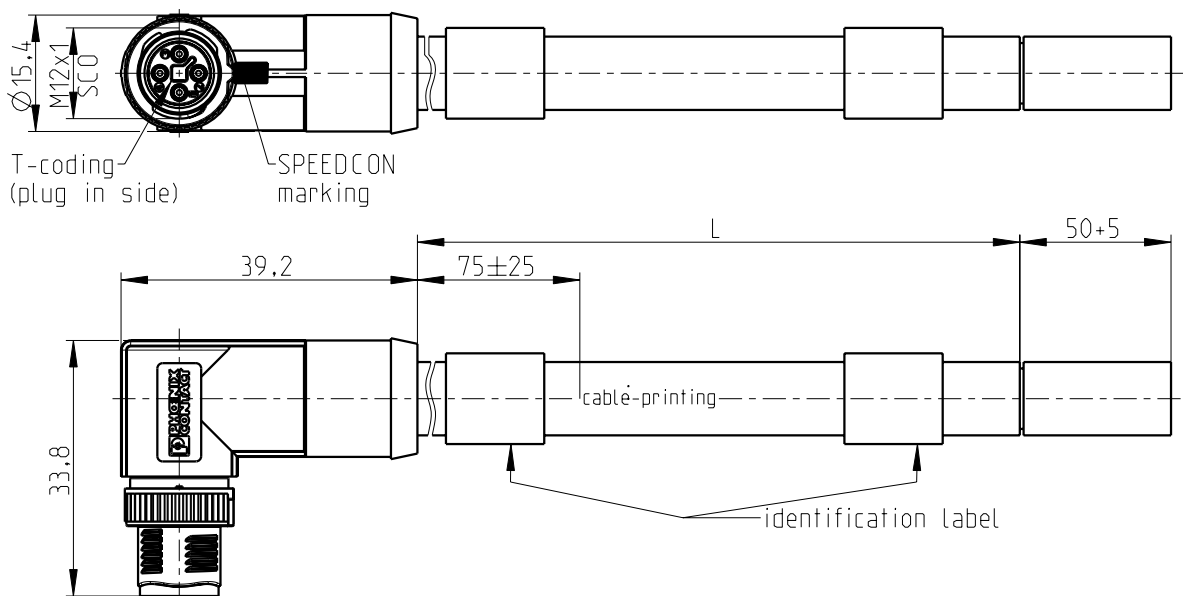


The copying, distribution and utilization of this document as well as the communication of the contents to others without expressed authorization is prohibited according to §18 UWG German Law. Offenders will be held liable for the payment of damages according to §19 UWG German Law. All rights reserved, in particular the right to carry out patent, utility model or ornamental design registrations.

Weitergabe sowie Vervielfältigung dieses Dokuments, Verwertung und Mitteilung seines Inhalts gem §18 UWG verboten, soweit nicht ausdrücklich gestattet. Zuwiderhandlungen verpflichten zu Schadensersatz (§19 UWG). Alle Rechte vorbehalten, insbesondere das Recht, Patent-, Gebrauchsmuster- oder Geschmacksmusteranmeldungen durchzuführen. CONINVERS GmbH Heisenbergstrasse 1 D-71083 Herrenberg

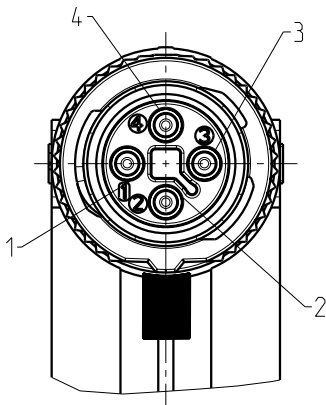
Mechanical data (according to IEC 61076-2-101)		Material	
no. of poles / coding	4 / T	housing / surface	GD-Zn / Ni
contact termination	crimp / pin	contact carrier	PA 6 / UL 94 V0
contact-Ø	1.5mm	colour	black
temperature range	-40 °C / +85 °C	cable	PUR
protection class	IP 66 / IP 67	cross section	1,5mm ²
mating cycles	> 100	contacts / surface	CuZn / Au
locking system	M12 Standard / SPEEDCON	sealing gasket	NBR
		overmold / colour	TPU / green

further information:
- see technical data M12-4



The specified electrical and mechanical data require a correctly locked pair of connectors. If the connector is unlocked and if there is a danger of contamination, the connector must be sealed using a protective cap >IP54. Influences from wires, cables or PCB mounting are also to be taken into consideration.

View of pin assignment
Plug-in side



Pin layout

pin	colour
1	brown
2	white
3	blue
4	black

order-no.	L (m)	cable-printing
1408816	1,0	Art.-Nr. 1408816 1,0m PUR 4x1,5 KW/JJ
1408819	2,0	Art.-Nr. 1408819 2,0m PUR 4x1,5 KW/JJ
1408820	5,0	Art.-Nr. 1408820 5,0m PUR 4x1,5 KW/JJ
1408822	10,0	Art.-Nr. 1408822 10,0m PUR 4x1,5 KW/JJ

general tolerance acc. to DIN ISO 2768-c		technical changes reserved		Index 1 / 2012-12-17		scale: 1:1	
design	date	description:		M12 Power, 4-pole pin overmolded, angled, DC, unshielded		page: 1 of: 1	
chk.	name						
		order-no.:	see chart				
		article designation:	SAC-4P-MRT/ L (see chart) -PUR SCO				
		doc.-no.:	00700242				