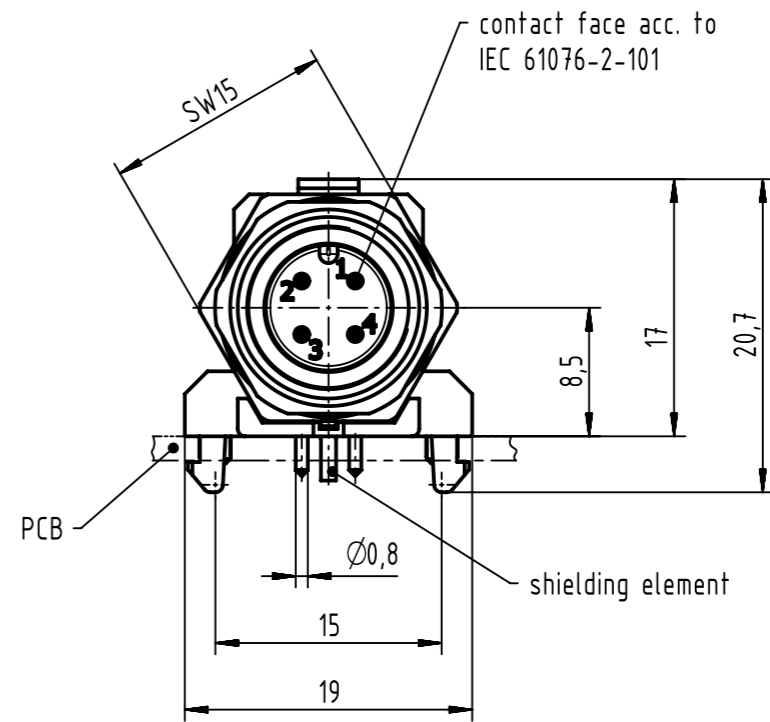
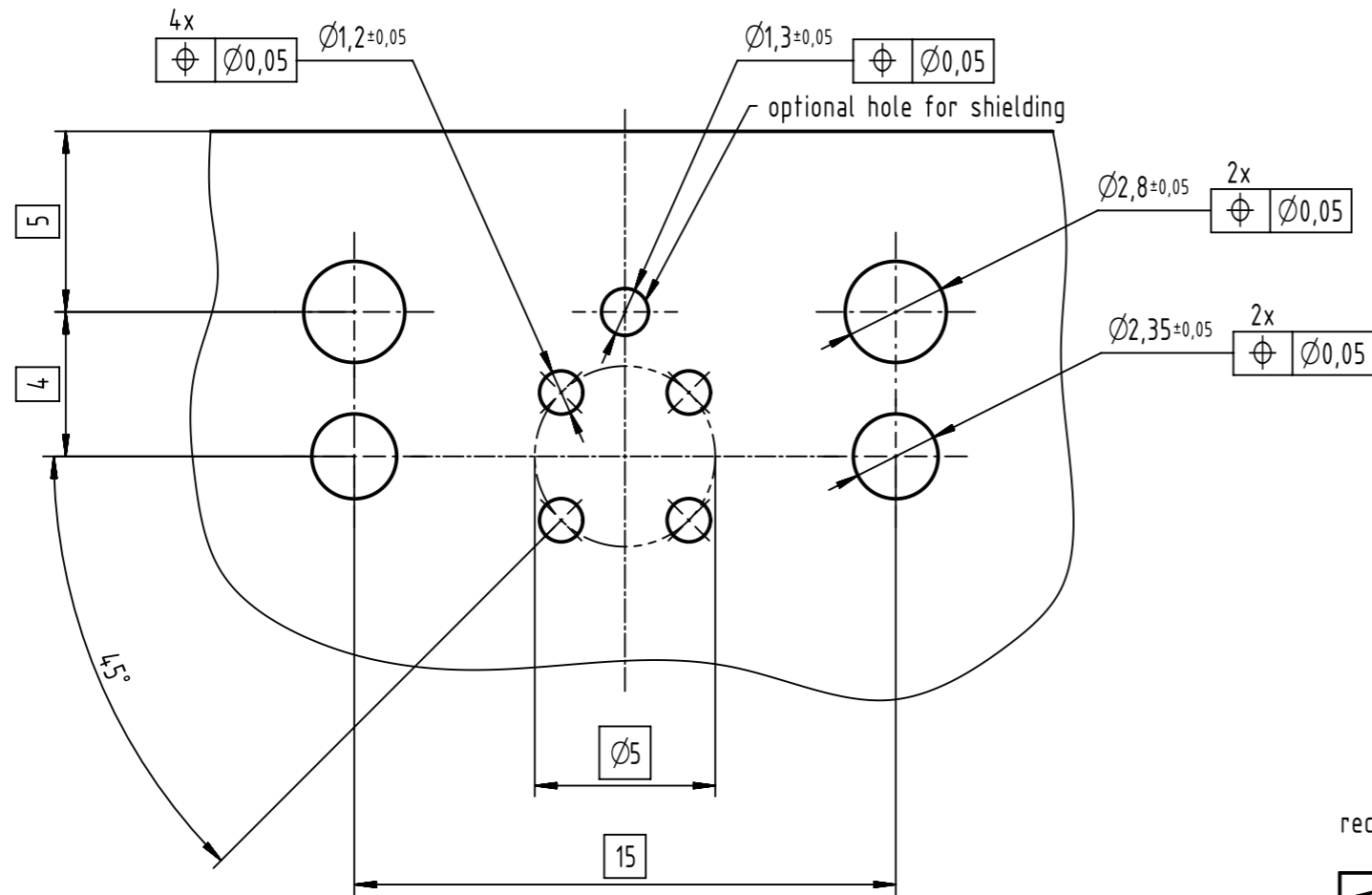
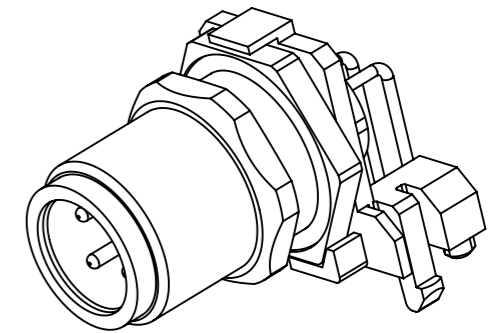
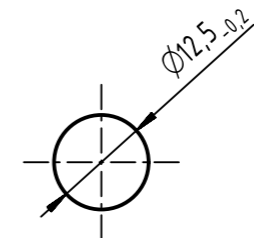


A(5:1)
recommended PCB layout



(1:1)
panel cut out



recommended PCB thickness: 1.6mm

	All rights reserved Department EC PD - DE HARTING Electronics GmbH D-32339 Espelkamp	All Dimensions in mm Original Size DIN A3		Scale 2:1	Free size tol.	Ref. Sub.
		Created by HELLMANN	Inspected by EISFELD	Standardisation KOHLER	Date 2016-05-17	State Final Release
Title HARTING M12 PCB recept angl 4-pole A-coded male shielded						Doc-Key / ECM-Nr. 100671219/UGD/000/A 500000104428
Type TB		Number 21033213401		Rev. A	Page 1/1	