

DESCRIPTION: INTERNAL DIMENSIONS - DIE CAST

**DIMENSIONS (IN.)**

	9	15	25
--	---	----	----

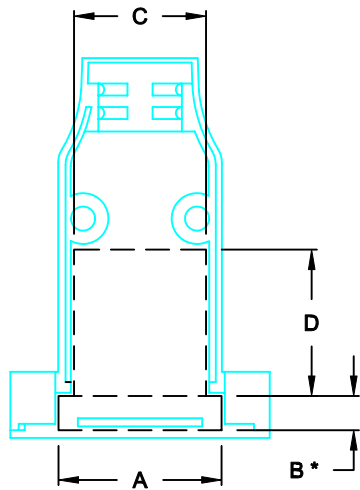
A	0.777	1.088	1.626
B *	0.163	0.163	0.203
C	0.629	0.928	1.471
D	0.698	0.698	0.881
PCB	0.452	0.452	0.452

SEE NOTE 1. →

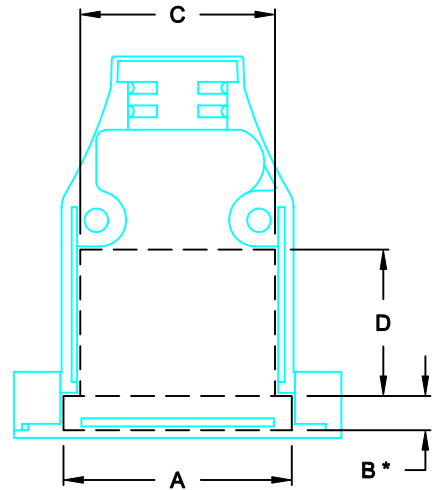
SEE NOTE 2. →

**NOTE:**

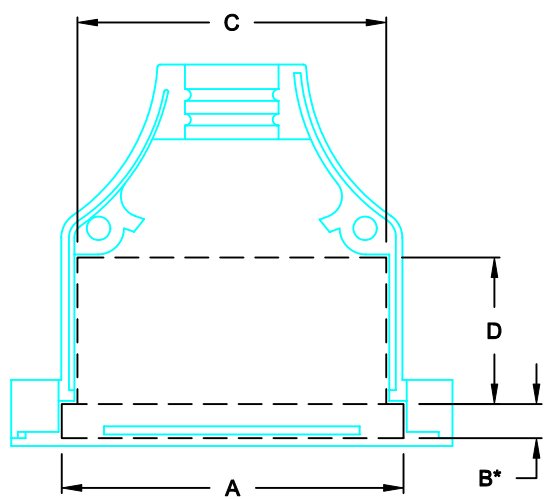
- "B" DIMENSION MEASURED FROM BACK SIDE OF CONNECTOR FLANGE
- MIN. SAFE SPACING BETWEEN BACK SHELLS FOR PCB AND MOUNTED COMPONENTS



**9-PIN**



**15-PIN**



**25-PIN**

**DIE CAST**



THESE DRAWINGS AND SPECIFICATIONS ARE THE PROPERTY OF NorComp AND SHALL NOT BE REPRODUCED, COPIED OR USED AS THE BASIS FOR THE MANUFACTURE OF SALE OF APPARATUS WITHOUT WRITTEN PERMISSION.

DRAWN: **C. SMITH**

DATE: **01-02-07**

CHECKED:

DATE:

SCALE: **N.T.S.**

SHEET **1** OF **1**

REV **1**

**NorComp**

DWG NO. **ID - 994 SERIES**

**RoHS COMPLIANT**