

PART NAME: KNOB SCALE: 1:1 DATE: 5/26/99 DR. BY TL

THIS DRAWING IS THE PROPERTY OF DAVIES MOLDING COMPANY, IS SUBMITTED SOLELY AS A DESIGN OR ENGINEERING PROJECT.
WE ACCEPT NO RESPONSIBILITY WHATSOEVER FOR THE PRACTICAL APPLICATION OF THE PIECES MADE TO THIS DESIGN.

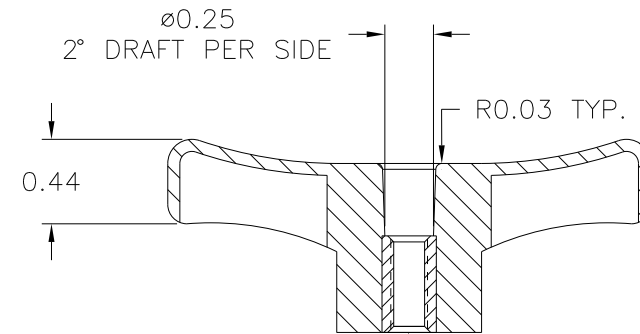
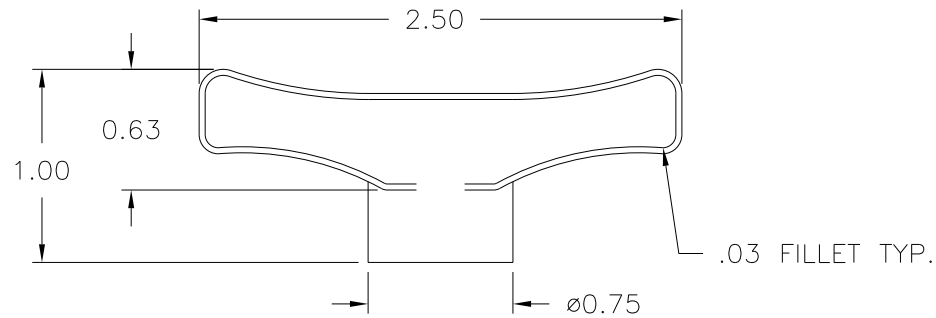
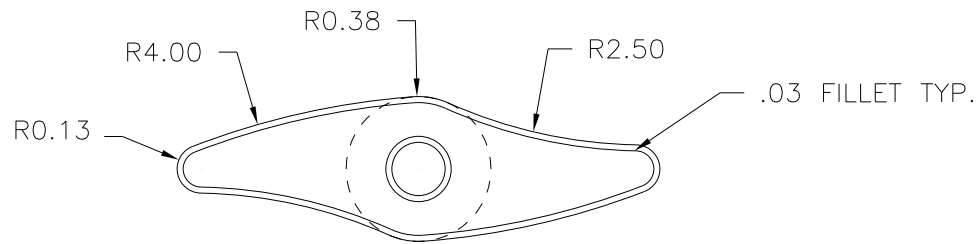


DESIGNERS & MANUFACTURERS
OF KNOBS, HANDLES, CASES &
CUSTOM PLASTIC COMPONENTS

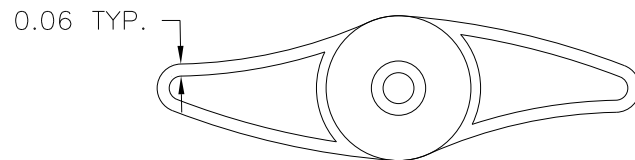
P/N 2031CJ

M^{NO.} MUD-FRAME

CAVITY	2030
CORE	2030
TOP PIN	2031CJ
SLEEVE	2031
BOTTOM PIN	2031CB
CORE BUSH.	2031
INSERT	I2041



10-32 UNF-2B THREADED
I2041, H.H. BRASS



MATERIAL: 33% GLASS-FILLED NYLON (BD1)
COLOR: BLACK

TOLERANCES: UNLESS OTHERWISE SPECIFIED	DO NOT SCALE DRAWING				
DECIMALS: X.XXX ± .005 X.XX ± .015	MM: X.XX ± 0.15MM X.X ± 0.4MM				
FRACTIONS ± 1/64	ANG. ± 1°	CHANGES			