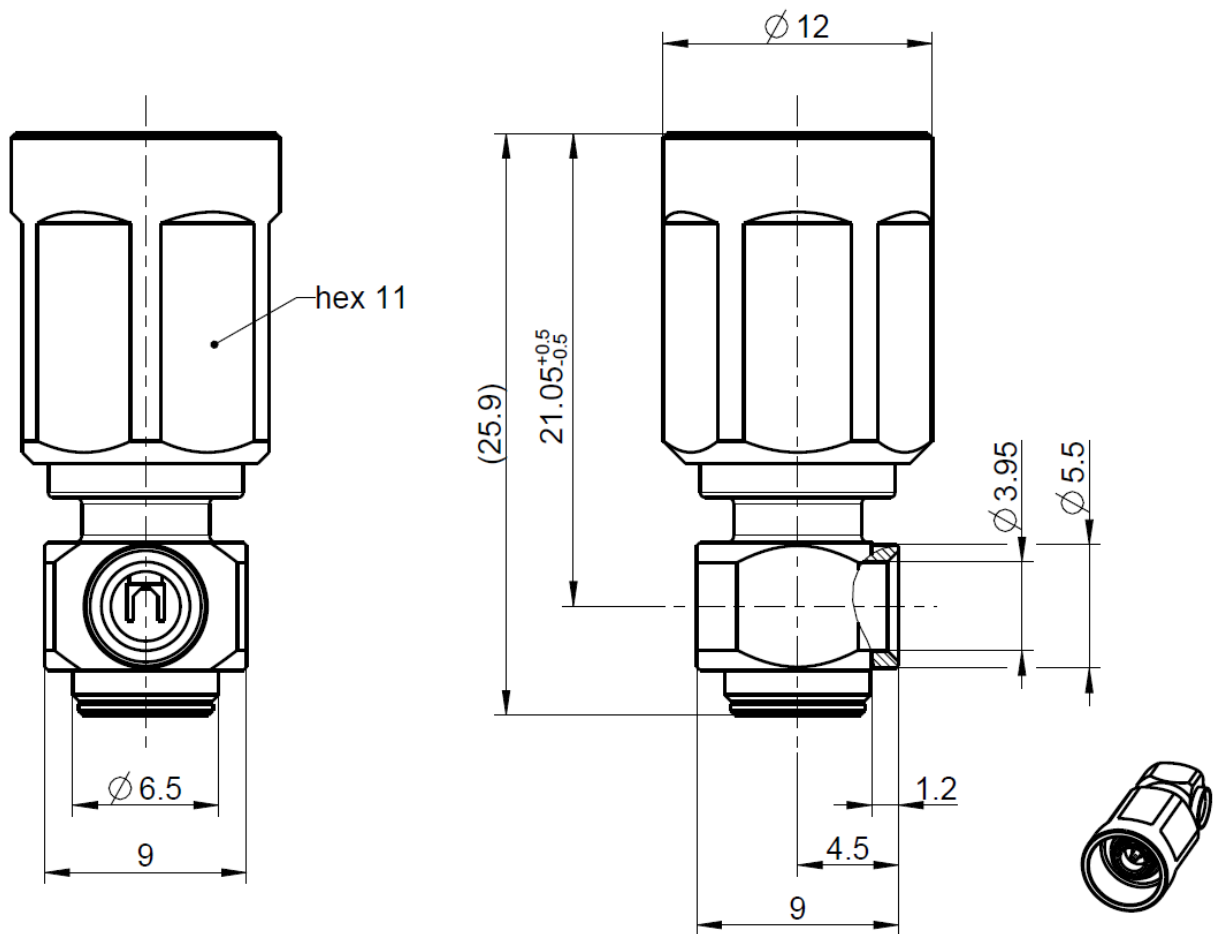


NEX10

Right angle plug

89S201-272N1



All dimensions are in mm; tolerances according to ISO 2768 m-H

Interface

According to NEX10™

Documents

Assembly instruction 89C1

Material and plating

Connector parts

Center contact
Outer contact
Body
Dielectric
Gasket

Material

Brass
Spring bronze
Brass
PTFE
Silicone

Plating

Silver, 3-6 µm
Silver, 3-6 µm
White bronze(e.g. Optalloy®)

Dieses Dokument ist urheberrechtlich geschützt • This document is protected by copyright • Rosenberger Hochfrequenztechnik GmbH & Co. KG

RF_35/05.10/6.0

NEX10

Right angle plug

89S201-272N1

Electrical data

Impedance	50 Ω
Frequency	DC to 20 GHz
Return loss	≥ 36 dB @ DC to 4 GHz ≥ 34 dB @ 4 to 6 GHz
Insertion loss	≤ 0.05 x √ f [GHz] dB
Insulation resistance	≥ 5 GΩ
Center contact resistance	≤ 2.0 mΩ
Outer contact resistance	≤ 1.0 mΩ
Working voltage	500 V rms
RF-leakage	≥ 110 dB @ DC to 6 GHz
Power handling	100 W @ 2.0 GHz and 85°C ambient temperature 50 W @ 2.0 GHz and 105°C ambient temperature
Intermodulation (3 rd order)	≥ 160 dBc (2 x 43 dBm) @ 0.4 – 6.0 GHz

- Limitations are possible due to the used cable type -

Mechanical data

Mating cycles	≥ 100
Recommended torque	1.5 Nm

Environmental data

Temperature range	-55 °C to +125 °C operating temperature
Thermal shock	IEC 61169-1 9.4.4
Vibration	IEC 61169-1 9.3.3 and IEC 60068-2-64
Shock	IEC 61169-1 9.3.14
Degree of protection (mated pair)	IEC 60529, IP68 24h / 1m
RoHS	compliant

Tooling

N/A

Suitable cables

UT 141, RG 402 and similar

Weight

Weight	10.2 g/pce
--------	------------

While the information has been carefully compiled to the best of our knowledge, nothing is intended as representation or warranty on our part and no statement herein shall be construed as recommendation to infringe existing patents. In the effort to improve our products, we reserve the right to make changes judged to be necessary.

Draft	Date	Approved	Date	Rev.	Engineering change number	Name	Date
F. Fraunhofer	18.04.16	B.Huppenberger	10.04.18	400	18-v122	R. Kumar	10.04.18
Rosenberger Hochfrequenztechnik GmbH & Co. KG P.O.Box 1260 D-84526 Tittmoning Germany www.rosenberger.de						Tel. : +49 8684 18-0 Email : info@rosenberger.de	
							Page 2 / 2