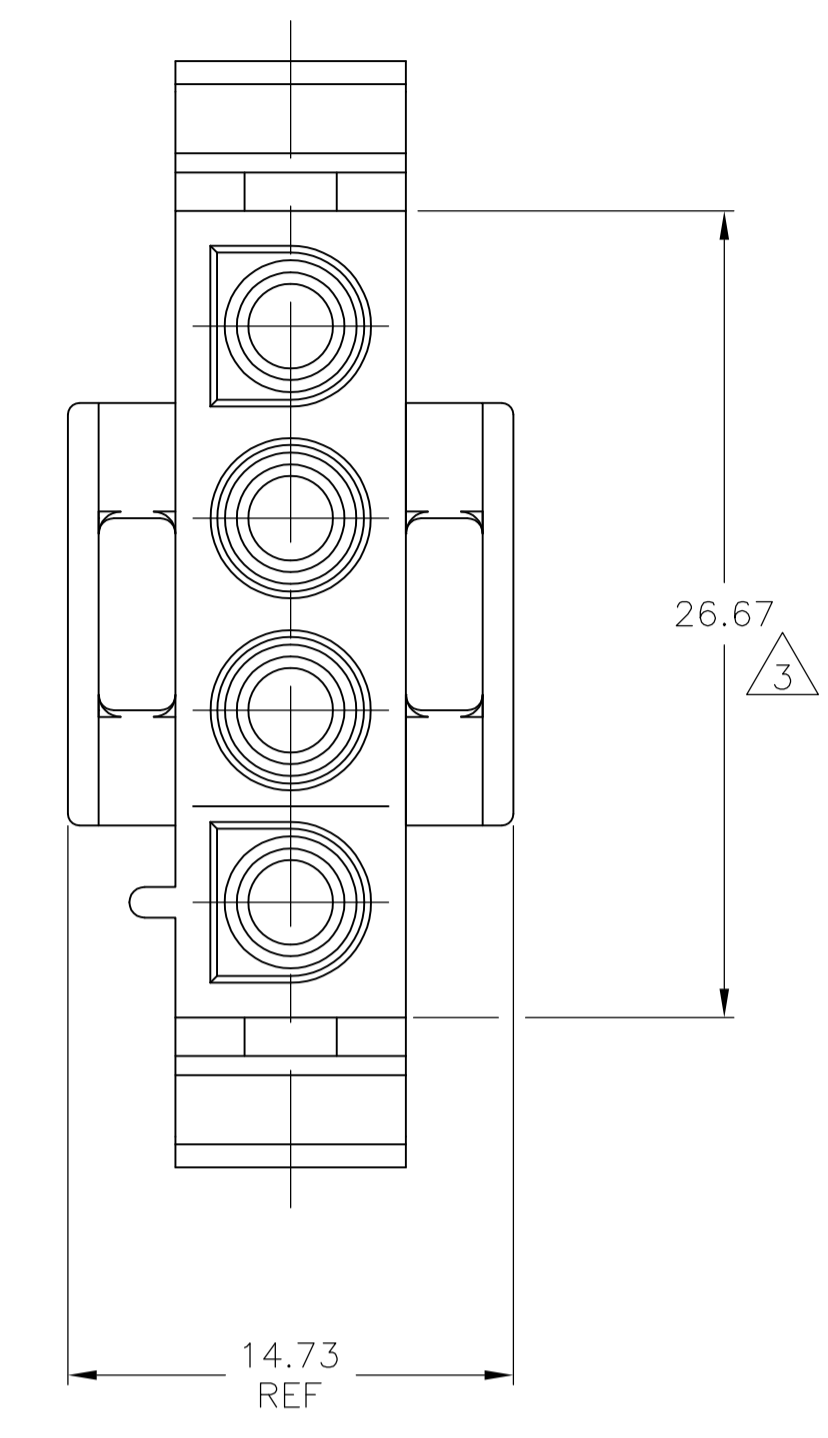
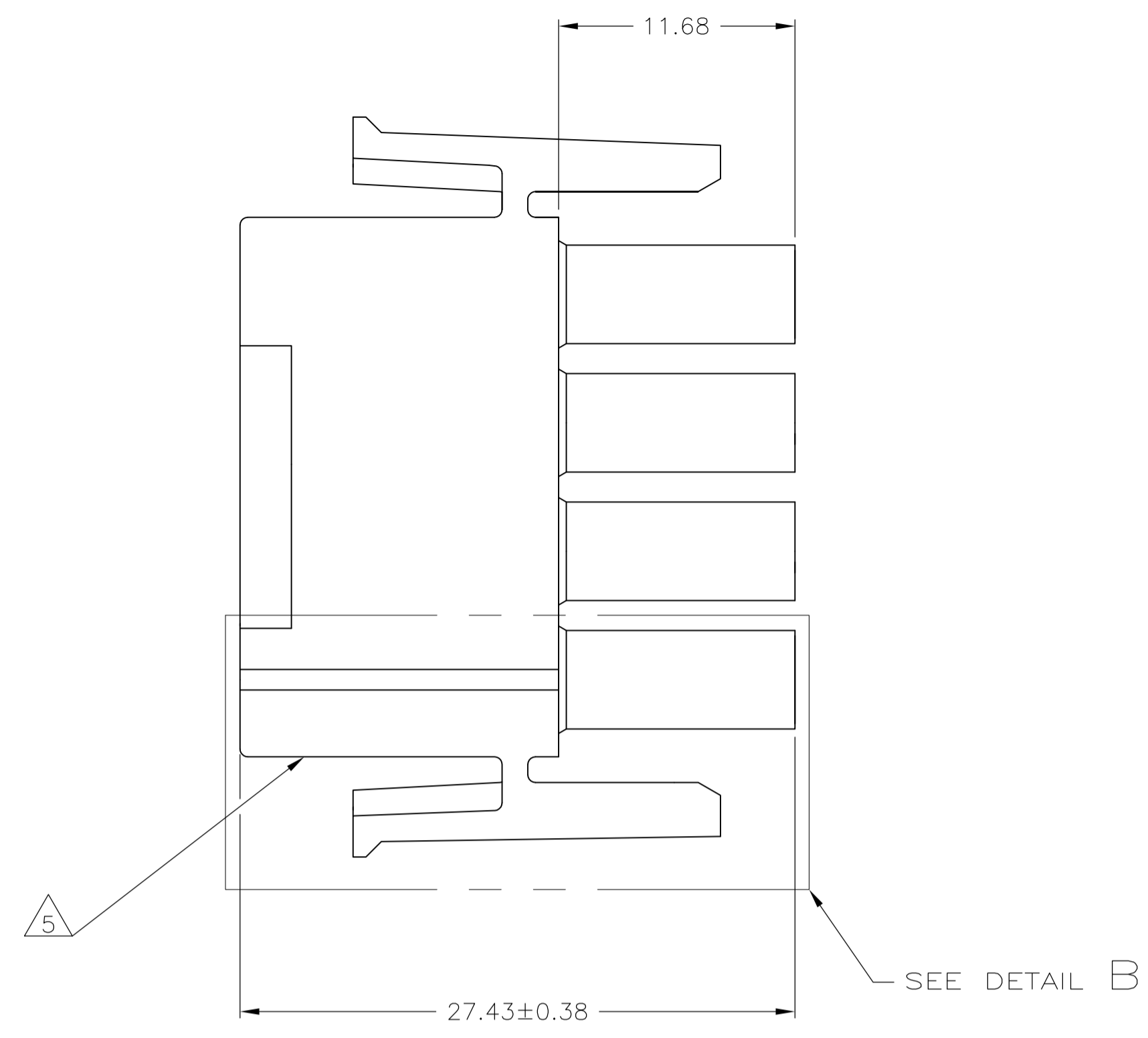
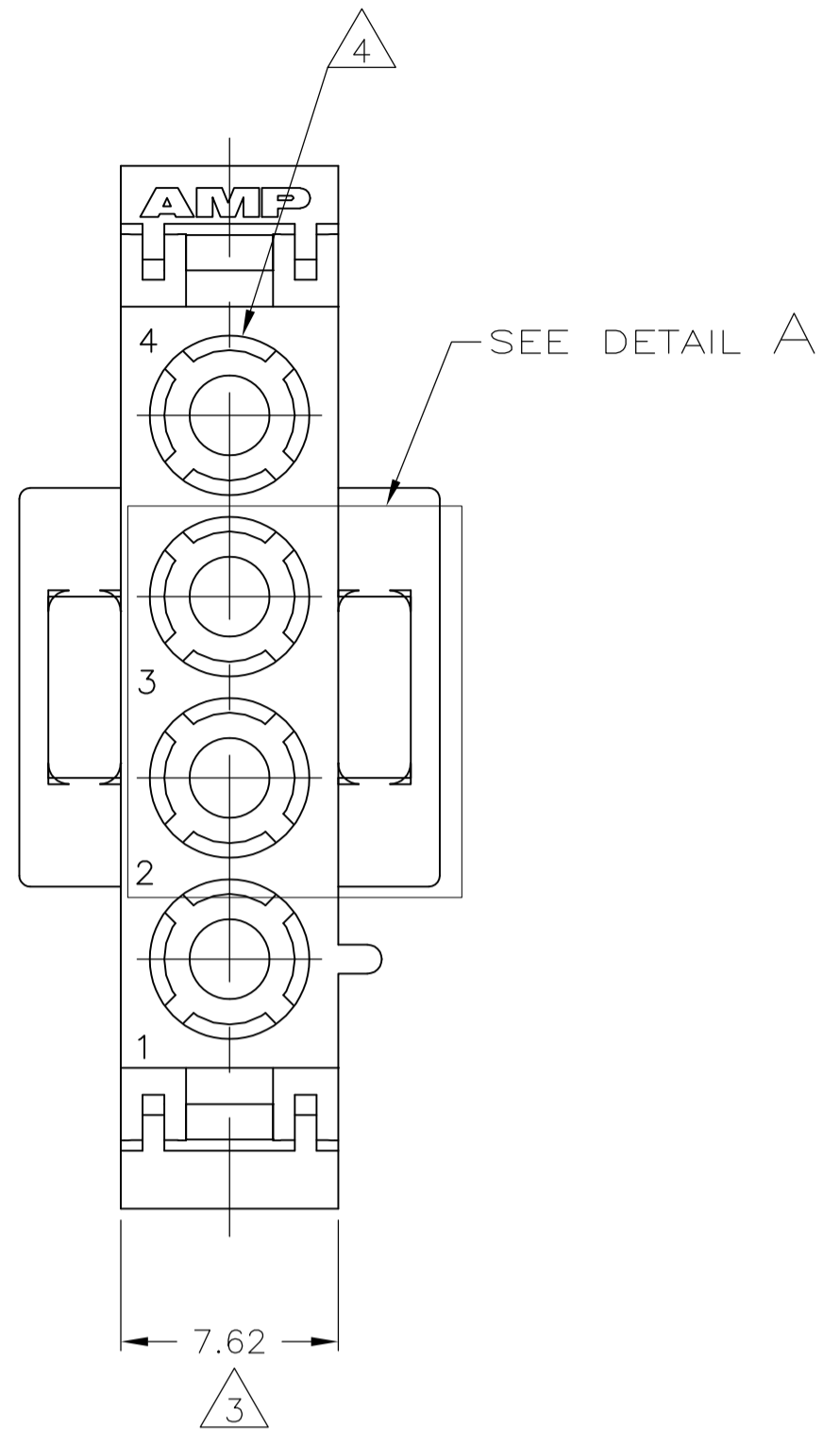
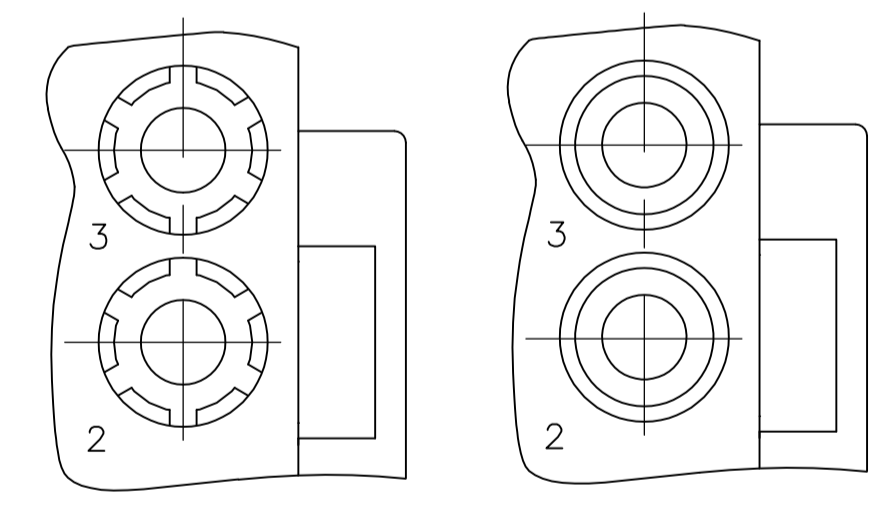
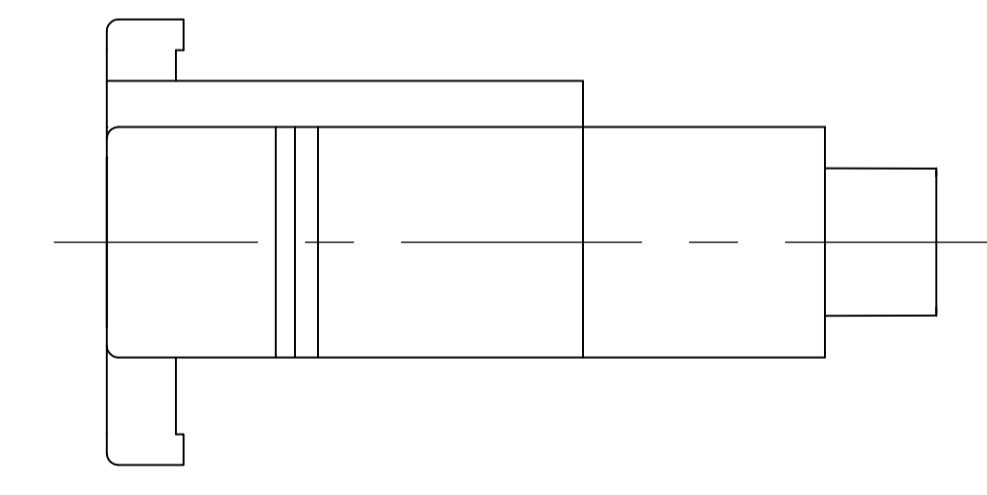


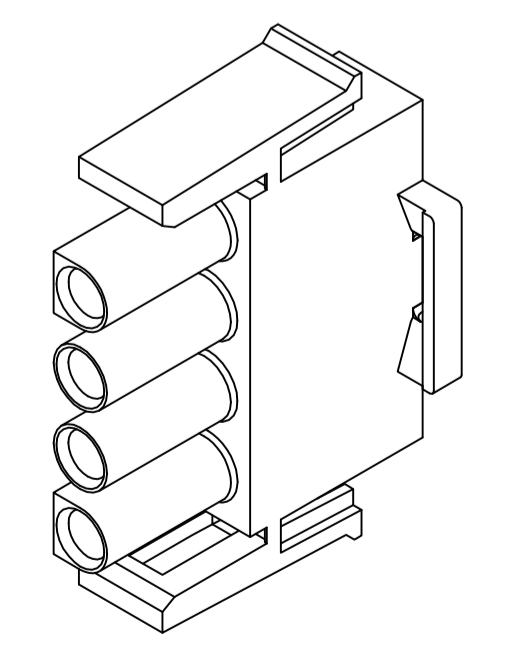
| LOC | | DIST | | REVISIONS | | | |
|-----|-------------|-----------|----------|-----------|----|--|--|
| P | LTR | DATE | DMN | APVD | | | |
| B | REV PER ECR | 10-018921 | 13SEPT10 | JR | TM | | |



- MATES WITH APPROPRIATE UNIVERSAL MATE-N-LOK™ CAP OR HEADER.
- SMALL NICKS ARE PERMITTED ON THE CIRCUIT TOWERS WHICH COULD INCREASE THE INITIAL HOUSING MATING FORCE BY UP TO 4.4 NEWTONS [1.0 LBS]. NO INDIVIDUAL NICKED TOWER SHALL INCREASE THIS FORCE BY OVER 2.2 NEWTONS [.5 LBS].
- DIMENSION INDICATED IS AS MOLDED. ADDITIONAL GROWTH DUE TO SUBSEQUENT MOISTURE ABSORPTION MAY OCCUR.
- FOUR RIBS EQUALLY SPACED, NO SPECIFIC ORIENTATION. NO RIBS OR SIX RIBS EQUALLY SPACED, NO SPECIFIC ORIENTATION, OPTIONAL.
- UNDERWRITERS RECOGNIZED COMPONENT LOGO AND CSA CERTIFICATION LOGO TO BE LOCATED ONCE EACH ON SIDE OF HOUSING.
- FLAMMABILITY V2 FOR THICKNESS 0.38mm, 1.5mm, and 3.0mm PER IEC 60695-11-10.
- GLOW-WIRE FLAMMABILITY (GWFI) 800°C FOR THICKNESS 0.38mm AND 0.75mm PER IEC 60695-2-12.
- GLOW-WIRE FLAMMABILITY (GWFI) 960°C FOR THICKNESS 1.5mm AND 3.0mm PER IEC 60695-2-12.
- GLOW-WIRE IGNITION (GWIT) 825°C FOR THICKNESS 0.38mm, 0.75mm, 1.5mm AND 3.0mm PER IEC 60695-2-13.



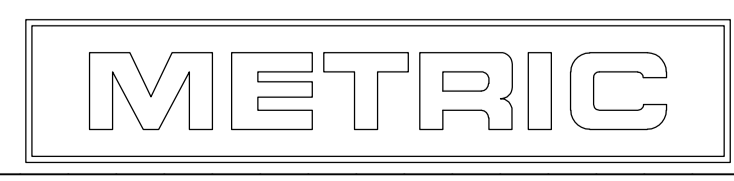
DETAIL A
OPTIONAL CONSTRUCTION



3-DIMENSIONAL MODEL
NTS

| | |
|-------|-------|
| 27.43 | 1.080 |
| 26.67 | 1.050 |
| 14.73 | .580 |
| 11.68 | .460 |
| 7.62 | .300 |
| 3 | .118 |
| 0.4 | .016 |
| 0.38 | .015 |
| 0.13 | .005 |
| MM | IN |

CONVERSION TABLE



| | | | | |
|---|--|---------------------------------|---|---------------|
| THIS DRAWING IS A CONTROLLED DOCUMENT. | | DWG K. WHITAKER 19JUL2007 | Tyco Electronics Corporation Harrisburg, Pa 17105-3608 | |
| DIMENSIONS: mm | | CHK D. COLEY 19JUL2007 | NAME D. COLEY 19JUL2007 | |
| TOLERANCES UNLESS OTHERWISE SPECIFIED: 0. PLC ± - 1. PLC ± - 2. PLC ± 0.13 3. PLC ± - 4. PLC ± - ANGLES ± 0°30' | | APPLICATION SPEC | | RESTRICTED TO |
| MATERIAL NYLON,UL 94V-2 | | FINISH - | | WEIGHT - |
| CUSTOMER DRAWING | | SCALE 4:1 | SHEET 1 of 1 | REV B |

NATURAL COLOR 1586852-1 PART NO.

PLUG, 4 CIRCUIT, UNIVERSAL MATE-N-LOK(TM)

SIZE: A1 00779 C=1586852