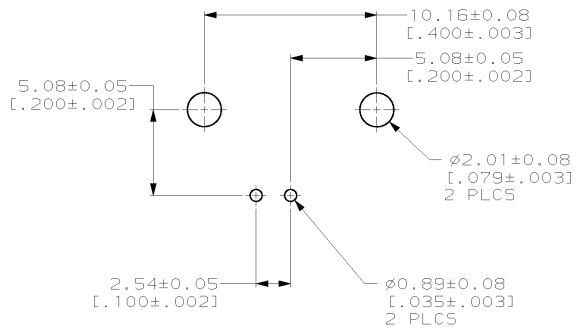
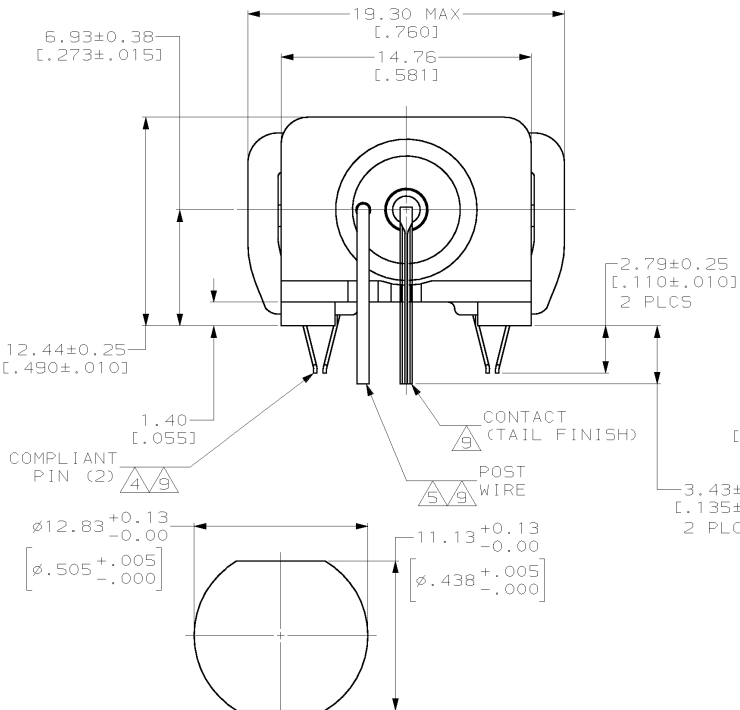


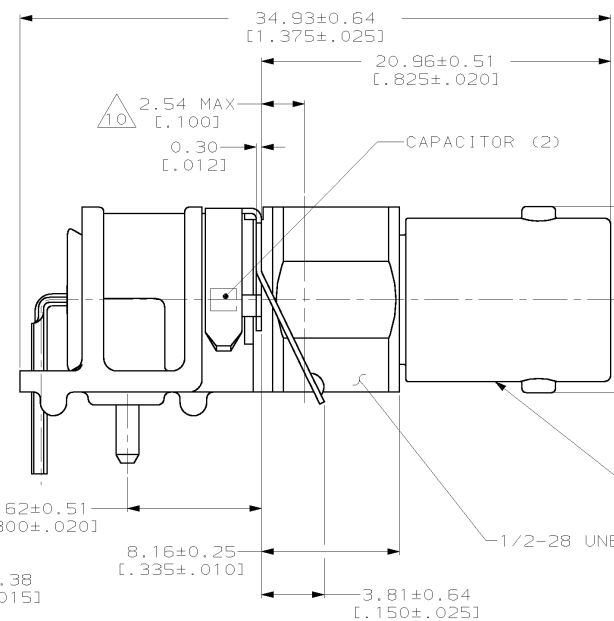
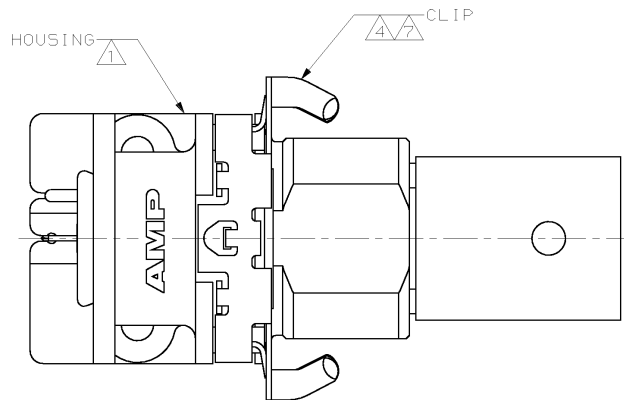
LOC	DIST	REVISIONS				
		TR	DESCRIPTION	DATE	OWN	APP'D
AJ	16	D	OBS -3 PER 0020-0072-01	16APR01	MO	TA



RECOMMENDED PC BOARD LAYOUTS  
SCALE 4:1



RECOMMENDED PANEL CUTOUT  
SCALE 4:1



- 1 POLYESTER PBT PER MIL-M-24519, TYPE GPT-15F, UL94V-0 RATED, COLOR: BLACK
- 2 POLYMETHYLPENTENE: GENERAL PURPOSE
- 3 ZINC DIE-CAST PER QQ-Z-363
- 4 PHOSPHOR BRONZE PER QQ-B-750
- 5 BRASS PER ASTM-B-453
- 6 GOLD PLATE PER MIL-G-45204, 0.76µm [1.000030] MIN THICKNESS
- 7 NICKEL PLATE PER QQ-N-290, 2.54µm [1.000100] MIN THICKNESS
- 8 CHROMATE PER QQ-P-416
- 9 TIN-LEAD PLATE PER MIL-P-81728A
- 10 RECOMMENDED PANEL MOUNTING
- 11. CAPACITANCE: 9400pF  
VOLTAGE: 1500vdc
- 12. ESD DEVICE VOLTAGE BREAKDOWN < 2.5kVdc
- 13. USE INSTRUCTION SHEET 2769
- 14 GOLD PLATE PER MIL-G-45204, 0.38µm [1.000015] MIN THICKNESS
- 15 GOLD PLATE PER MIL-G-45204, 0.08µm [1.000003] MIN THICKNESS

- 1 DIELECTRIC
- 2 CONTACT
- 3 SHELL
- 4 CONTACT

OBSELETE	15	415657-3
	14	415657-2
SUPSD BY 415657-2	13	415657-1
	CONTACT FINISH	PART NUMBER

THIS DRAWING IS A CONTROLLED DOCUMENT.		DWG MICHAEL E. COWHER CHK MICHAEL J. TOMCHAK APD MICHAEL J. TOMCHAK	AMP INCORPORATED HARRISBURG, PA 17105-3608
DIMENSIONS: mm (INCHES)	TOLERANCES UNLESS OTHERWISE SPECIFIED: 0 PLC ± 1 PLC ± 2 PLC ±0.20 (.008) 3 PLC ± 4 PLC ± ANGLES ±	PRODUCT SPEC 108-1575 APPLICATION SPEC	NAME JACK, RIGHT ANGLE, 50 OHM, DECOUPLED, PCB, BNC
MATERIAL	SEE NOTES	FINISH	SEE NOTES
CUSTOMER DRAWING		WEIGHT -	SIZE CASE CODE DRAWING NO A2 00779
		SCALE 5:1	SHEET 1 OF 1 REV 0

415657