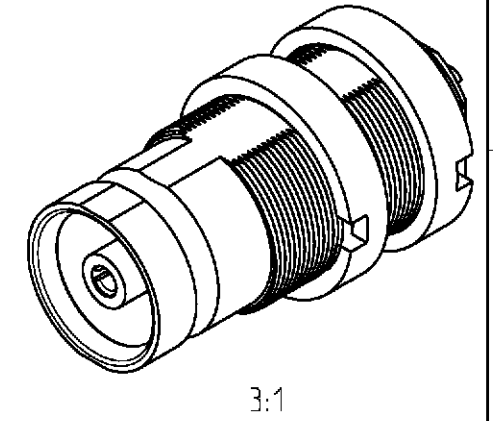
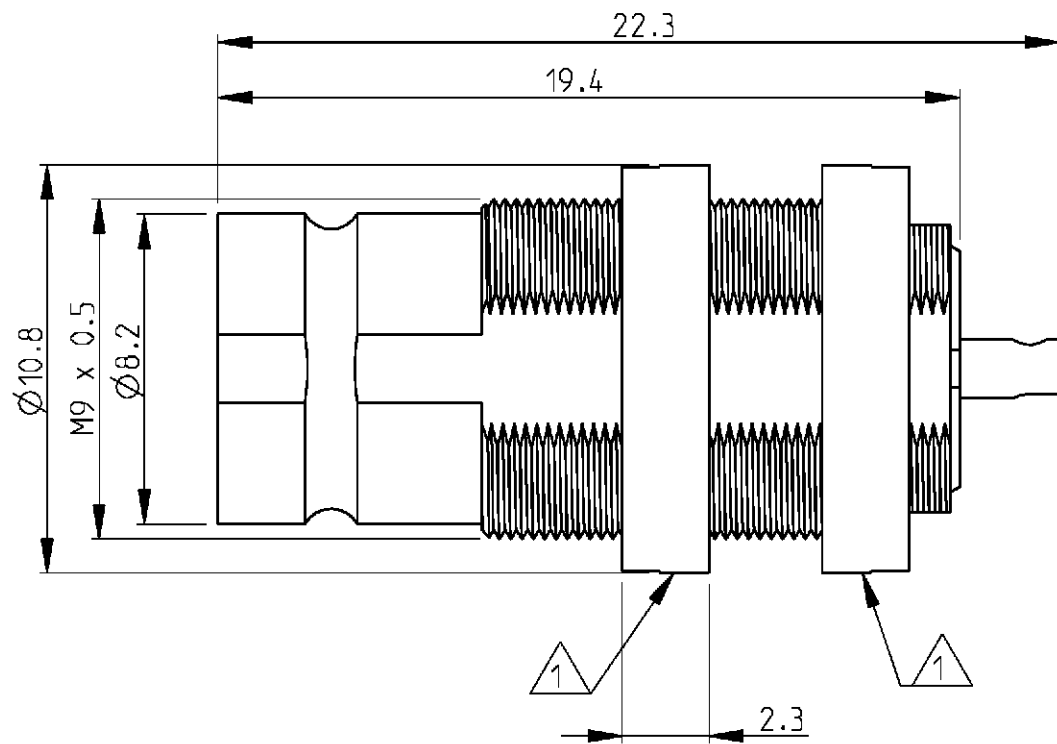


THIS DRAWING IS UNPUBLISHED. RELEASED FOR PUBLICATION 2000  
 © COPYRIGHT 2000 BY TYCO ELECTRONICS CORPORATION. ALL RIGHTS RESERVED.

LOC	DIST	REVISIONS					
		P	LTR	DESCRIPTION	DATE	DWN	APVD
GW	-		A	WD 00/7017	10AUG2000	KM	KD
			A1	SR10-0137-01	05APR2001	BL	KM

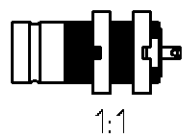


2) Mating face according to DIN 47295/CECC 22240.

△ Supplied as loose part.

All dimensions are maximum.

Cross reference table				
Old part number	Tyco part number	Description	Material	Plating
V23612-A1020-G1	1-1393681-1	Outer conductor	Brass	1 μm Au min in contact area
		Center conductor	CuBe	1 μm Au min in contact area
		Dielectric	PEEK	-



<small>THIS DRAWING IS A CONTROLLED DOCUMENT FOR TYCO ELECTRONICS CORPORATION. IT IS SUBJECT TO CHANGE AND THE CONTROLLING ENGINEERING ORGANIZATION SHOULD BE CONTACTED FOR THE LATEST REVISION.</small>		DWN B. Lenvain 02APR2001 CHK K. Mattheeuws 05APR2001 APVD R. Leeman 05APR2001	<b>tyco</b> Tyco Electronics <b>Electronics</b> Oostkamp - Belgium	
DIMENSIONS: mm 	TOLERANCES UNLESS OTHERWISE SPECIFIED: 0 PLC ± 1 PLC ± 2 PLC ± 3 PLC ± 4 PLC ± ANGLES ±	PRODUCT SPEC - APPLICATION SPEC - WEIGHT -	NAME Bulkhead jack 1.6/5.6 75 ohm with solder connection	
MATERIAL -	FINISH -	CUSTOMER DRAWING	SIZE A3 CAGE CODE 00779 DRAWING NO. 1-1393681-1	RESTRICTED TO -
			SCALE 5/1	SHEET 1 OF 1
			REV A1	