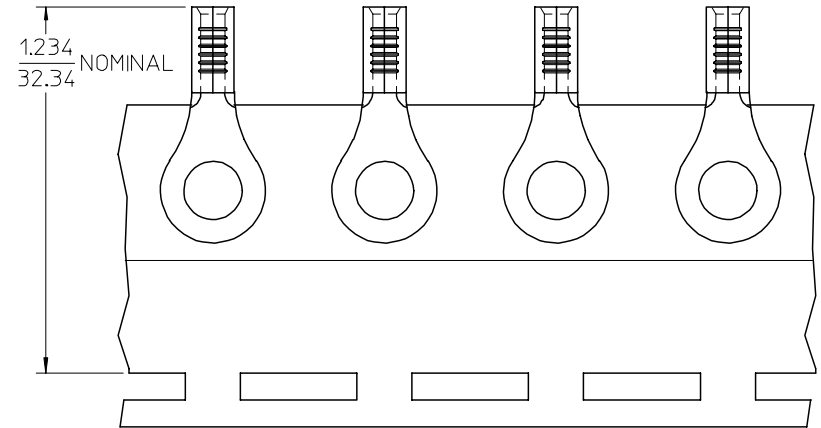
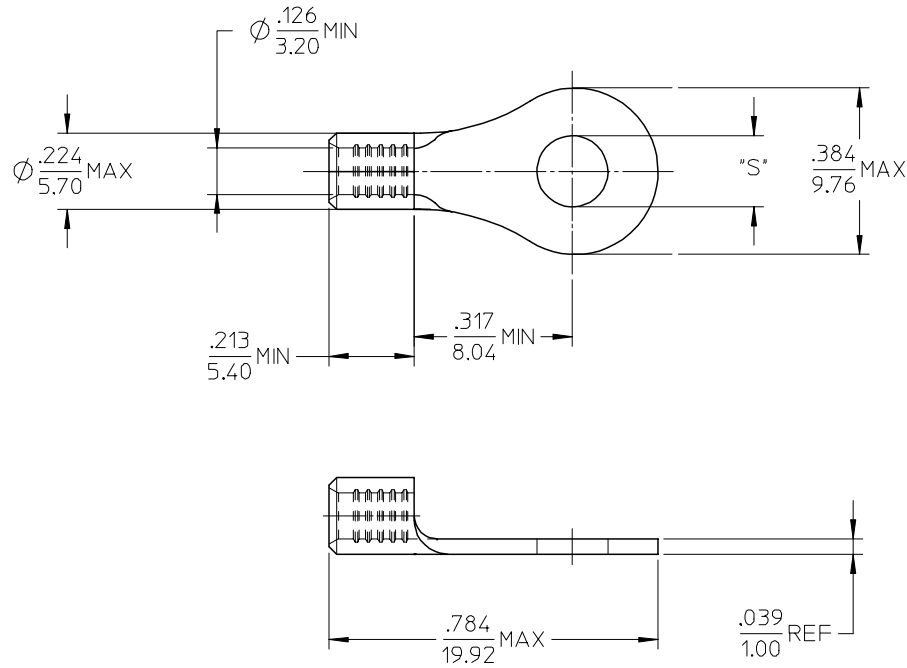


MATERIAL NO.	ENG. NO.	STUD SIZE	"S" MAX	DESCRIPTION
192030389	C-S-128-10	10	.212/5.38	LOOSE
192030094	C-S-128-10T	10	.212/5.38	TAPE



PARTS ON TAPE

NOTE(S):

- MATERIAL: STEEL
- WIRE SIZE: 12-10 AWG (4.0-6.0 MM<sup>2</sup>)
- FINISH: NICKEL PLATING
- PART IS ROHS COMPLIANT.
- AMBIENT OPERATING TEMPERATURE UP TO 900 °F (483 °C).

ADDED OPERATING TEMP		QUALITY SYMBOLS	GENERAL TOLERANCES (UNLESS SPECIFIED)		DIMENSION STYLE		SCALE	DESIGN UNITS	THIRD ANGLE PROJECTION
EC NO:	DATE		mm	INCH	IN/MM	INCH	INCH		
EC NO: ETC2007-0297	2007/03/13	▽=0 ▽=0	4 PLACES	± ---	IN/MM	DATE	TITLE RING TONGUE TERMINAL, 12-10 AWG, KRIMP TITE, 900 DEG F (483 DEG C)		
DRW: JHLE	2007/03/13		3 PLACES	± ---	DATE	DATE			
CHKD: JMACEIL	2007/03/13		2 PLACES	± ---	RDEROSS	2005/04/06			
APPR: JMACEIL	2007/03/14		1 PLACE	± ---	APPROVED BY	DATE			
REV	DESCRIPTION		ANGULAR	± ---°	RDEROSS	2005/04/06			
DRAFT WHERE APPLICABLE MUST REMAIN WITHIN DIMENSIONS			MATERIAL NO.		DOCUMENT NO.		SHEET NO.		
			SEE CHART		SD-19203-018		1 OF 1		
			THIS DRAWING CONTAINS INFORMATION THAT IS PROPRIETARY TO MOLEX INCORPORATED AND SHOULD NOT BE USED WITHOUT WRITTEN PERMISSION						