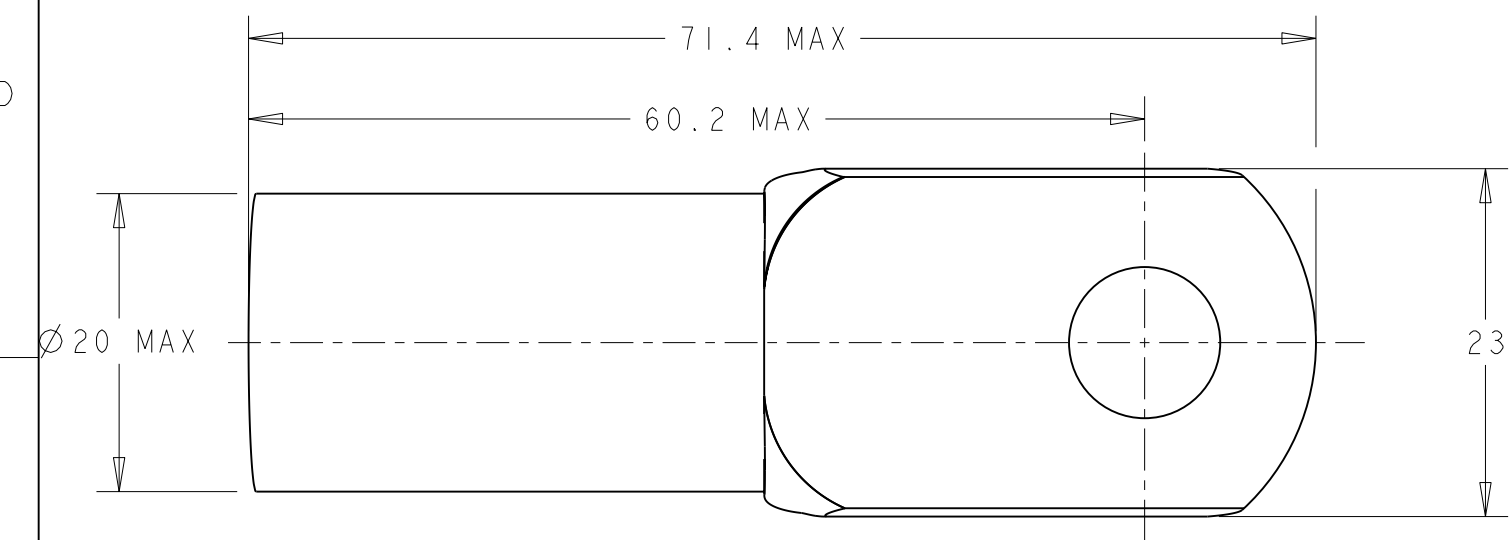


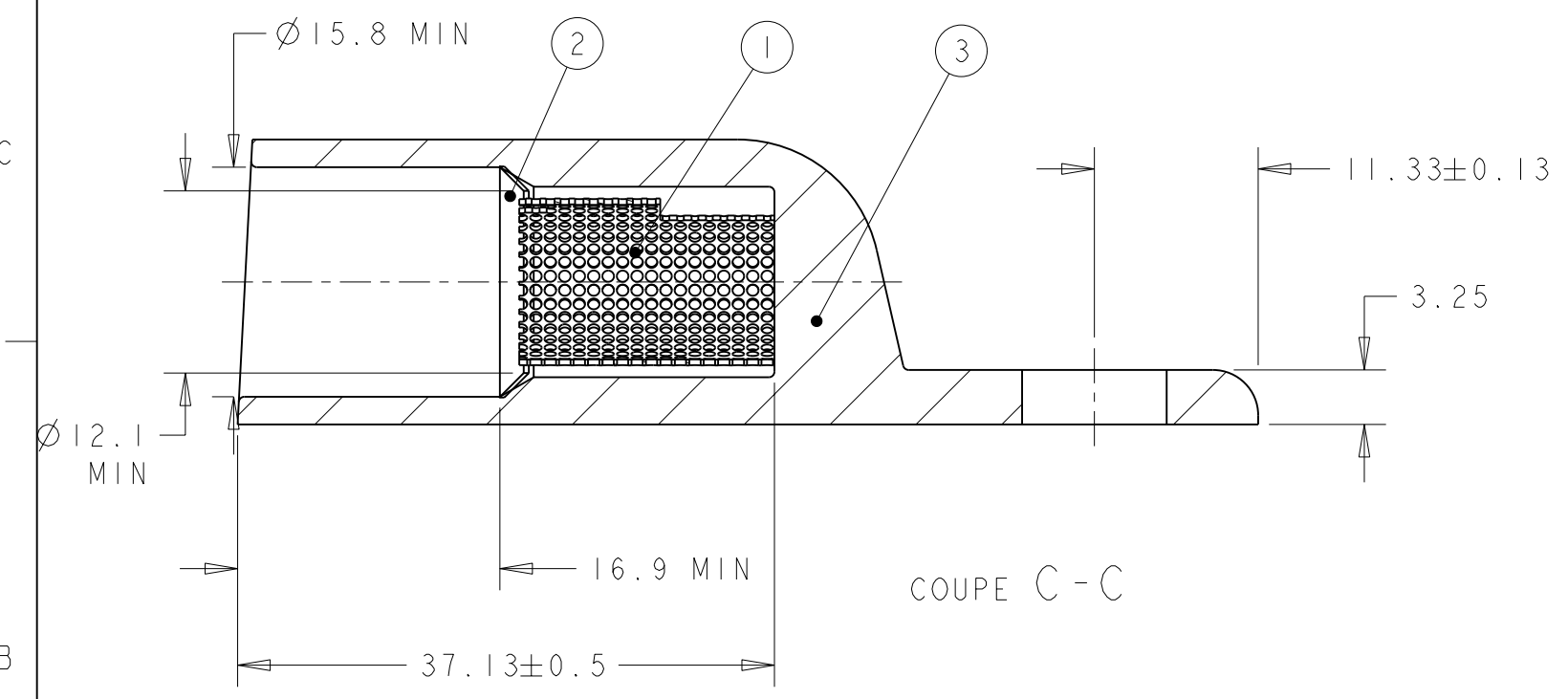
THIS DRAWING IS UNPUBLISHED. RELEASED FOR PUBLICATION 20
 © COPYRIGHT 20 BY TYCO ELECTRONICS CORPORATION. ALL RIGHTS RESERVED.

LOC	DIST	REVISIONS			
P	LTR	DESCRIPTION	DATE	DWN	APVD
F	00	H2	DRAWING CLARIFICATION PAGE 2, 3	30MAR2010	GM TdB

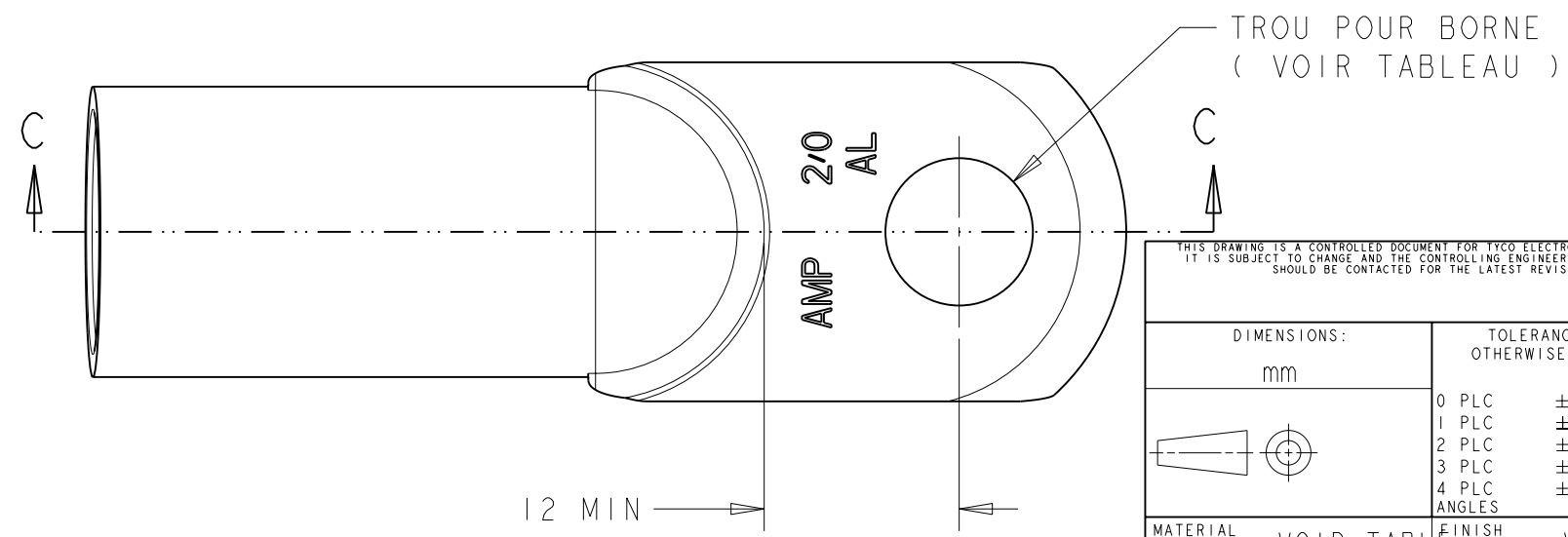


- 1 DIMENSION FIL : 119500 A 150500 CMA
- 2 ISOLANT : 12.7 / / 14 mm

MATIERE / REVETEMENT	DESIGNATION	REP.
CUIVRE ETAME	COSSE	3
LAITON NICKELE	BAGUE D'ENTREE	2
LAITON NICKELE	INSERT	1



REFERENCE	DIA BORNE	DIA TROU	POIDS
134594-1	3/8 OU M10	10.04 ± 0.04	78 gr
134594-4	1/4 OU M6	6.7 ± 0.04	80 gr
134594-3	5/16 OU M8	8.34 ± 0.04	79 gr



THIS DRAWING IS A CONTROLLED DOCUMENT FOR TYCO ELECTRONICS CORPORATION
 IT IS SUBJECT TO CHANGE AND THE CONTROLLING ENGINEERING ORGANIZATION
 SHOULD BE CONTACTED FOR THE LATEST REVISION.

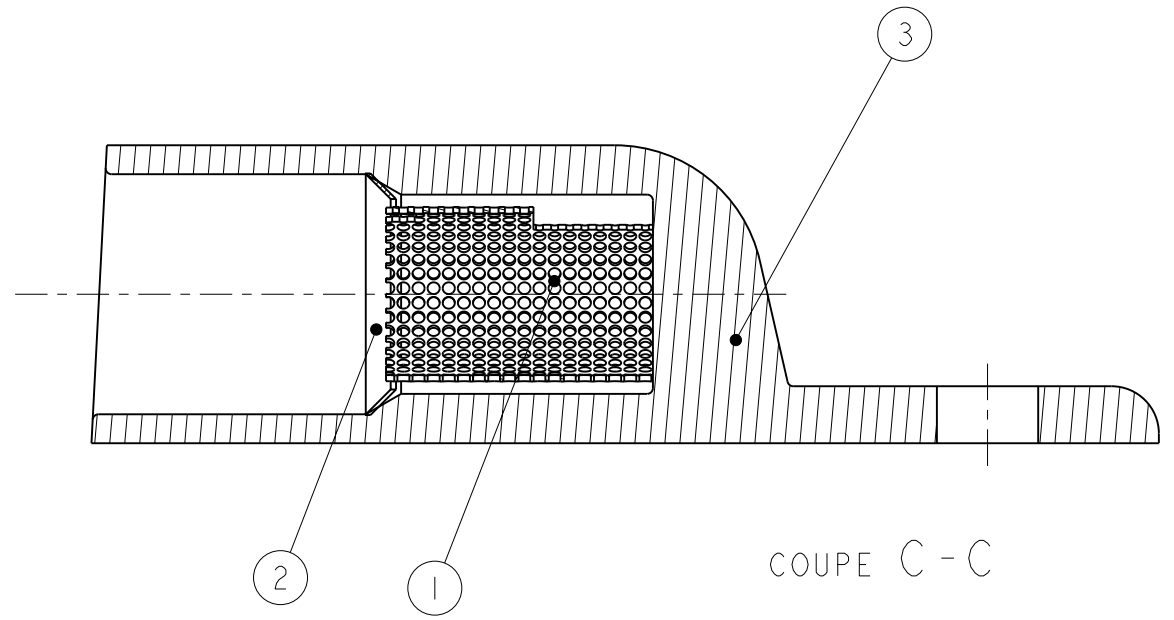
DIMENSIONS:	TOLERANCES UNLESS OTHERWISE SPECIFIED:
mm	0 PLC ±0.3
	1 PLC ±0.3
	2 PLC ±
	3 PLC ±
	4 PLC ±
	ANGLES ±5
MATERIAL	FINISH

DWN	24JUN2004
CHK	J.J. DESPRETZ
APVD	24JUN2004
Y. PETRONIN	
PRODUCT SPEC	
APPLICATION SPEC	
WEIGHT	VOIR TABLEAU
CUSTOMER DRAWING	

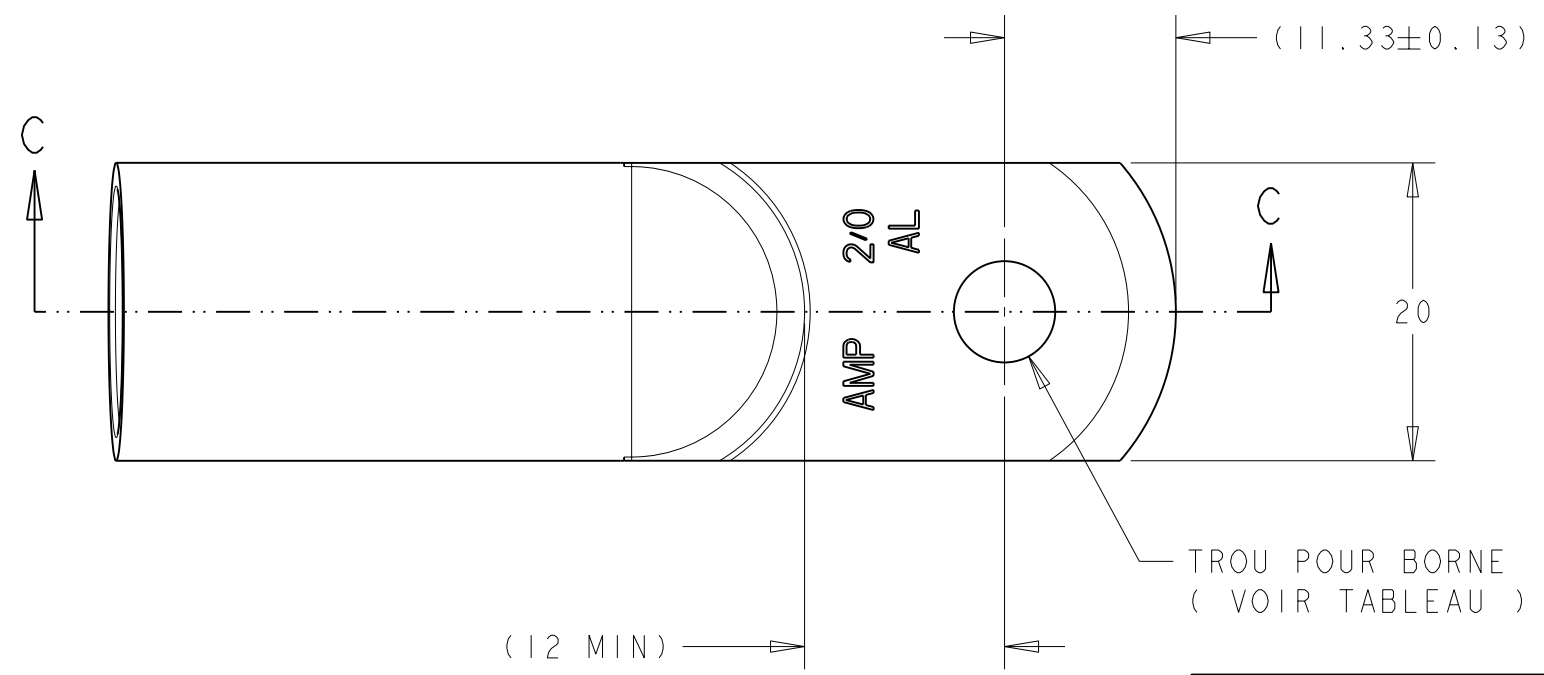
tyco Electronics		TYCO ELECTRONICS France SAS BP 30039, 95301 CERGY-PONTOISE Cedex	
NAME: SEALED COPALUM ASS'Y			
SIZE	CAGE CODE	DRAWING NO	RESTRICTED TO
A3	00779	C-134594	-
SCALE		SHEET	OF 4
		REV	H2

THIS DRAWING IS UNPUBLISHED. RELEASED FOR PUBLICATION 20
 © COPYRIGHT 20 BY TYCO ELECTRONICS CORPORATION. ALL RIGHTS RESERVED.

LOC	DIST	REVISIONS			
P	LTR	DESCRIPTION	DATE	DWN	APVD
F	00	-	SEE SHEET 1	-	-



CUIVRE ETAME	COSSE	3
LAITON NICKELE	BAGUE D'ENTREE	2
LAITON NICKELE	INSERT	1
MATIERE / REVETEMENT	DESIGNATION	REP.



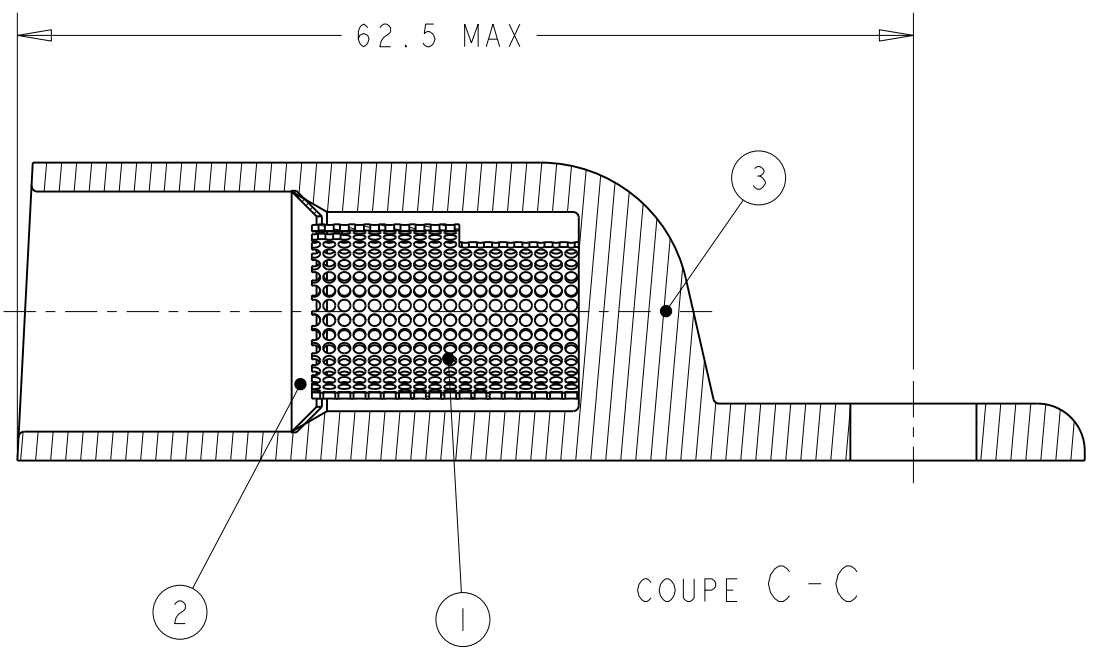
134594-2	1/4 OU M6	6.7 ± 0.04	78 gr
134594-6	5/16 OU M8	8.34 ± 0.04	77 gr
REFERENCE	DIA BORNE	DIA TROU	POIDS

THIS DRAWING IS A CONTROLLED DOCUMENT FOR TYCO ELECTRONICS CORPORATION IT IS SUBJECT TO CHANGE AND THE CONTROLLING ENGINEERING ORGANIZATION SHOULD BE CONTACTED FOR THE LATEST REVISION.

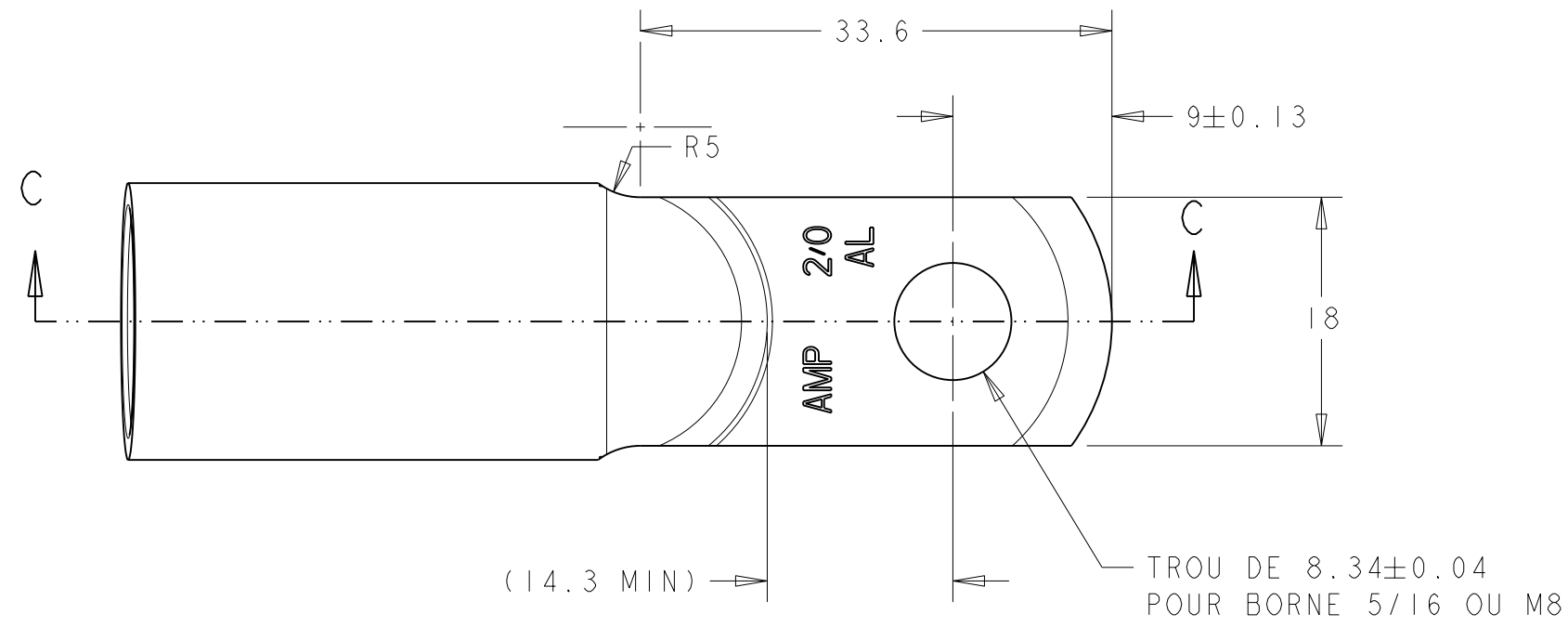
DIMENSIONS: mm	TOLERANCES UNLESS OTHERWISE SPECIFIED:	DWN 24 JUN 2004 J.J. DESPRETZ	TYCO ELECTRONICS France SAS BP 30039, 95301 CERGY-PONTOISE Cedex
	0 PLC ±0.3 1 PLC ±0.3 2 PLC ± 3 PLC ± 4 PLC ± ANGLES ±5	CHK G-ROBERT APVD 24 JUN 2004 Y. PETRONIN	
MATERIAL VOIR TABLEAU	FINISH VOIR TABLEAU	WEIGHT VOIR TABLEAU	SIZE A3 CAGE CODE 00779 DRAWING NO C-134594 RESTRICTED TO -
CUSTOMER DRAWING		SCALE 1:1	SHEET 2 OF 4 REV H2

THIS DRAWING IS UNPUBLISHED. RELEASED FOR PUBLICATION 20
 © COPYRIGHT 20 BY TYCO ELECTRONICS CORPORATION, ALL RIGHTS RESERVED.

LOC	DIST	REVISIONS			
P	LTR	DESCRIPTION	DATE	DWN	APVD
F	00	SEE SHEET 1	-	-	-



MATIERE / REVETEMENT	DESIGNATION	REP.
CUIVRE ETAME	COSSE	3
LAITON NIQUELE	BAGUE D'ENTREE	2
LAITON NIQUELE	INSERT	1

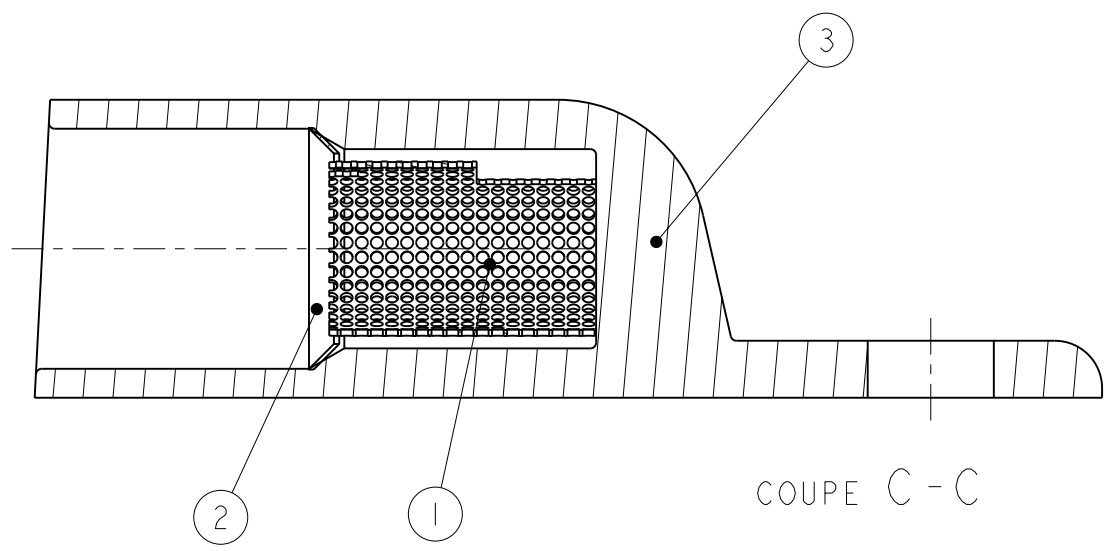


REFERENCE : 134594-5

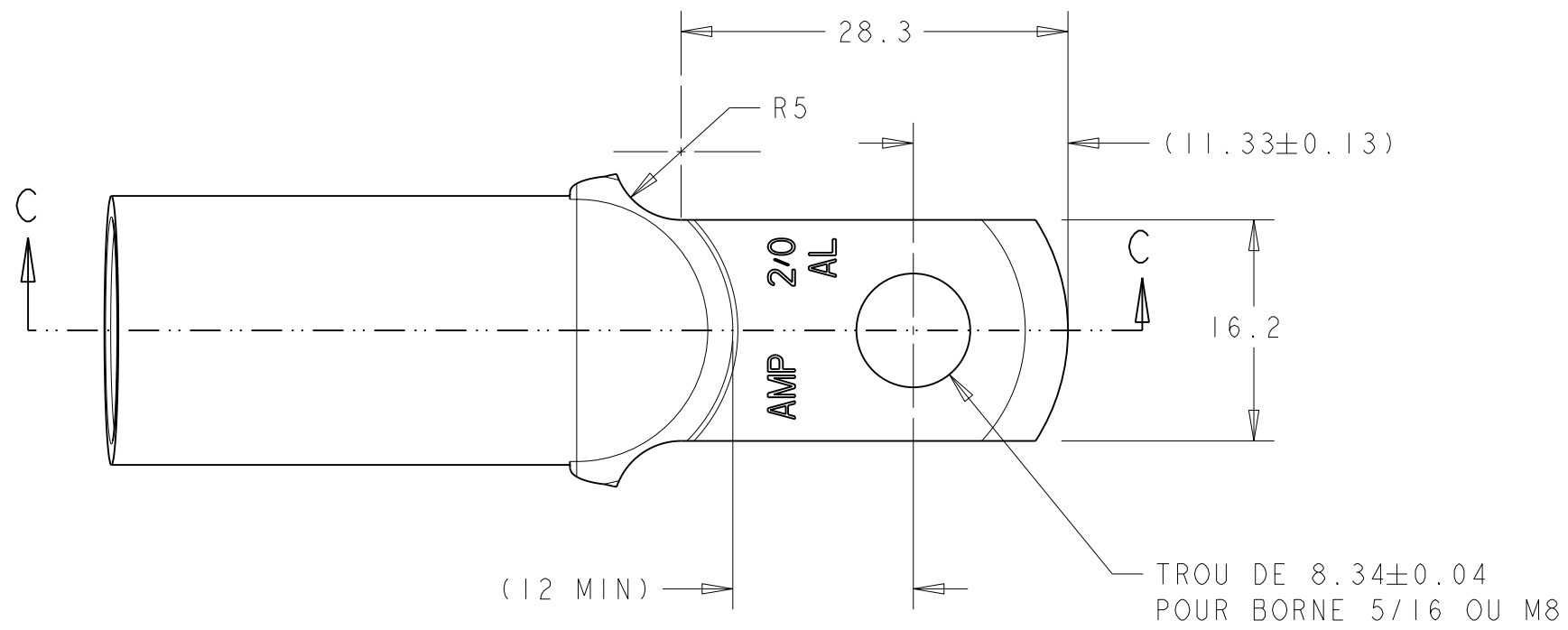
<small>THIS DRAWING IS A CONTROLLED DOCUMENT FOR TYCO ELECTRONICS CORPORATION IT IS SUBJECT TO CHANGE AND THE CONTROLLING ENGINEERING ORGANIZATION SHOULD BE CONTACTED FOR THE LATEST REVISION.</small>		DWN 24JUN2004 J.J. DESPRETZ				TYCO ELECTRONICS France SAS BP 30039, 95301 CERGY-PONTOISE Cedex	
DIMENSIONS: mm		TOLERANCES UNLESS OTHERWISE SPECIFIED: 0 PLC ±0.3 1 PLC ±0.3 2 PLC ± 3 PLC ± 4 PLC ± ANGLES ±5		CHK G-ROBERT APVD 24JUN2004 Y. PETRONIN		NAME SEALED COPALUM ASS'Y	
		MATERIAL VOIR TABLE FINISH VOIR TABLE		PRODUCT SPEC - APPLICATION SPEC -		SIZE A3 CAGE CODE 00779 DRAWING NO C-134594 RESTRICTED TO -	
CUSTOMER DRAWING				WEIGHT VOIR TABLE		SCALE 1:1 SHEET 3 OF 4 REV H2	

THIS DRAWING IS UNPUBLISHED. RELEASED FOR PUBLICATION 20
 © COPYRIGHT 20 BY TYCO ELECTRONICS CORPORATION. ALL RIGHTS RESERVED.

LOC	DIST	REVISIONS					
		P	LTR	DESCRIPTION	DATE	DWN	APVD
F	00	-	-	SEE SHEET 1	-	-	-



CUIVRE ETAME	COSSE	3
LAITON NIQUELE	BAGUE D'ENTREE	2
LAITON NIQUELE	INSERT	1
MATIERE / REVETEMENT	DESIGNATION	REP.



REFERENCE : 134594-7

<small>THIS DRAWING IS A CONTROLLED DOCUMENT FOR TYCO ELECTRONICS CORPORATION IT IS SUBJECT TO CHANGE AND THE CONTROLLING ENGINEERING ORGANIZATION SHOULD BE CONTACTED FOR THE LATEST REVISION.</small>		DWN 24JUN2004 J.J. DESPRETZ				TYCO ELECTRONICS France SAS BP 30039, 95301 CERGY-PONTOISE Cedex	
DIMENSIONS: mm		TOLERANCES UNLESS OTHERWISE SPECIFIED: 0 PLC ±0.3 1 PLC ±0.3 2 PLC ± 3 PLC ± 4 PLC ± ANGLES ±5		CHK G-ROBERT APVD 24JUN2004 Y. PETRONIN		NAME SEALED COPALUM ASS'Y	
		MATERIAL VOIR TABLE FINISH VOIR TABLE		PRODUCT SPEC - APPLICATION SPEC -		SIZE 3 CAGE CODE 00779 DRAWING NO C-134594 RESTRICTED TO -	
CUSTOMER DRAWING				WEIGHT VOIR TABLE		SCALE 2:1 SHEET 4 OF 4 REV H2	