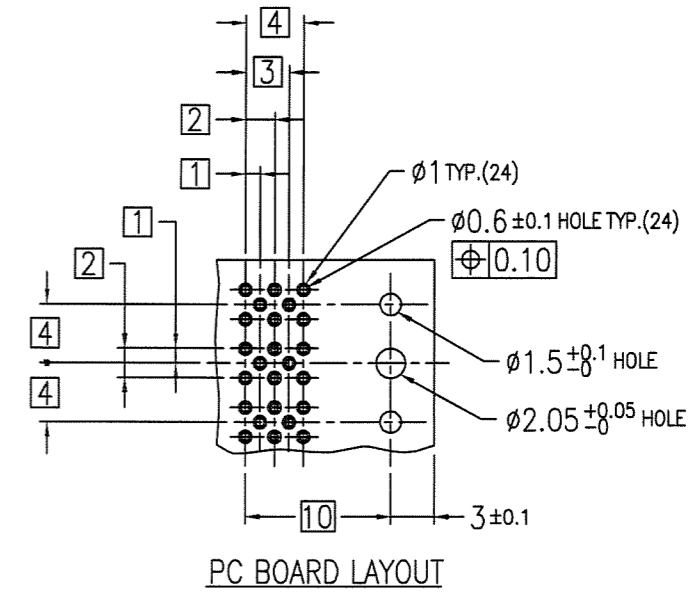
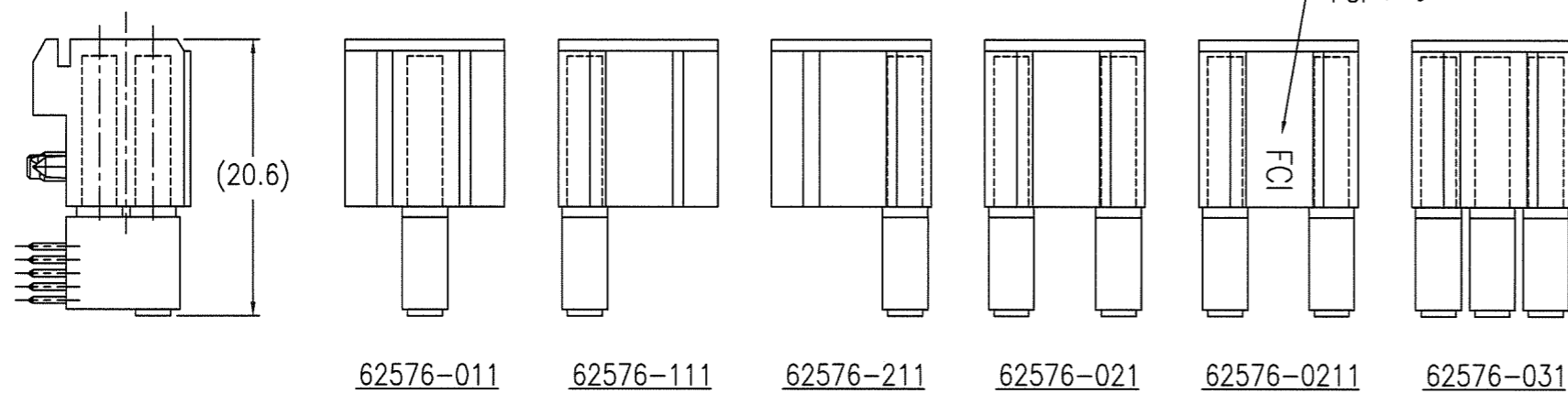


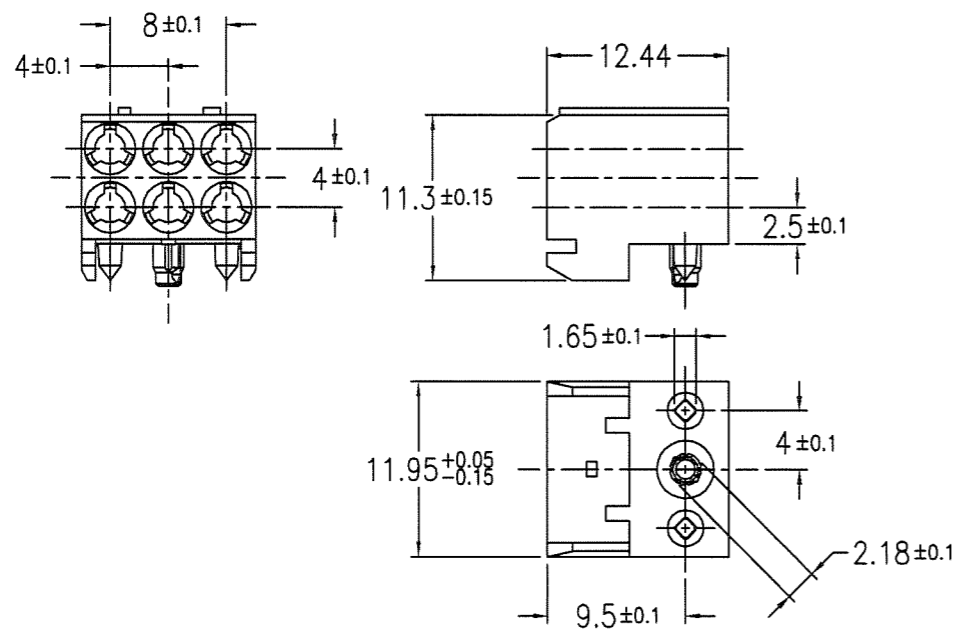
| KIT PART No. | ① HOUSING P/N | QTY. | ② CONTACT P/N | QTY. |
|--------------|---------------|------|---------------|------|
| 62576-011 | 85939-122 | 1 | 62525-101 | 1 |
| -011LF | | | -101LF | |
| 62576-111 | 85939-122 | 1 | 62525-101 | 1 |
| -111LF | | | -101LF | |
| 62576-211 | 85939-122 | 1 | 62525-101 | 1 |
| -211LF | | | -101LF | |
| 62576-021 | 85939-122 | 1 | 62525-101 | 2 |
| -021LF | | | -101LF | |
| 62576-0211 | 85939-1221 | 1 | 62525-101 | 2 |
| -0211LF | | | -101LF | |
| 62576-031 | 85939-122 | 1 | 62525-101 | 3 |
| -031LF | | | -101LF | |



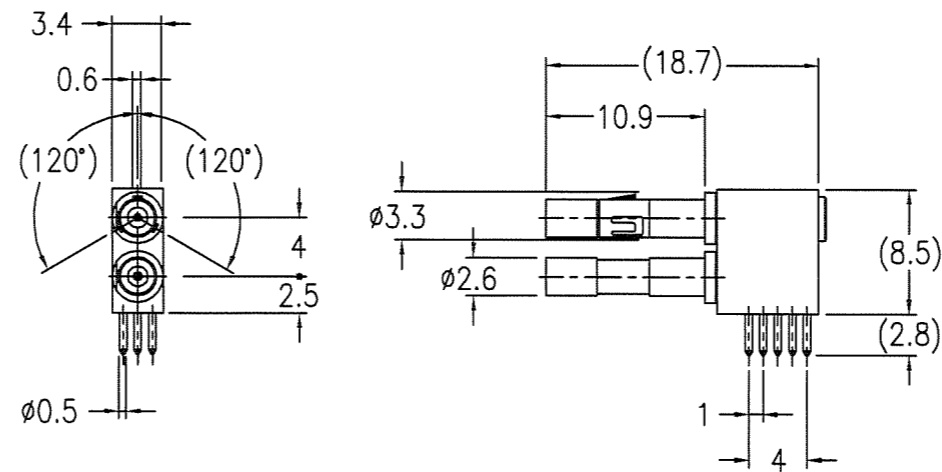
NOTE
 1. FOR LEAD FREE P/N, THE PRODUCT MEET EUROPEAN UNION DIRECTIVES AND OTHER COUNTRY REGULATIONS AS DESCRIBED IN GS-22-008
 2. THE HOUSING WILL WITHSTAND EXPOSURE TO 260°C PEAK TEMPERATURE FOR 10 SECONDS IN A CONVECTION, INFRA-RED OR VAPOR PHASE REFLOW OVEN.



① R/A FEMALE HOUSING MINI COAX PRESS PEG



② R/A FEMALE CONTACT MINI COAX



| | | | | | | | | | | | | | |
|---------------------------------------|--|----------------|--|------------------|--|----------------------------|--|------------|--|--------------------------|--|---------------------|--|
| mat'l. code | | | | surface ISO 1302 | | tolerance ISO 406 ISO 1101 | | projection | | product family METRAL | | CODE JP | |
| --- | | | | ✓ | | | | MM | | title | | | |
| tolerances unless otherwise specified | | | | linear | | 0.X ±0.2 | | MM | | METRAL MINI COAX | | | |
| angles | | | | 0°±3' | | 0.XX ±0.2 | | scale 2:1 | | R/A FEMALE CONNECTOR KIT | | | |
| D REVISION | | | | J05-0673 | | T.S | | 10/21/'05 | | dr | | Y.KODAIRA 1/14/'00 | |
| E REVISION | | | | J07-0030 | | S.O | | 1/18/'07 | | enrg | | S.OKUDAIRA 1/18/'07 | |
| | | | | | | | | | | chr | | R. Shoji 1/18/09 | |
| | | | | | | | | | | appd | | S. Okudaira 1/18/07 | |
| sheet index | | revision sheet | | | | | | | | dwg no | | sheet 1 of 1 size | |
| | | | | | | | | | | 62576 | | A3 | |
| | | | | | | | | | | type | | Customer Drawing | |
| | | | | | | | | | | | | Rev. E | |